



SINCE 1993



SMART POLE

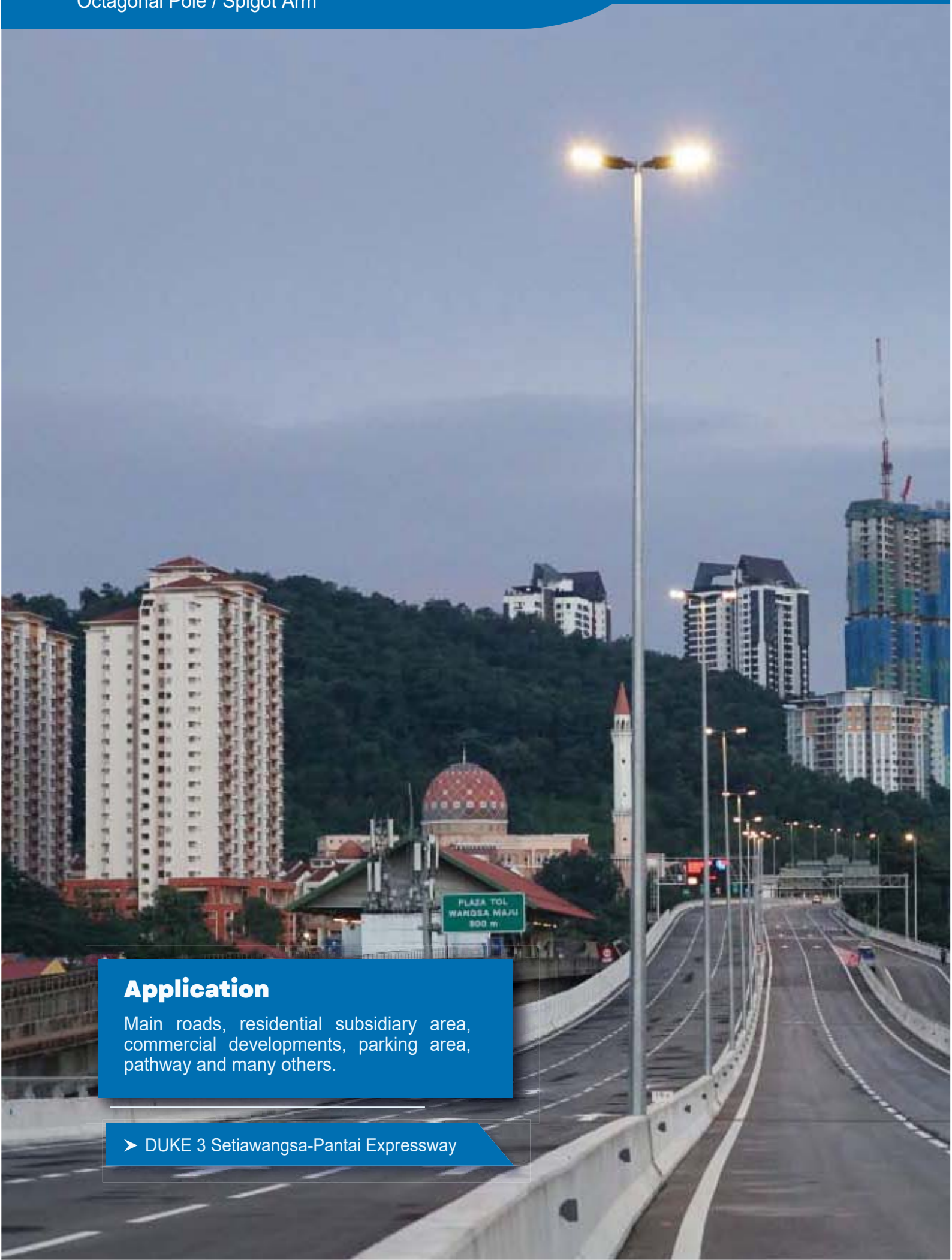
BUILD SMART POLE CITIES

www.oversealighting.com

STREET LIGHTING POLE

Octagonal Pole / Spigot Arm

1



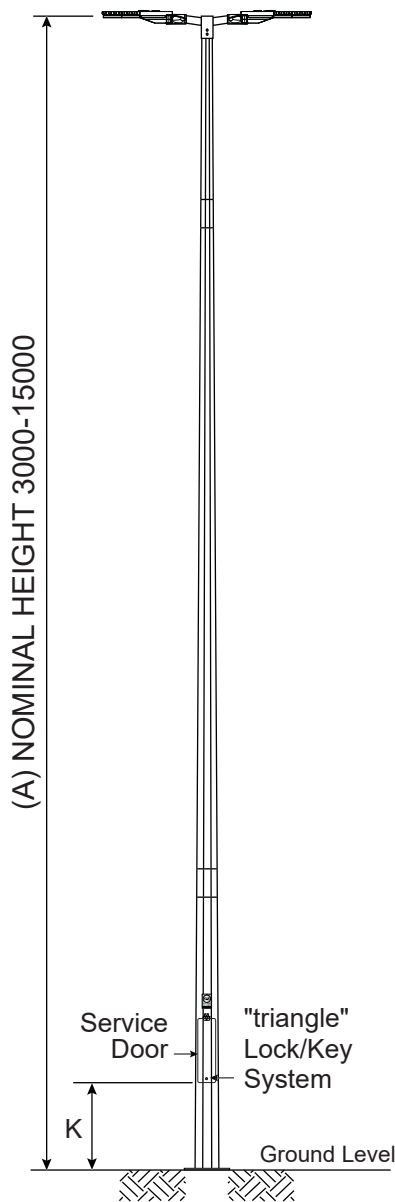
Application

Main roads, residential subsidiary area, commercial developments, parking area, pathway and many others.

➤ DUKE 3 Setiawangsa-Pantai Expressway

STREET LIGHTING POLE

Octagonal Pole / Spigot Arm / Flange Mounted Type



Single (Short Arm)	Double (Short Arm)
Spigot Size Available $\phi 33, \phi 42, \phi 48, \phi 60$	Spigot Size Available $\phi 33, \phi 42, \phi 48, \phi 60$

J-Bolt	Flange Plate x (F) Thk.

OLE 'Triangle' Lock/Key System	Service Door (Detail)

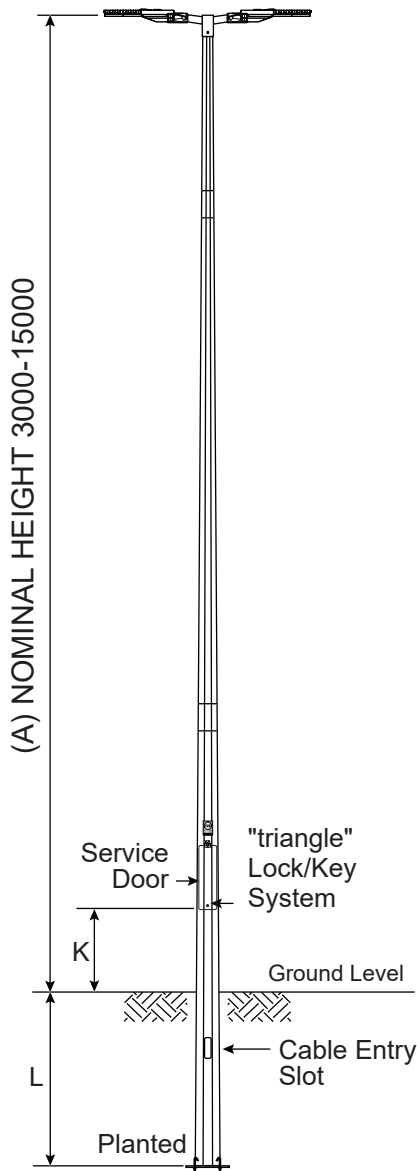
Service Door	Service Door (Side view)

2 or 3 Section Column based on Height

Height	Service Door		Flange Plate		I/J-Bolt	Grd. Lvl. to Service Door	
	A	B	C	D x E x (F) THK.	G x H	J	K
Meter	MM	MM	MM	MM	MM	MM	MM
3/4	350	90	250x195x9	20x45	$\phi 16 \times 280$ (L)	305	
5	450	90	300x220x9	20x45	$\phi 16 \times 280$ (L)	305	
6	450	90	300x220x9	25x50	$\phi 20 \times 450$ (L)	305	
7	450	90	300x220x9	25x50	$\phi 20 \times 450$ (L)	305	
8	450	90	300x220x12	25x50	$\phi 20 \times 450$ (L)	305	
9	450	100	300x220x12	25x50	$\phi 20 \times 450$ (L)	500 (1800 Optional)	
10	450	100	350x260x16	30x55	$\phi 24 \times 570$ (L)	500 (1800/2000 Optional)	
11	450	120	400x300x16	30x55	$\phi 24 \times 570$ (L)	500 (1800/2000 Optional)	
12	450	120	400x300x16	30x55	$\phi 24 \times 570$ (L)	500 (1800/2000 Optional)	
15	450	130	400x300x16	30x55	$\phi 24 \times 570$ (L)	500 (1800/2000 Optional)	

STREET LIGHTING POLE

Octagonal Pole / Spigot Arm / Planted Type



Single (Short Arm)	Double (Short Arm)
Spigot Size Available $\phi 33, \phi 42, \phi 48, \phi 60$	Spigot Size Available $\phi 33, \phi 42, \phi 48, \phi 60$

OLE 'Triangle' Lock/Key System	Hook Bolt
Service Door (Detail)	Service Door (Side view)

2 or 3 Section Column based on Height

Height	Service Door		Grd. Lvl. to Service Door	Planting Depth
A	B	C	K	L
Meter	MM	MM	MM	MM
3/4	350	90	305	600
5	450	90	305	600
6	450	90	305	1100
7	450	90	305	1200
8	450	90	305	1300
9	450	100	500 (1800 Optional)	1400
10	450	100	500 (1800/2000 Optional)	1500
11	450	120	500 (1800/2000 Optional)	1600
12	450	120	500 (1800/2000 Optional)	1700
15	450	130	500 (1800/2000 Optional)	2000



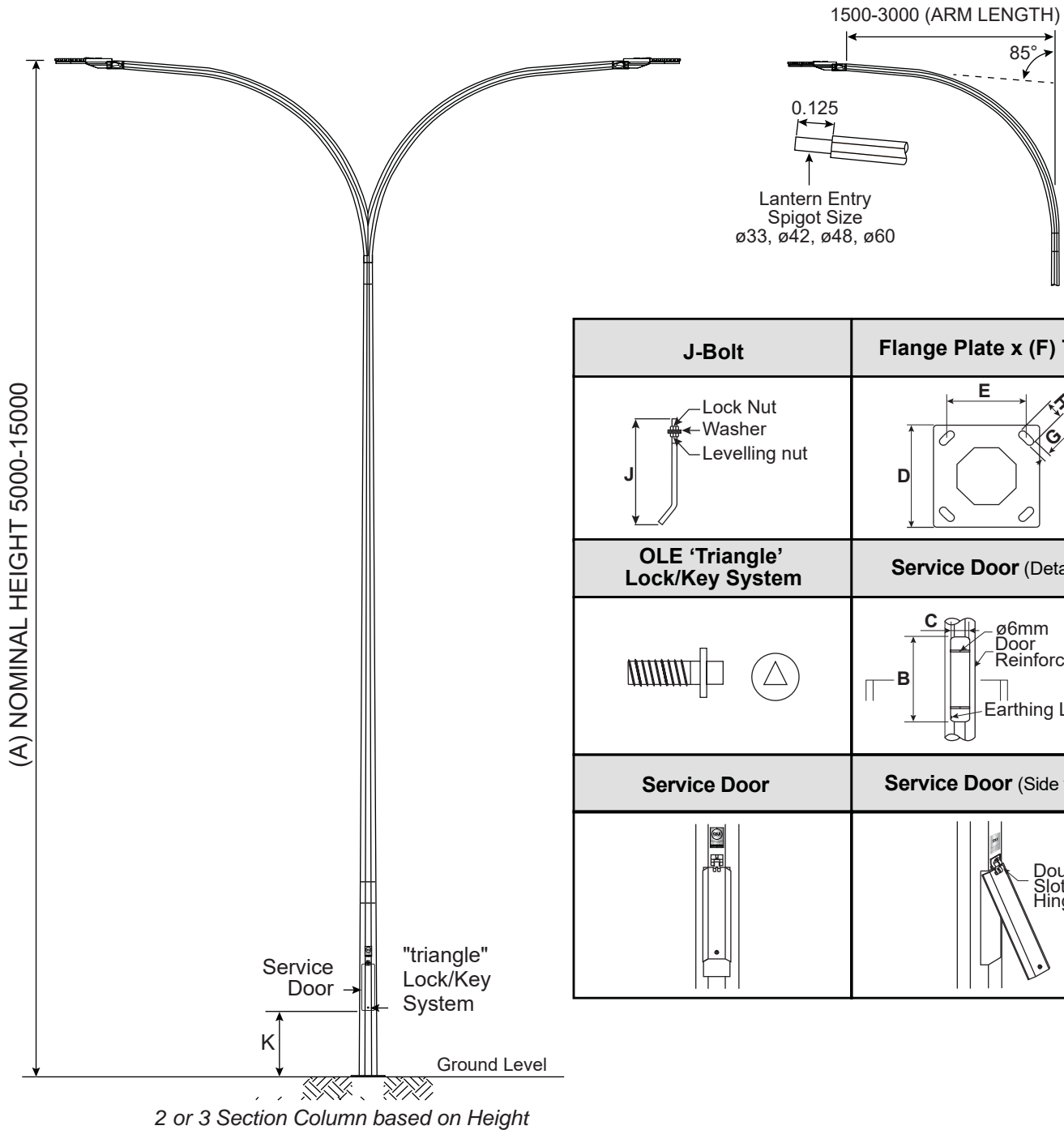
Application

Main roads, residential subsidiary area, commercial developments, parking area, pathway and many others.

➤ Pengerang, Johor

STREET LIGHTING POLE

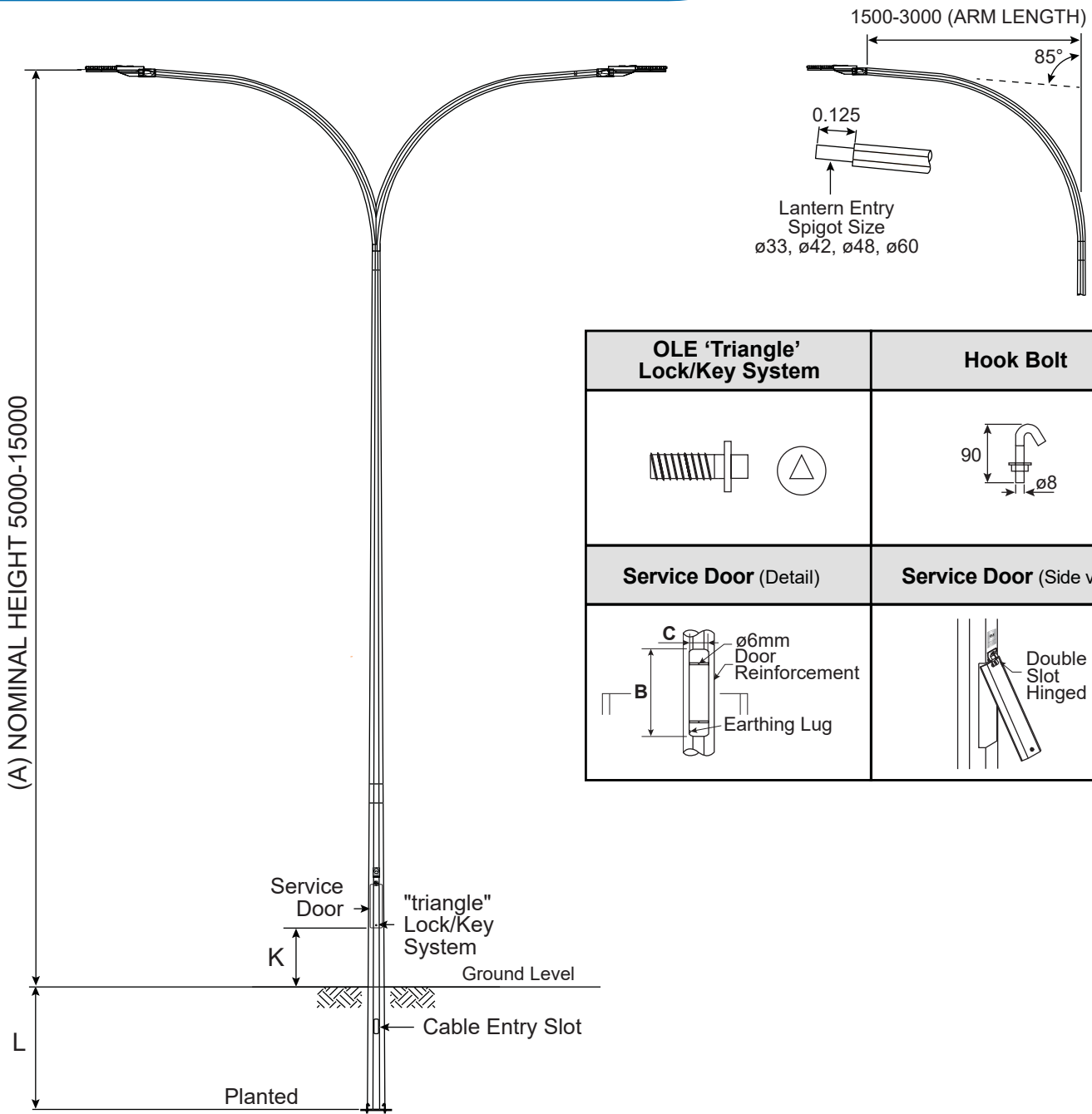
Octagonal Pole / Curve Arm / Flange Mounted Type



Height	Service Door		Flange Plate		I/J-Bolt	Grd. Lvl. to Service Door	
	A	B	C	D x E x (F) THK.	G x H	J	K
Meter	MM	MM	MM	MM	MM	MM	MM
6	450	90	300x220x9	25x50	ø20x450 (L)	305	
7	450	90	300x220x9	25x50	ø20x450 (L)	305	
8	450	90	300x220x12	25x50	ø20x450 (L)	305	
9	450	100	300x220x12	25x50	ø20x450 (L)	500 (1800 Optional)	
10	450	100	350x260x16	30x55	ø24x570 (L)	500 (1800/2000 Optional)	
11	450	120	400x300x16	30x55	ø24x570 (L)	500 (1800/2000 Optional)	
12	450	120	400x300x16	30x55	ø24x570 (L)	500 (1800/2000 Optional)	
15	450	130	400x300x16	30x55	ø24x570 (L)	500 (1800/2000 Optional)	

STREET LIGHTING POLE

Octagonal Pole / Curve Arm / Planted Type



OLE 'Triangle' Lock/Key System	Hook Bolt
Service Door (Detail)	Service Door (Side view)

2 or 3 Section Column based on Height

Height	Service Door		Grd. Lvl. to Service Door	Planting Depth
	B	C		
Meter	MM	MM	MM	MM
6	450	90	305	1100
7	450	90	305	1200
8	450	90	305	1300
9	450	100	500 (1800 Optional)	1400
10	450	100	500 (1800/2000 Optional)	1500
11	450	120	500 (1800/2000 Optional)	1600
12	450	120	500 (1800/2000 Optional)	1700
15	450	130	500 (1800/2000 Optional)	2000



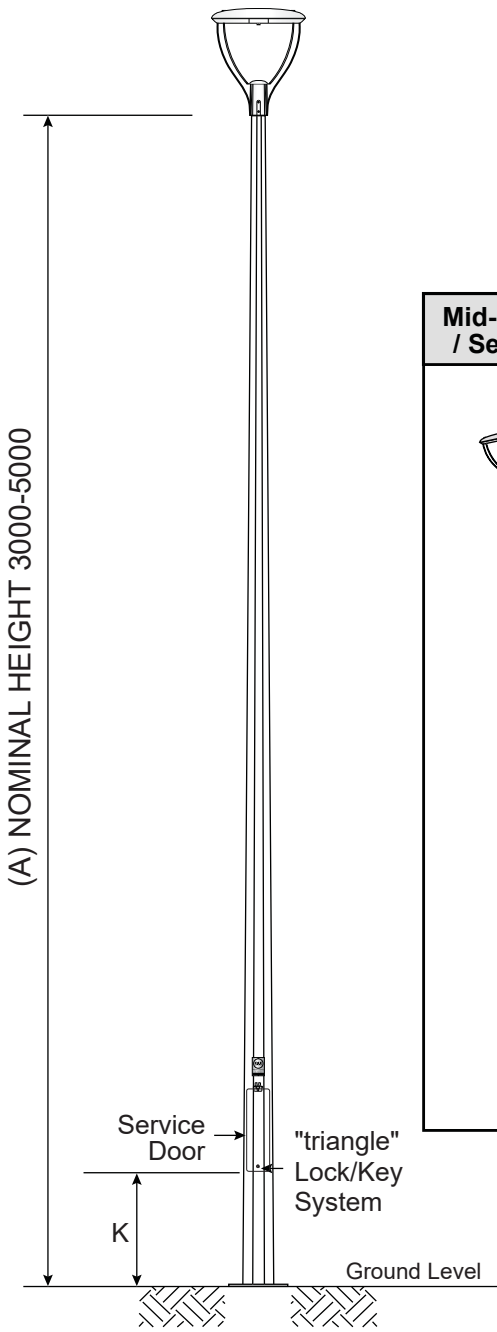
Application

Residential subsidiary area, pedestrian walkway, car park and others. The pole suits all types of post-top mounted fitting including customized decorative lantern.

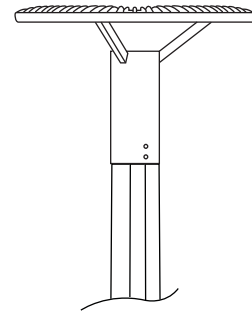
➤ Tropicana Grande, Selangor, Malaysia

COMPOUND LIGHTING POLE

Octagonal Pole / Compound Light / Flange Mounted Type



ø60/ø76

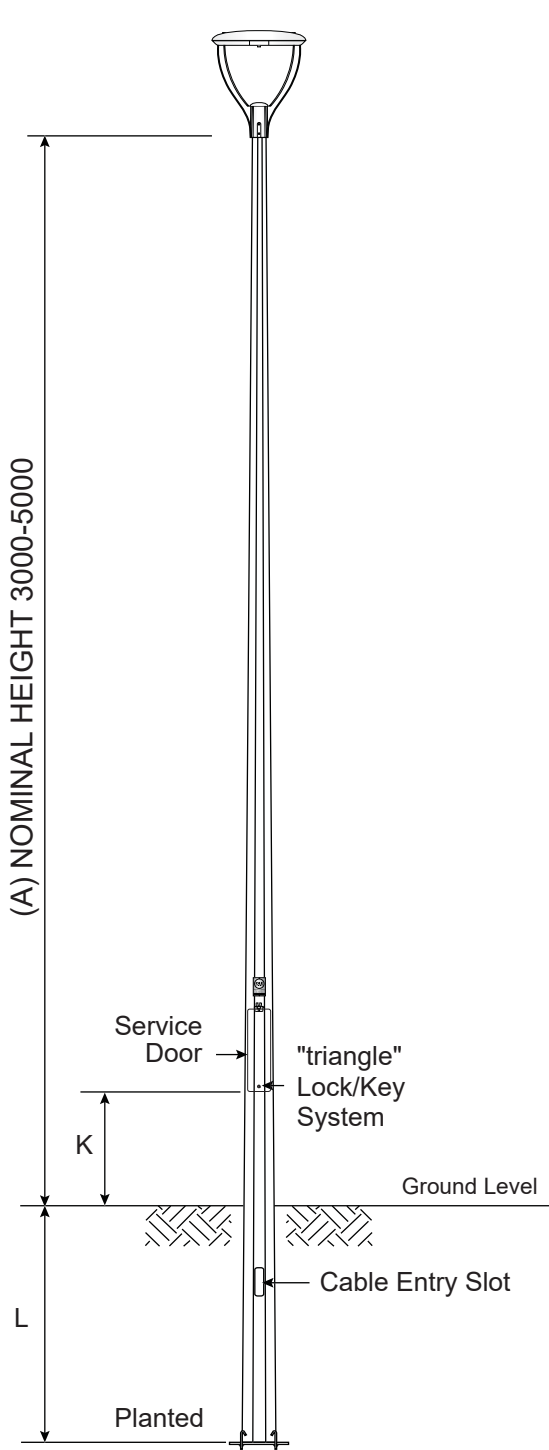


<p>Mid-Hinged Pole / See Saw Pole</p>	<p>J-Bolt</p>	<p>Flange Plate x (F) Thk.</p>
	<p>OLE 'Triangle' Lock/Key System</p>	<p>Service Door (Detail)</p>
	<p>Service Door</p>	<p>Service Door (Side view)</p> <p>Double Slot Hinged</p>

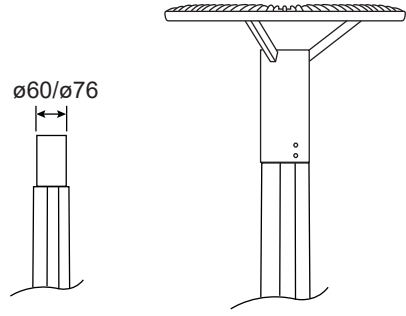
Height	Service Door		Flange Plate	Bolt x Bolt Lgth	Grd. Lvl. to Service Door
A	B	C	D x E x (F) THK.	GxJ	K
Meter	MM	MM	MM	MM	MM
3	350	90	250x195x9	16x280	305
3.5	350	90	250x195x9	16x280	305
4	350	90	250x195x9	16x280	305
4.5	350	90	300x220x9	16x280	305
5	350	90	300x220x9	16x280	305

COMPOUND LIGHTING POLE

Octagonal Pole / Compound Light / Planted Mounted Type



ø60/ø76



OLE 'Triangle' Lock/Key System	Hook Bolt
Service Door (Detail)	Service Door (Side view)

Height	Service Door		Grd. Lvl. to Service Door	Planting Depth
A	B	C	K	L
Meter	MM	MM	MM	MM
3	350	90	305	600
3.5	350	90	305	600
4	350	90	305	600
4.5	350	90	305	600
5	350	90	305	600



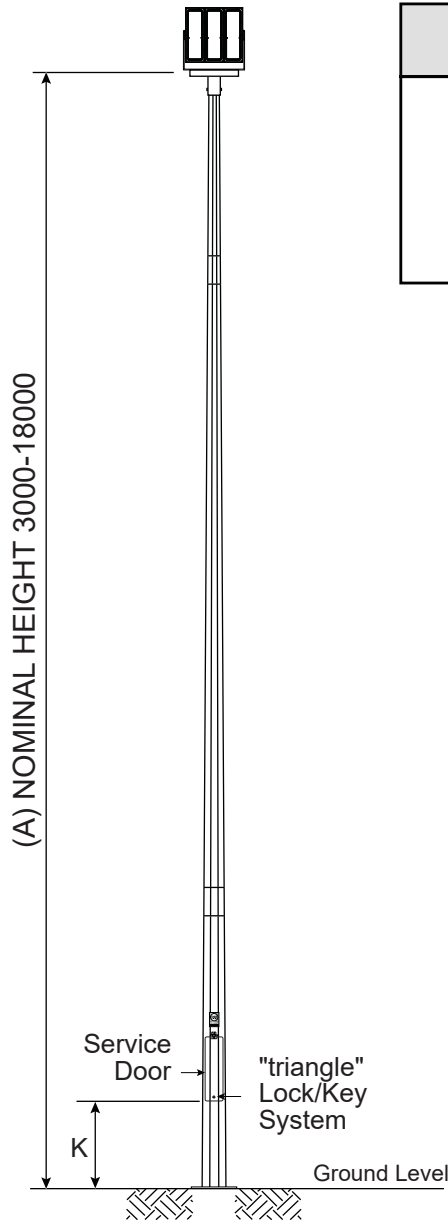
Application

Main roads, residential subsidiary area, commercial developments, parking area, pathway and others. Head-Frame brackets are customized to suit different purpose

➤ Jalan Sri Pelangi, Johor, Malaysia

FLOODLIGHT LIGHTING POLE

Octagonal Pole / Floodlight / Flange Type

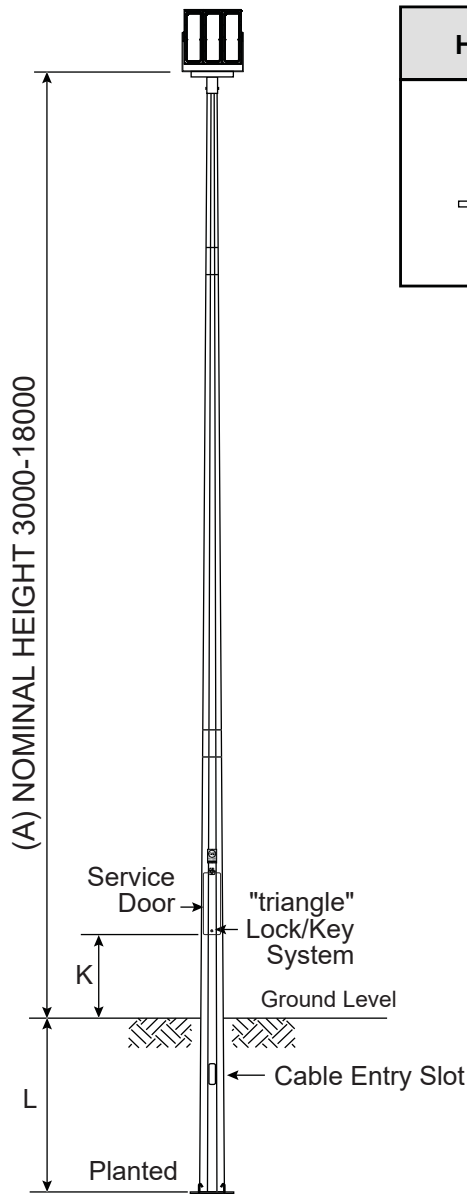


2 or 3 Section Column based on Height

HF - 1	HF - 2	HF - 3	HF4	Round HF

<p>J-Bolt</p>	<p>Flange Plate x (F) Thk.</p>
<p>OLE 'Triangle' Lock/Key System</p>	<p>Service Door (Detail)</p>
<p>Service Door</p>	<p>Service Door (Side view)</p>

Height	Service Door		Flange Plate		I/J-Bolt	Grd. Lvl. to Service Door	
	A	B	C	D x E x (F) THK.	G x H	J	K
Meter	MM	MM	MM	MM	MM	MM	MM
3/4	350	90	250x195x9	20x45	ø16x280 (L)	305	
5	450	90	300x220x9	20x45	ø16x280 (L)	305	
6	450	90	300x220x9	25x50	ø20x450 (L)	305	
7	450	90	300x220x9	25x50	ø20x450 (L)	305	
8	450	90	300x220x12	25x50	ø20x450 (L)	305	
9	450	100	300x220x12	25x50	ø20x450 (L)	500 (1800 Optional)	
10	450	100	350x260x16	30x55	ø24x570 (L)	500 (1800/2000 Optional)	
12	450	120	400x300x16	30x55	ø24x570 (L)	500 (1800/2000 Optional)	

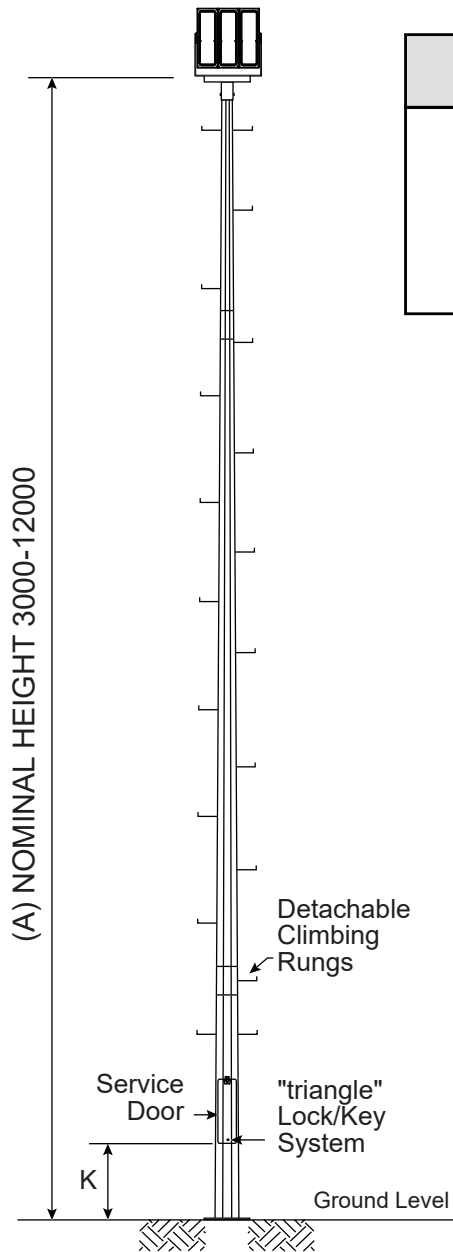


HF - 1	HF - 2	HF - 3	HF4	Round HF

OLE 'Triangle' Lock/Key System	Hook Bolt
Service Door (Detail)	Service Door (Side view)

2 or 3 Section Column based on Height

Height	Service Door		Grd. Lvl. to Service Door	Planting Depth	
	A	B	C	K	L
Meter	MM	MM	MM	MM	MM
3/4	350	90	305	600	
5	450	90	305	600	
6	450	90	305	1100	
7	450	90	305	1200	
8	450	90	305	1300	
9	450	100	500 (1800 Optional)	1400	
10	450	100	500 (1800/2000 Optional)	1500	
12	450	120	500 (1800/2000 Optional)	1700	

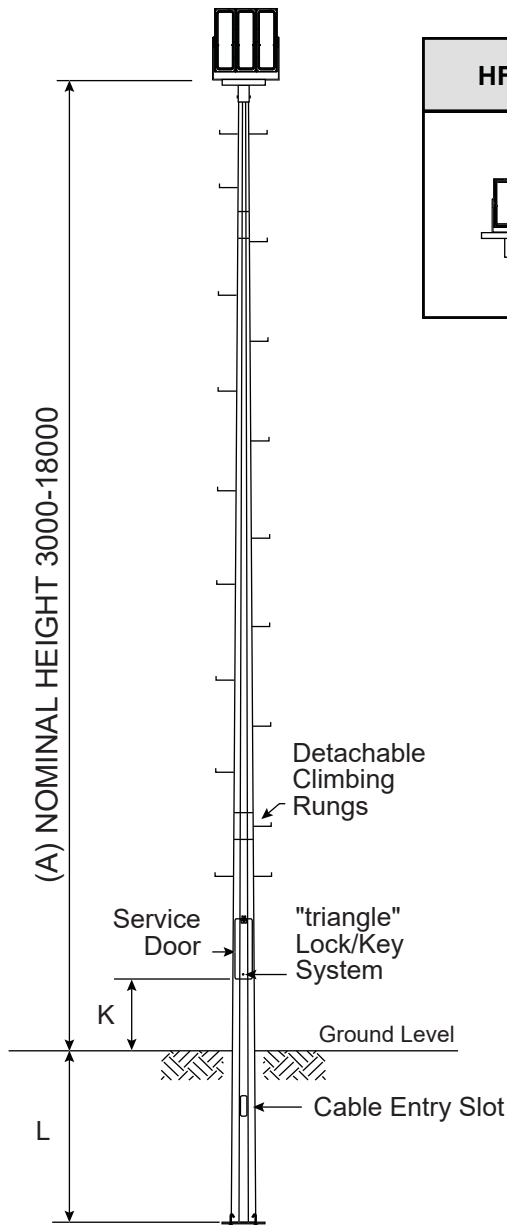


HF - 1	HF - 2	HF - 3	HF4	Round HF

J-Bolt 	Flange Plate x (F) Thk.
OLE 'Triangle' Lock/Key System 	Service Door (Detail)
Service Door 	Service Door (Side view)

Climbing rungs column equipped with detachable or welded 'Z' shaped climbing rungs (brackets), enabling maintenance work without the need of lifting equipment.

Height	Service Door		Flange Plate		I/J-Bolt	Grd. Lvl. to Service Door	
	A	B	C	D x E x (F) THK.	G x H	J	K
Meter	MM	MM	MM	MM	MM	MM	MM
3/4	450	90	300x220x9	20x45	ø16x280 (L)	305	
5	450	90	300x220x9	25x50	ø20x450 (L)	305	
6	450	90	300x220x9	25x50	ø20x450 (L)	305	
7	450	90	300x220x12	25x50	ø20x450 (L)	305	
8	450	100	300x220x12	25x50	ø20x450 (L)	500 (1800 Optional)	
9	450	100	350x260x16	30x55	ø24x570 (L)	500 (1800/2000 Optional)	
10	450	120	400x300x16	30x55	ø24x570 (L)	500 (1800/2000 Optional)	
12	450	120	400x300x16	30x55	ø24x570 (L)	500 (1800/2000 Optional)	



HF - 1	HF - 2	HF - 3	HF4	Round HF

OLE 'Triangle' Lock/Key System	Hook Bolt
Service Door (Detail)	Service Door (Side view)

Climbing rungs column equipped with detachable or welded 'Z' shaped climbing rungs (brackets), enabling maintenance work without the need of lifting equipment.

2 or 3 Section Column based on Height

Height	Service Door		Grd. Lvl. to Service Door	Planting Depth
A	B	C	K	L
Meter	MM	MM	MM	MM
3/4	450	90	305	1000
5	450	90	305	1100
6	450	90	305	1200
7	450	90	305	1300
8	450	100	500 (1800 Optional)	1400
9	450	100	500 (1800/2000 Optional)	1500
10	450	120	500 (1800/2000 Optional)	1700
12	450	120	500 (1800/2000 Optional)	1700



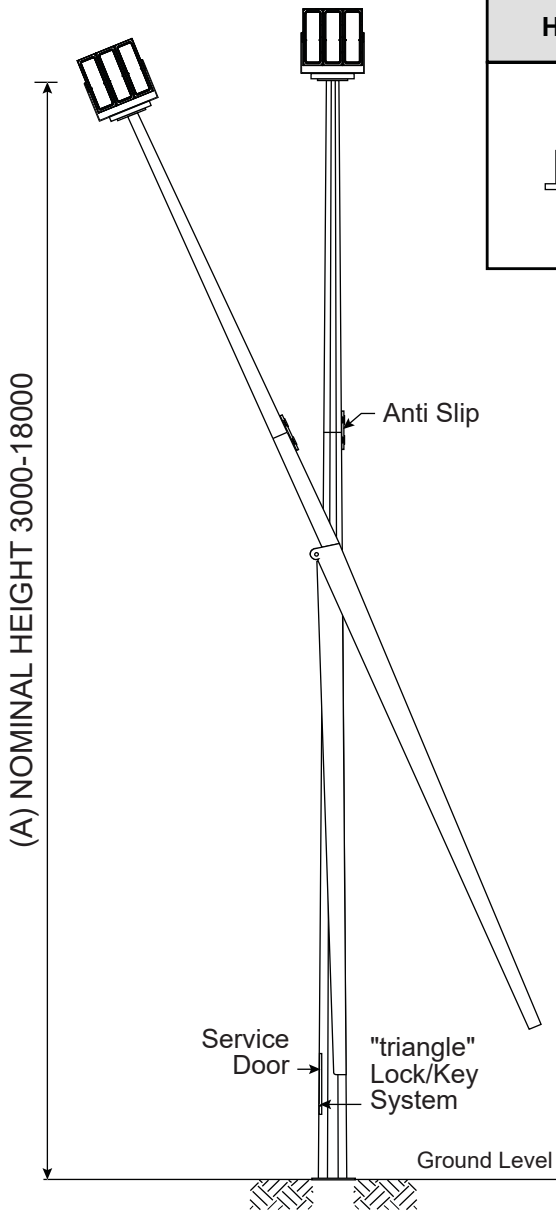
Application

Sport court, residential subsidiary area, commercial developments, pathway and many others. It has made possible maintenance without lifting machineries.

➤ Telok Panglima Garang, Selangor

MID-HINGE LIGHTING POLE

See Saw Pole / Flange Mounted Type



HF - 1	HF - 2	HF - 3	HF4	Round HF

J-Bolt 	Flange Plate x (F) Thk.
OLE 'Triangle' Lock/Key System 	Service Door (Detail)
Service Door 	Service Door (Side view)

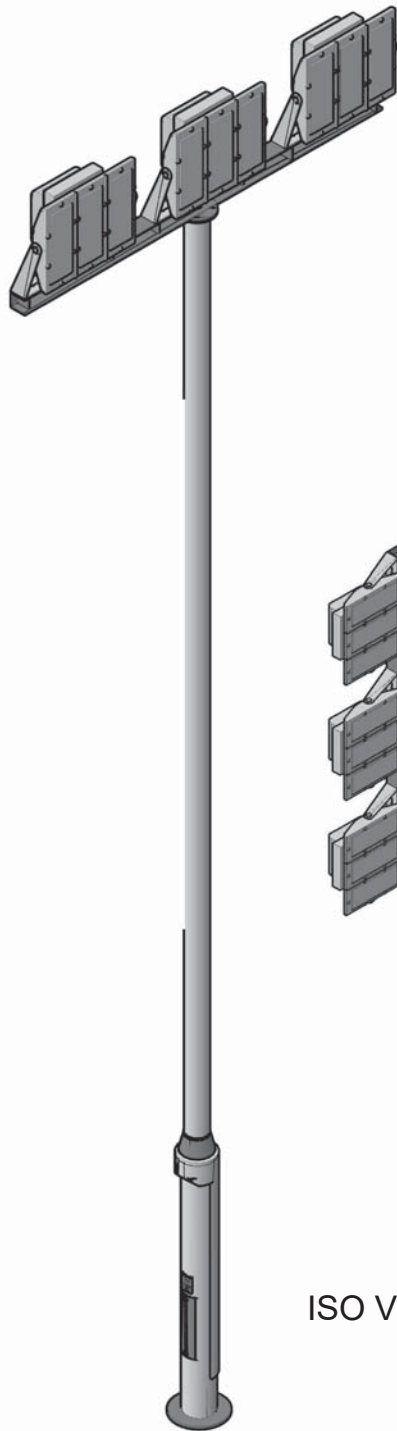
Mid-hinged column also know as sea-saw pole is a type of pole with hinged mechanism enabling the pole to swing down for maintenance to be performed at ground level.

Height	Flange Plate		J-Bolt
	D x E x (F) THK.	G x H	J
Meter	MM	MM	MM
3/4	250x195x9	20x45	ø16x280 (L)
5	300x220x9	20x45	ø16x280 (L)
6	300x220x9	25x50	ø20x450 (L)
7	300x220x9	25x50	ø20x450 (L)
8	300x220x12	25x50	ø20x450 (L)
9	300x220x12	25x50	ø20x450 (L)
10	350x260x16	30x55	ø24x570 (L)
12	400x300x16	30x55	ø24x570 (L)

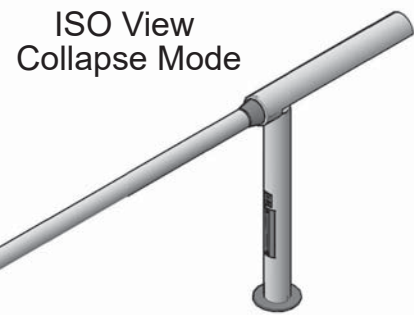
CIRCULAR HOLLOW HINGE LIGHTING POLE

Circular Hollow Hinge Column Pole / Flange Mounted Type

Applicable height with 6M-18M



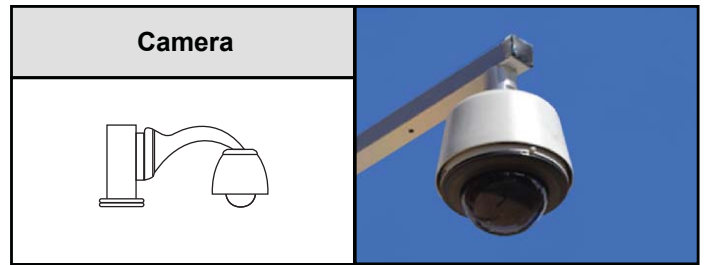
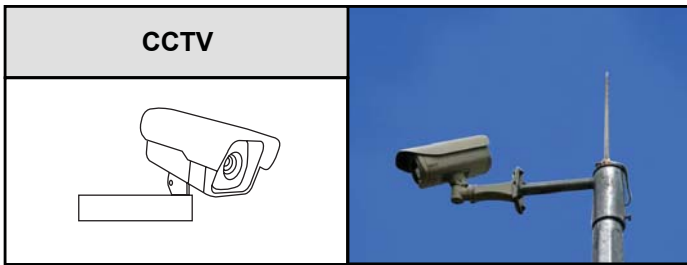
ISO View Assy.



ISO View
Collapse Mode

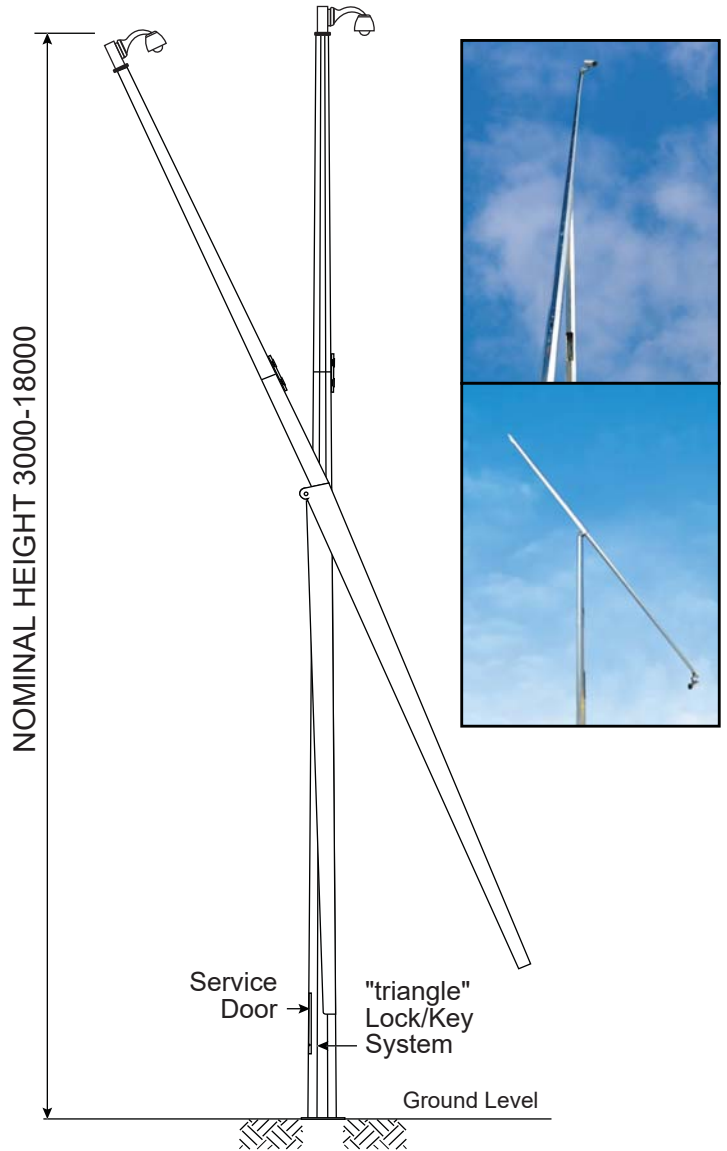
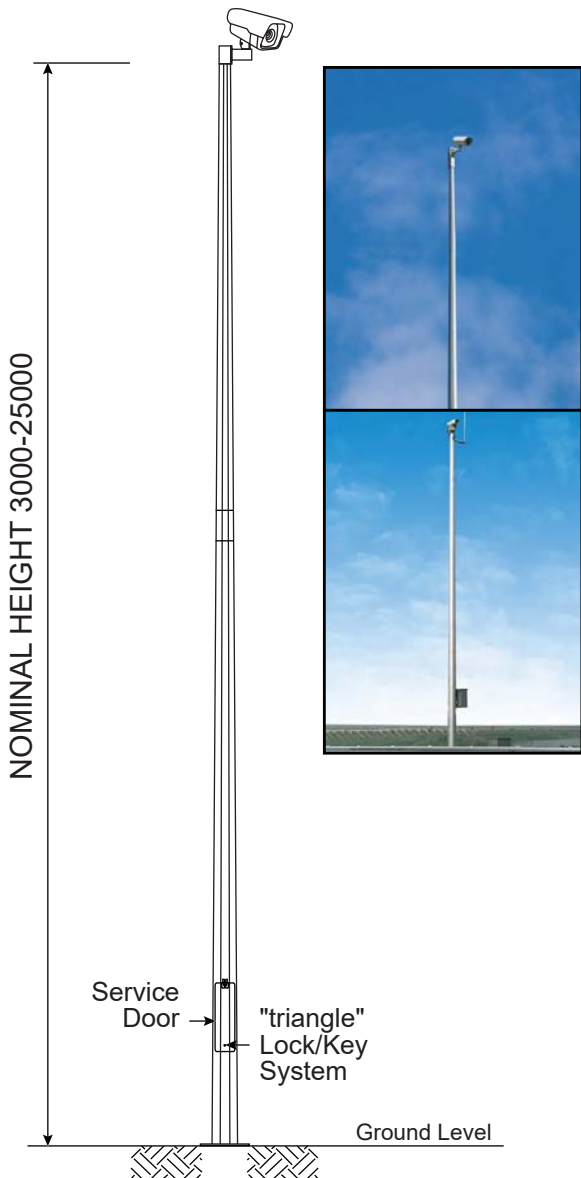


ISO View
Service Door



Octagonal Pole

Mid-Hinged Pole / See Saw Pole





Application

Stadium, sport area, car park area.

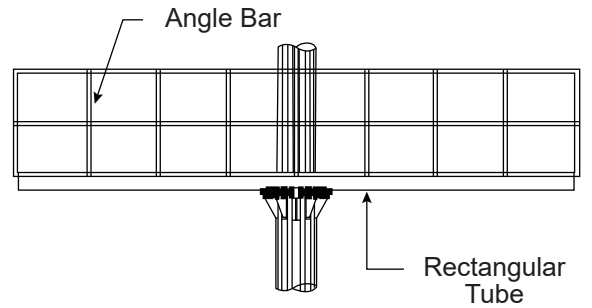
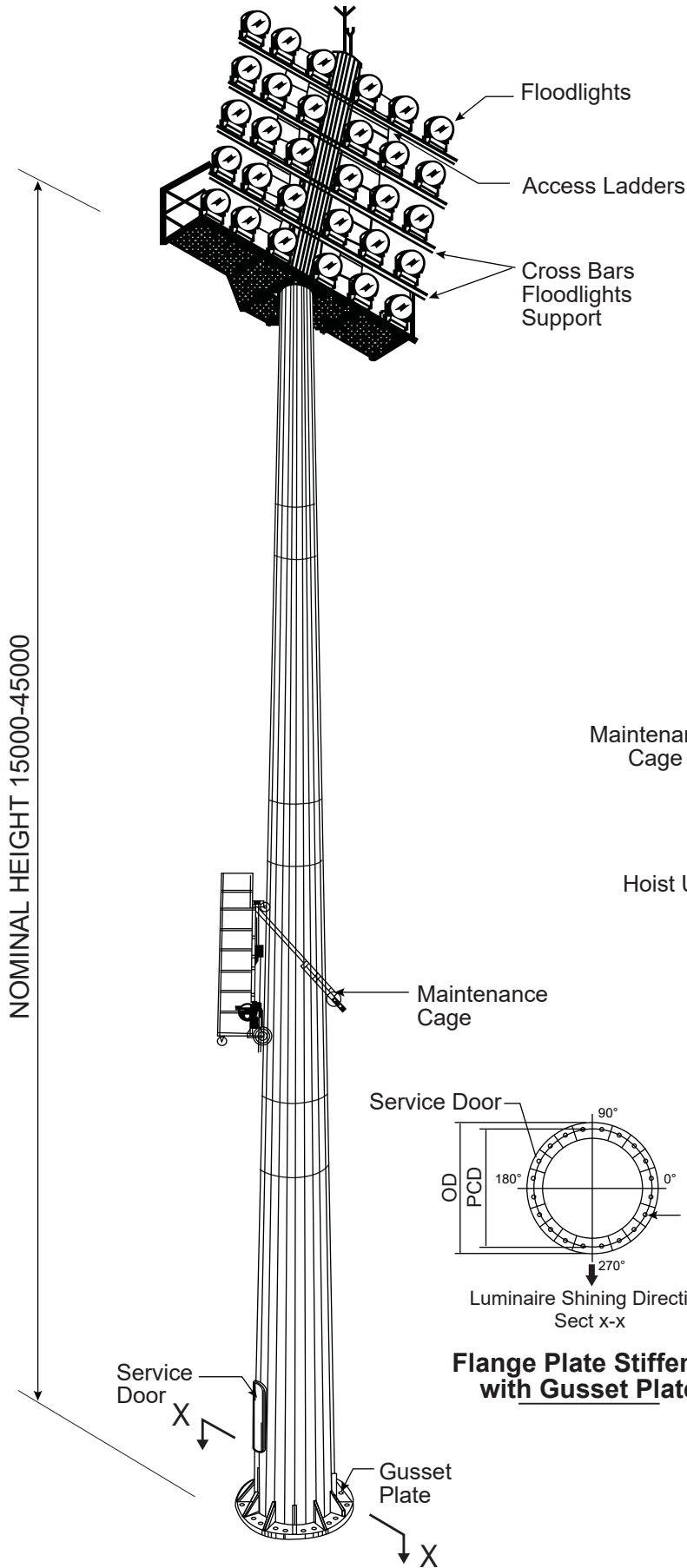
➤ Stadium Sultan Sulaiman, Klang, Selangor

STADIUM MAST POLE

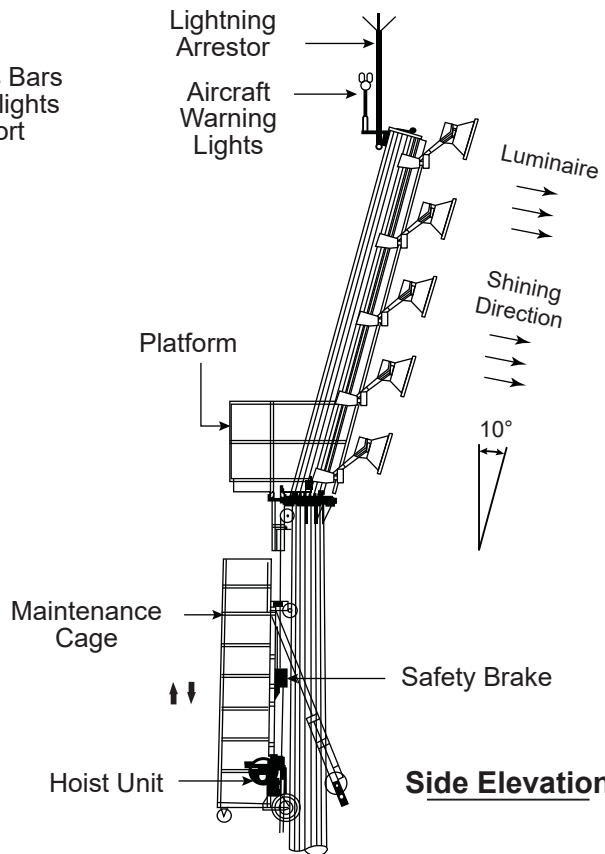
Stadium Mast

Application

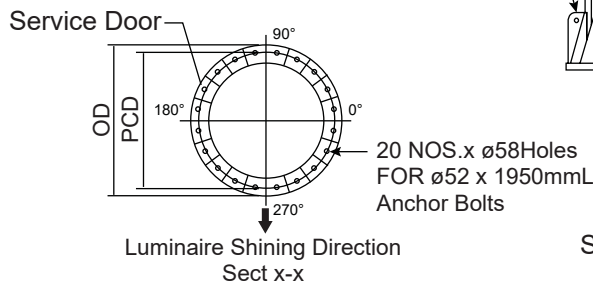
Stadium, Sports Centre



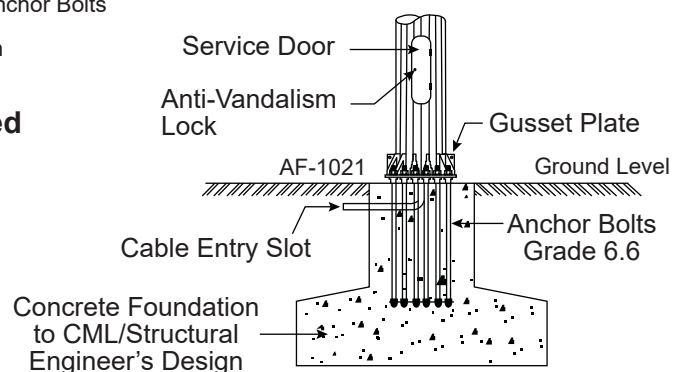
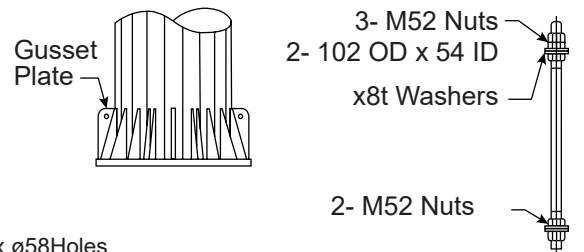
Platform Elevation



Side Elevation

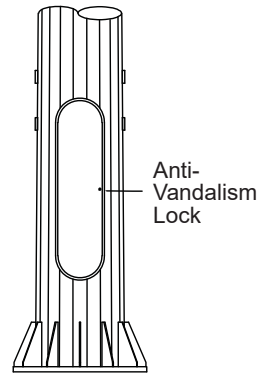
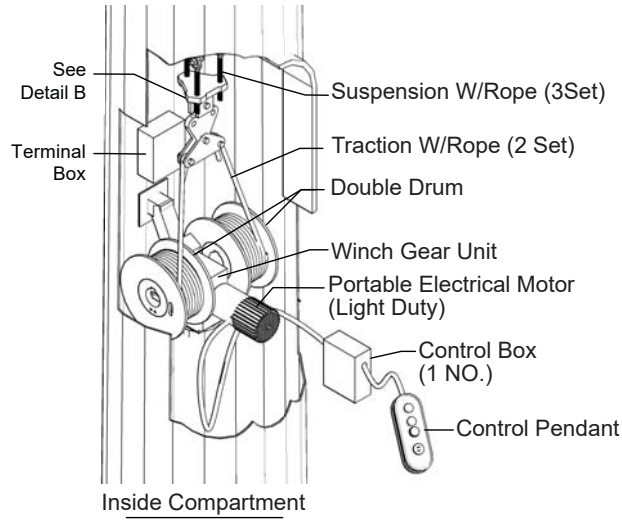
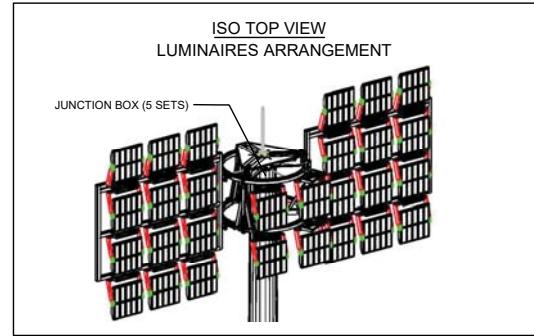
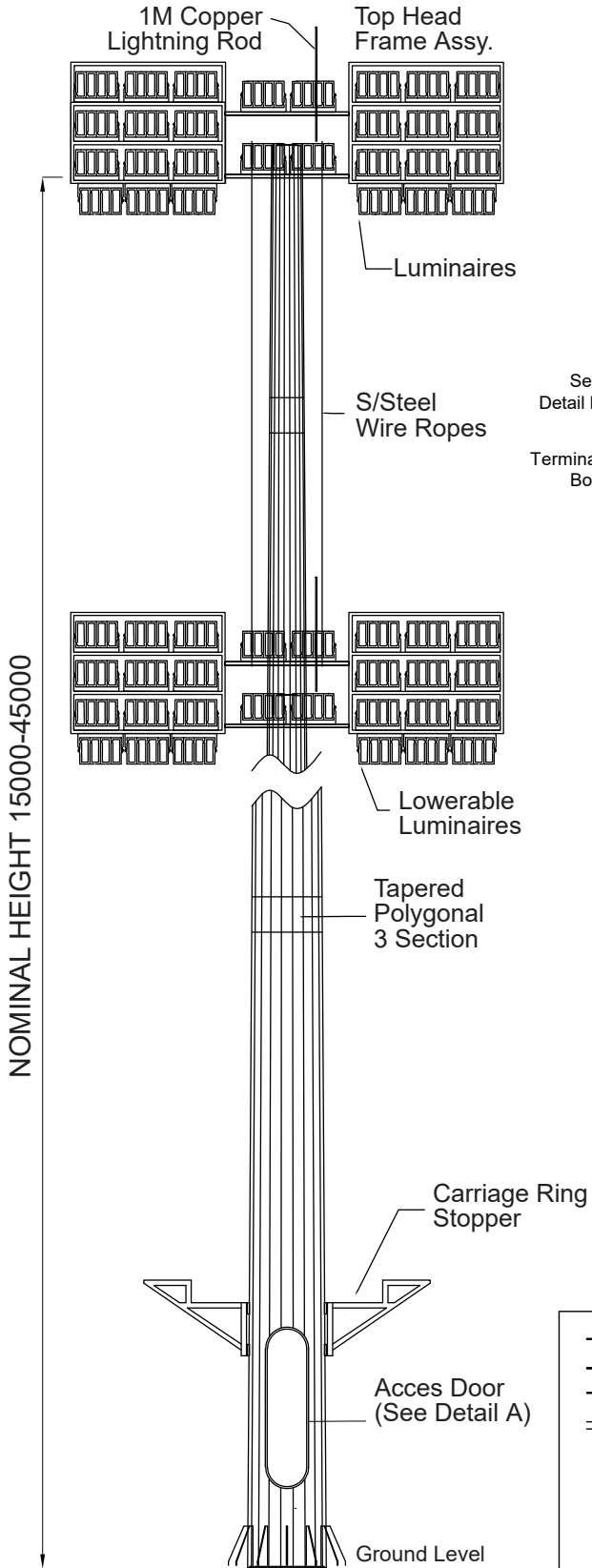


Flange Plate Stiffened with Gusset Plate



Application

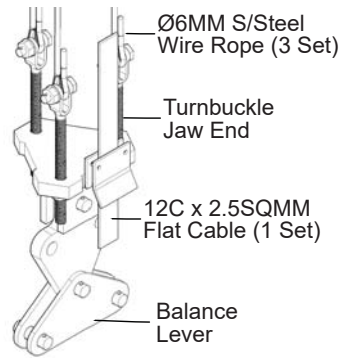
Stadium, Sport area, Car Park area and etc



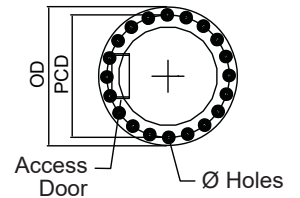
Detail -A
Access Door



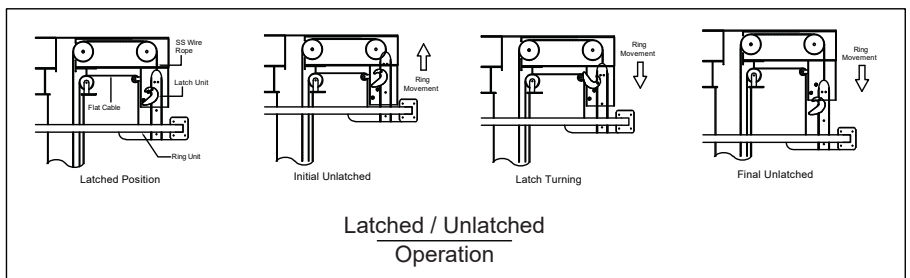
Anchor Bolt
Grade 6.6



Detail-B
Balance Lever Unit

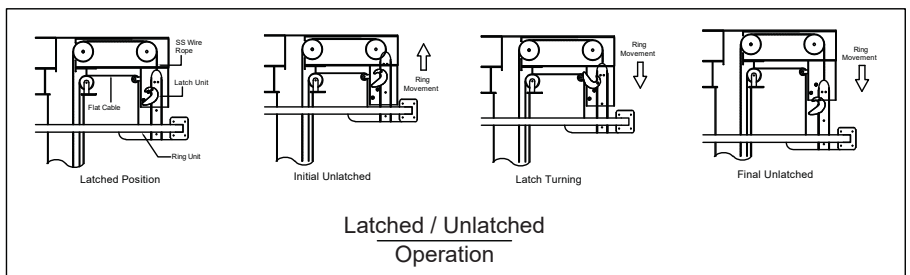
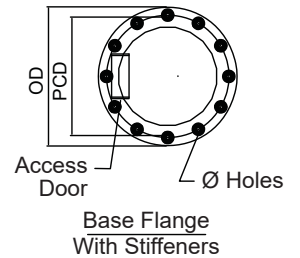
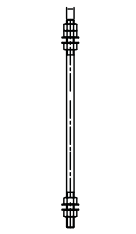
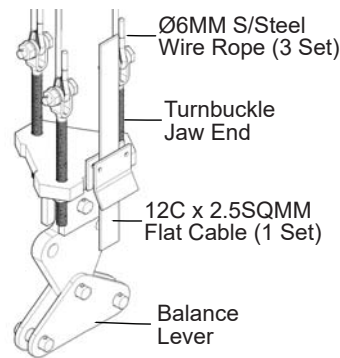
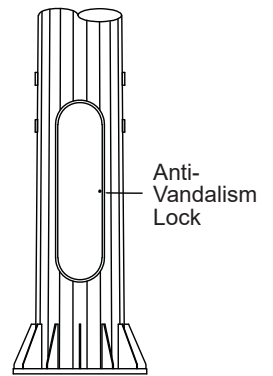
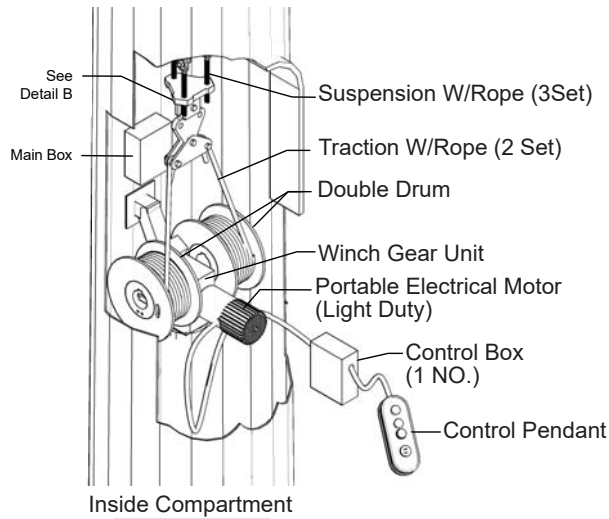
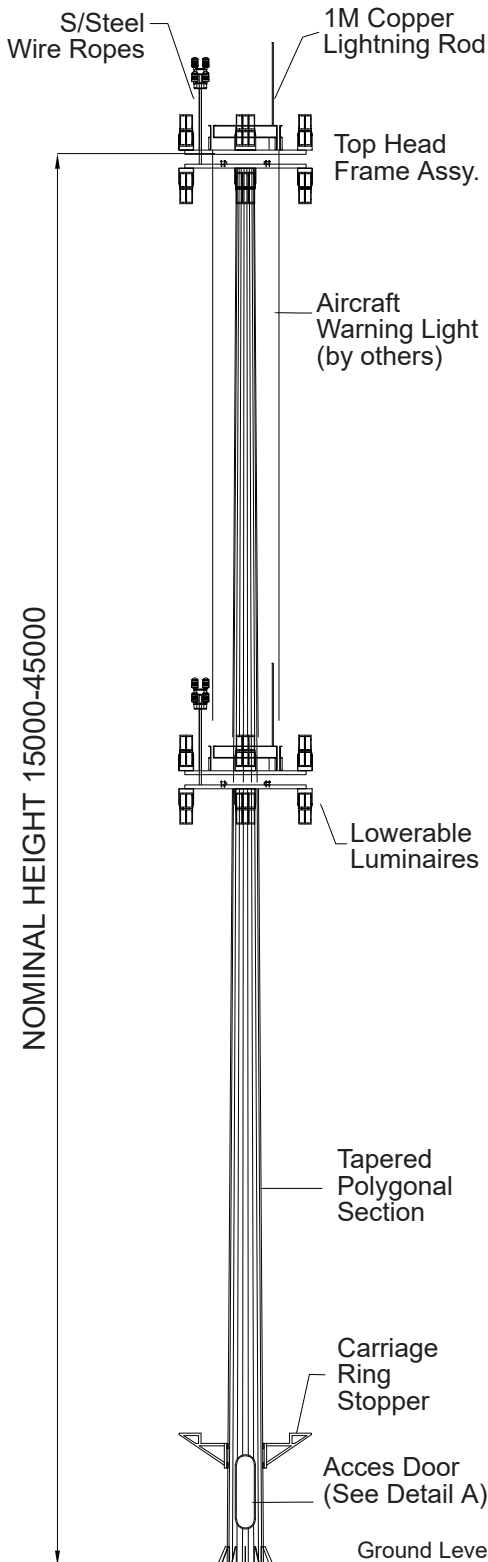
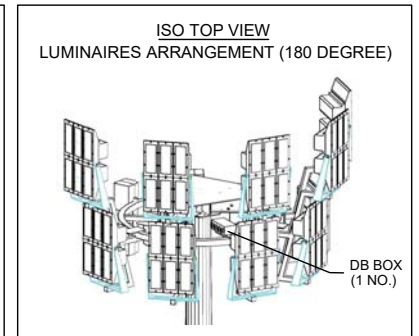
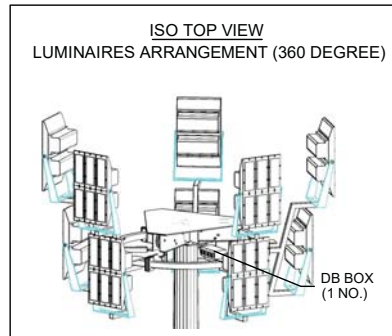


Base Flange
With Stiffeners



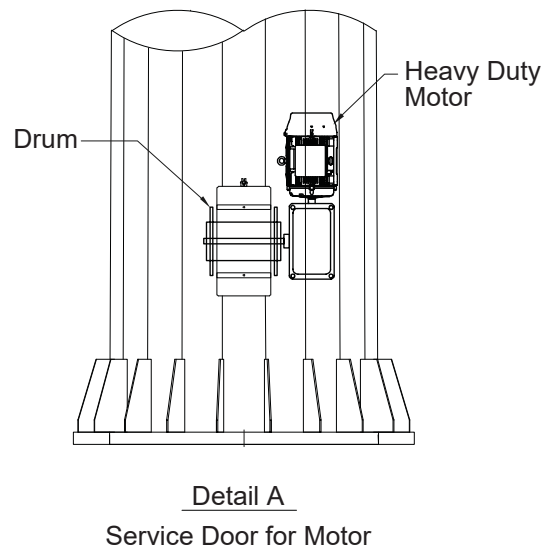
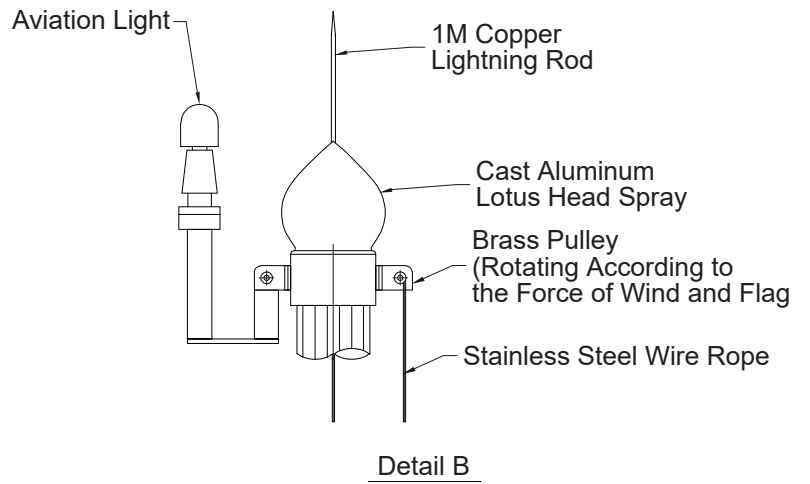
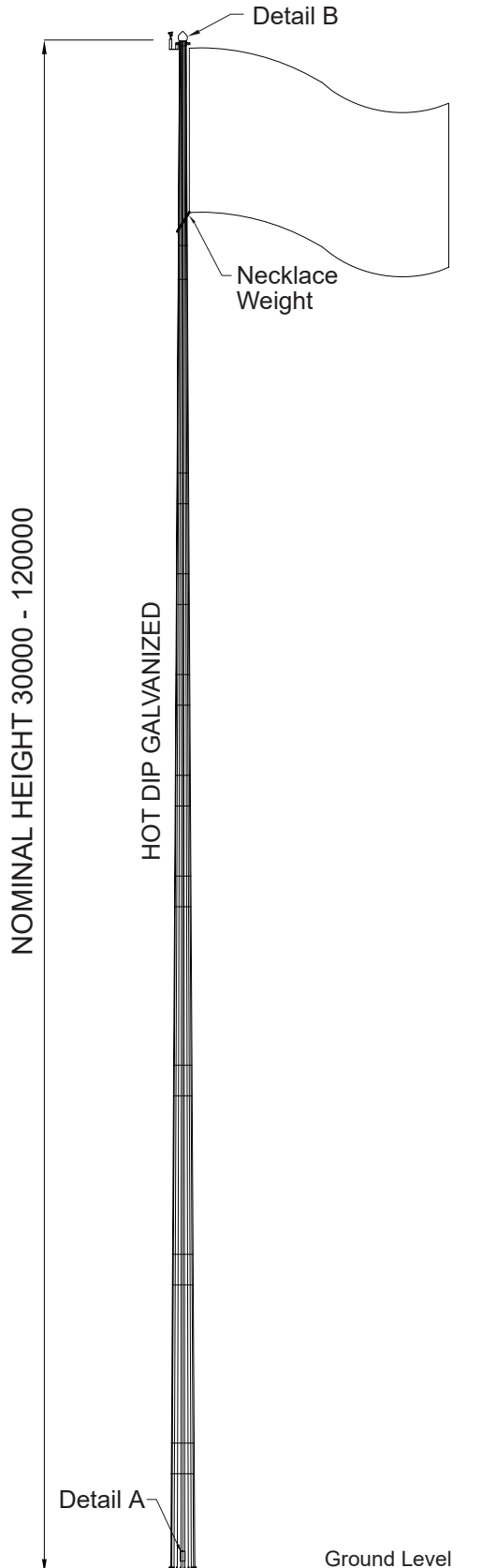
Application

Highway, Car Park area and etc



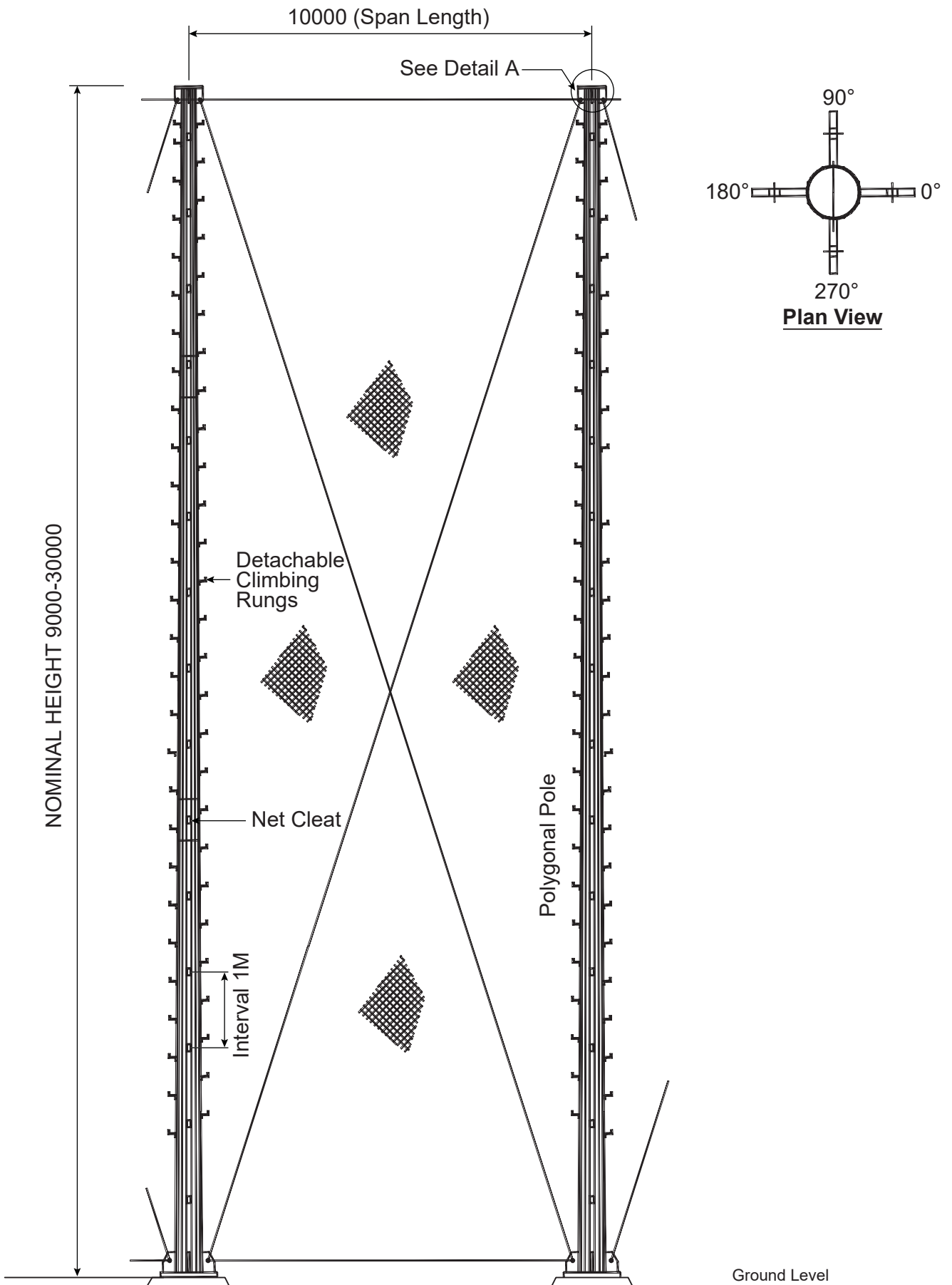
Application

Parade Ground, Landscape Area and etc



Application

Any field court

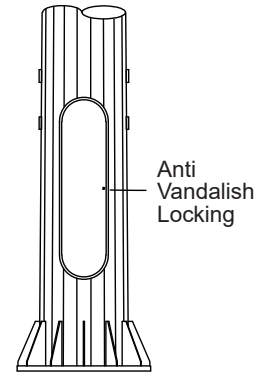
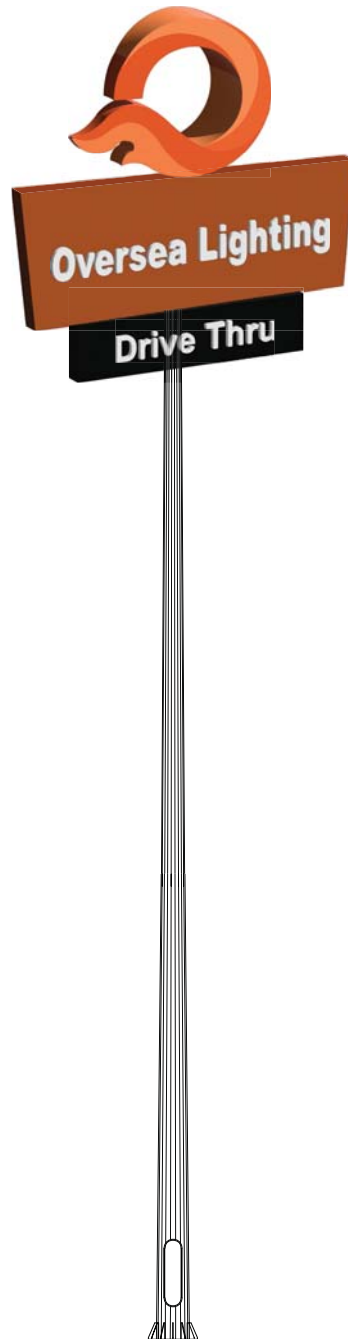
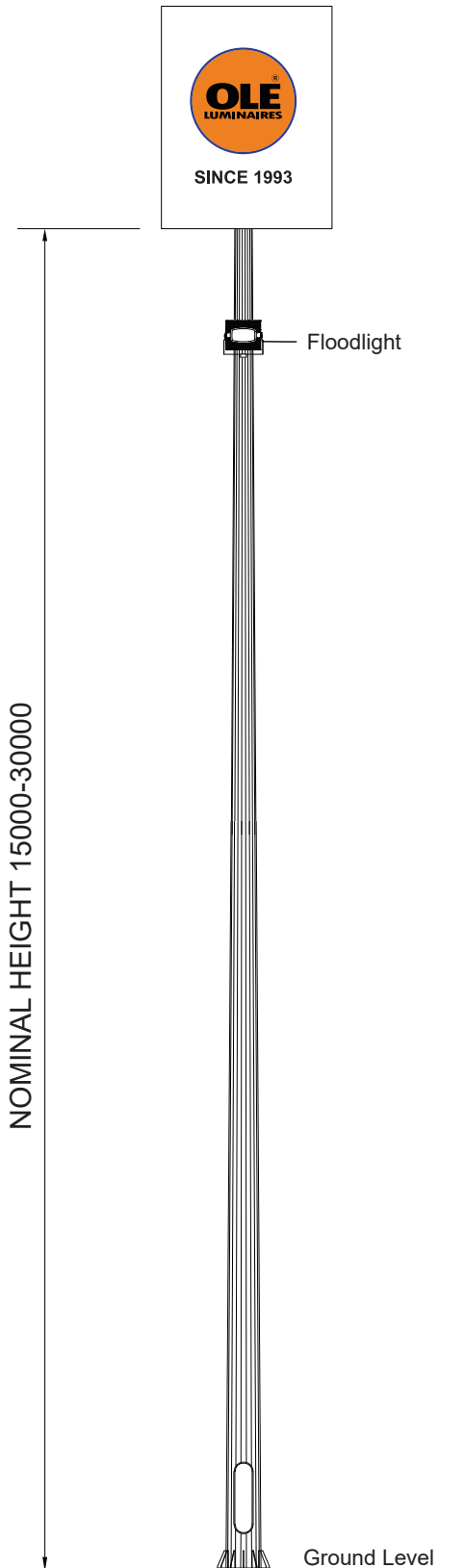


Application

Petrol Station, Fast Food Area and etc



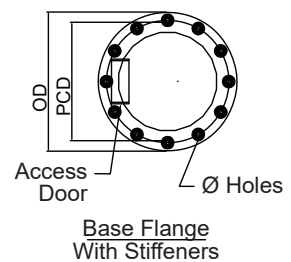
for illustration purpose only



Detail -A
Access Door



Anchor Bolt
Grade 6.6

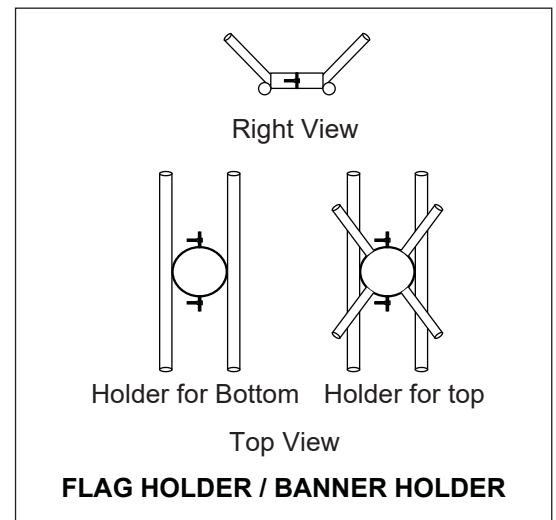
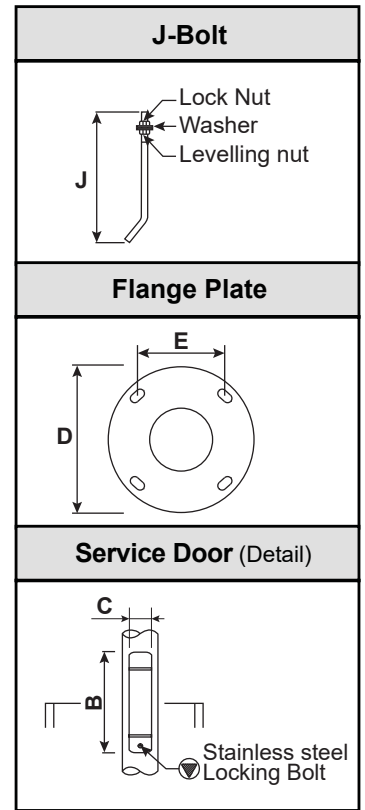
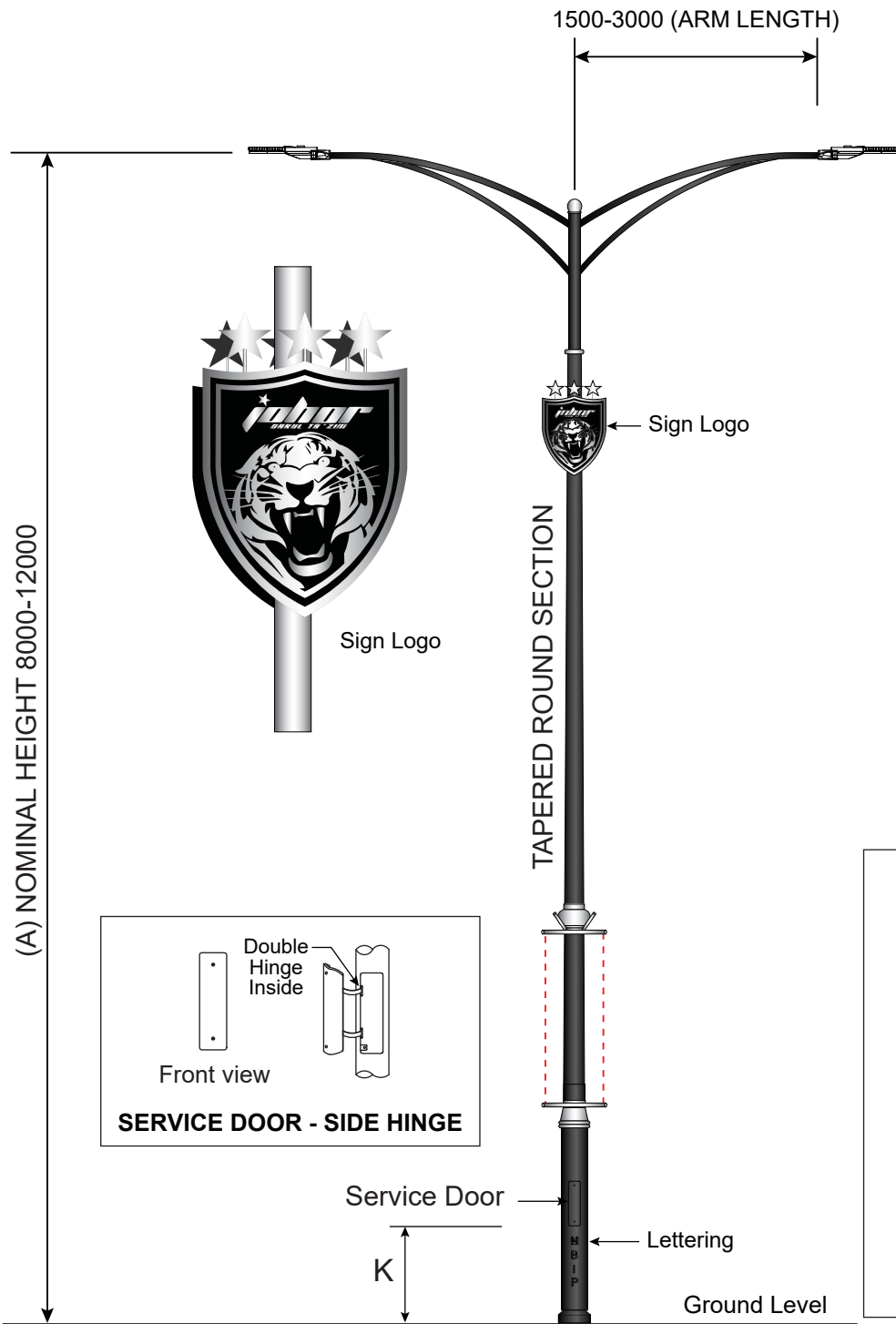




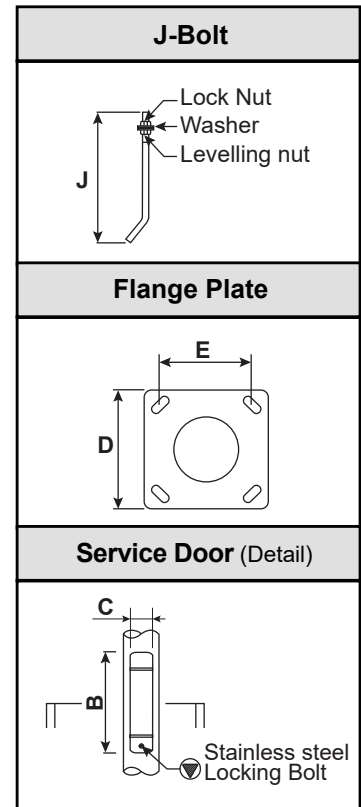
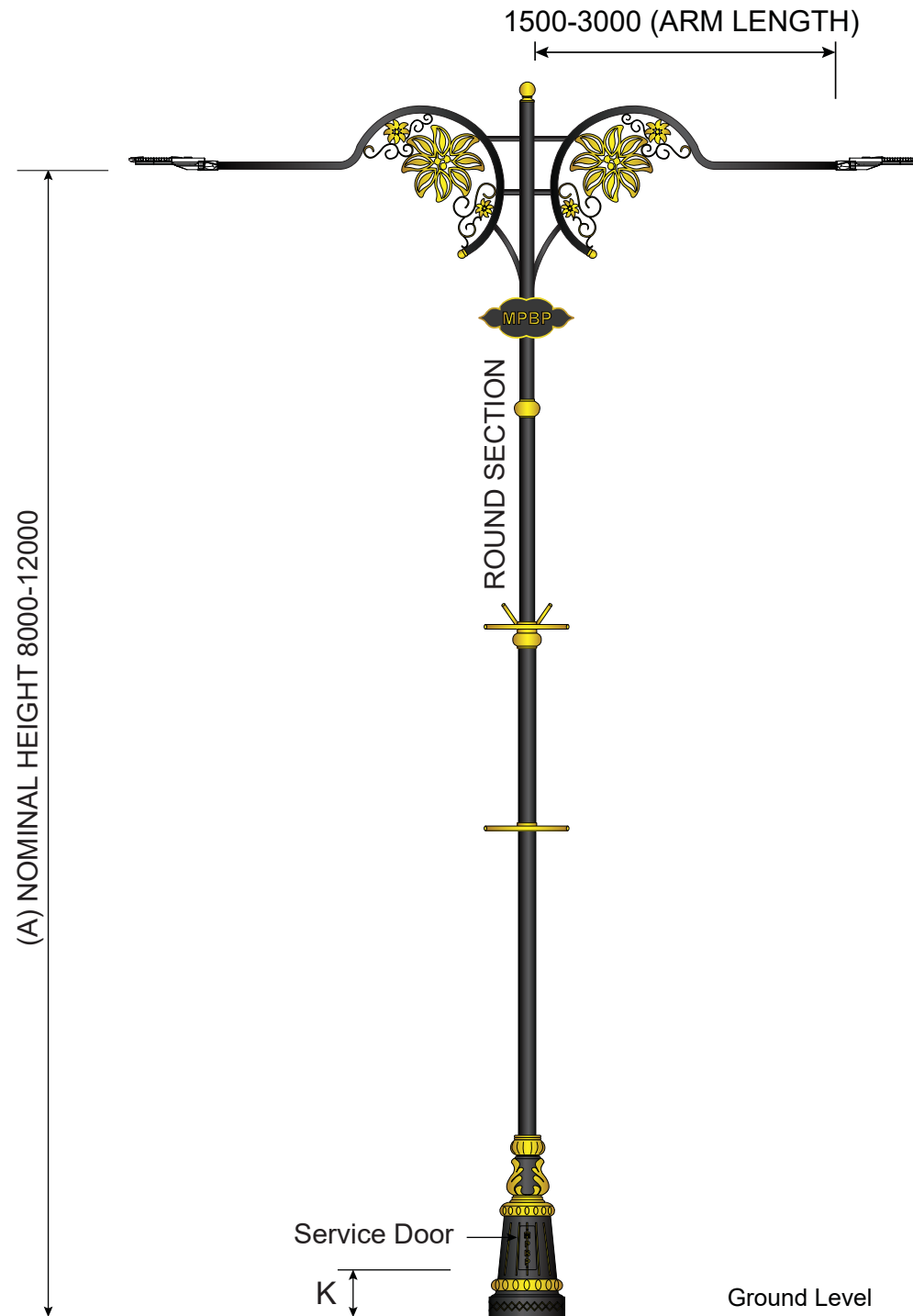
Application

Main, medium and small road garden light, residential subsidiary area, commercial developments, parking area, pathway.

➤ Gelang Patah, Johor



Height	Service Door		Flange Plate	J-Bolt	Grd. Lvl. to Service Door
	B	C			
Meter	MM	MM	MM	MM	MM
8	450	120	500x300	ø20x450 (L)	610
9	450	120	500x300	ø20x500 (L)	610
10	450	120	500x300	ø24x570 (L)	610 (1800/2000 Optional)
12	450	120	500x300	ø24x570 (L)	610 (1800/2000 Optional)



Height	Service Door		Flange Plate	J-Bolt	Grd. Lvl. to Service Door
	B	C			
Meter	MM	MM	MM	MM	MM
8	450	120	300x220	ø20x450 (L)	610
9	450	120	300x220	ø20x500 (L)	610
10	450	120	350x260	ø24x570 (L)	610 (1800/2000 Optional)
12	450	120	400x300	ø24x570 (L)	610 (1800/2000 Optional)



Jalan Mersing, Kluang, Johor



Pengerang, Johor



Pusat Pentadbiran Negeri Sabah (PPNS) Sabah



Dataran Muhamadi, Kelantan



Jalan Tan Hiok Nee, Johor



Persiaran 1 Batu Caves, Selangor



Jalan Dato Abdullah Tahir, Johor



Eco Palladium, Johor



Essex Garden, Selangor



Kemaman, Terengganu



Dungun, Terengganu



Marang, Terengganu



Jalan Banting, Klang, Selangor



Jalan Istana, Klang, Selangor



Medini, Johor



Marina Puteri Harbour, Johor



Jalan Kluang, Batu Pahat, Johor



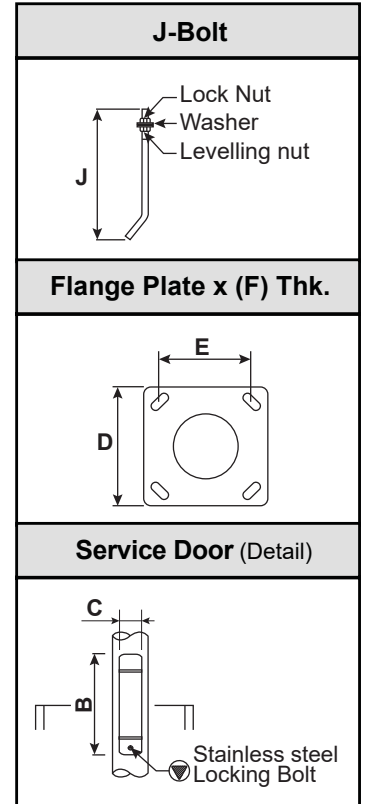
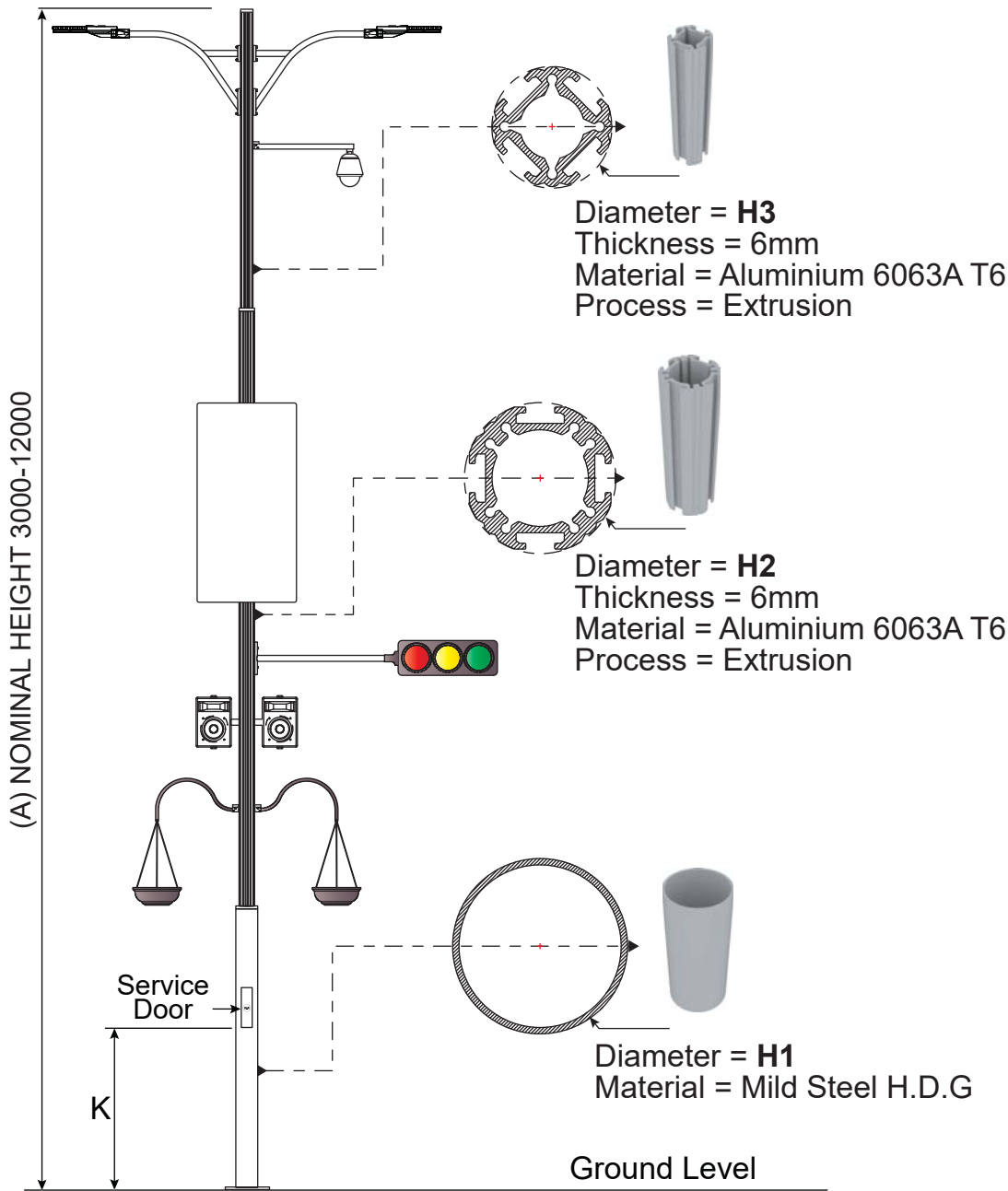
Johor



Application

Main, medium and small road garden light, residential subsidiary area, commercial developments, parking area, pathway.

➤ Jalan Ampang, Kuala Lumpur



Height	Service Door		Flange Plate	I/J-Bolt	Grd. Lvl. to Service Door	Diameter				
	A	B				C	D x E x (F) THK.	J	K	H1
Meter	MM	MM	MM	MM	MM	MM	MM	MM	MM	MM
4	350	100	250x195x8	ø16x280 (L)	305	ø140	ø114	-		
5	350	100	250x195x10	ø16x280 (L)	305	ø140	ø114	-		
6	450	120	300x220x15	ø20x450 (L)	610 / 1780	ø165	ø147	-		
7	450	120	300x220x15	ø20x450 (L)	610 / 1780	ø165	ø147	ø114		
8	450	120	300x220x15	ø20x450 (L)	610 / 1780	ø165	ø147	ø114		
9	450	120	300x220x20	ø20x450 (L)	610 / 1780	ø165	ø147	ø114		
10	450	120	350x260x20	ø24x570 (L)	610 / 1780	ø220	ø147	ø114		
12	450	120	445x300x25	ø24x570 (L)	610 / 1780	ø220	ø147	ø114		

COMPOUND LIGHTING POLE

Round Aluminium Pole

Application

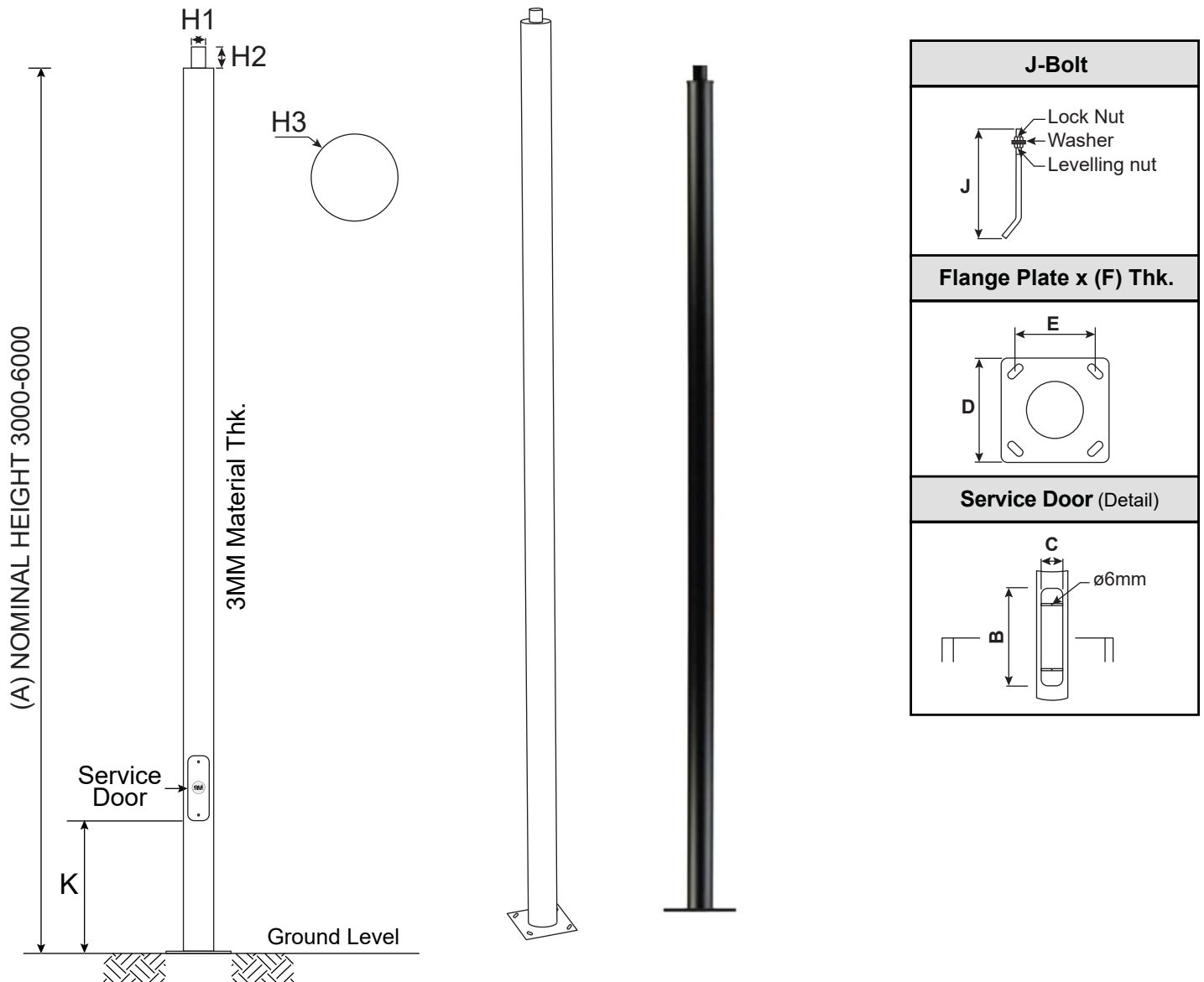
Pedestrian walkway, car park, garden light, area light and others.

Housing Material

Extrusion aluminum AA 6063-T5.

Finishing

Durable outdoor powder coated.



Height	Service Door		Flange Plate	J-Bolt	Grd. Lvl. to Service Door	Diameter		
	B	C				D x E x (F) THK.	J	K
Meter	MM	MM	MM	MM	MM	MM	MM	MM
3	300	100	275x195x8	ø16x280 (L)	600	ø60/ø76	89	ø127
4	300	100	275x195x8	ø16x280 (L)	600	ø60/ø76	89	ø127
5	300	100	275x195x10	ø16x280 (L)	600	ø60/ø76	89	ø127
6	300	100	300x220x10	ø20x450 (L)	600	ø60/ø76	89	ø127

COMPOUND LIGHTING POLE

Square Aluminium Pole

Application

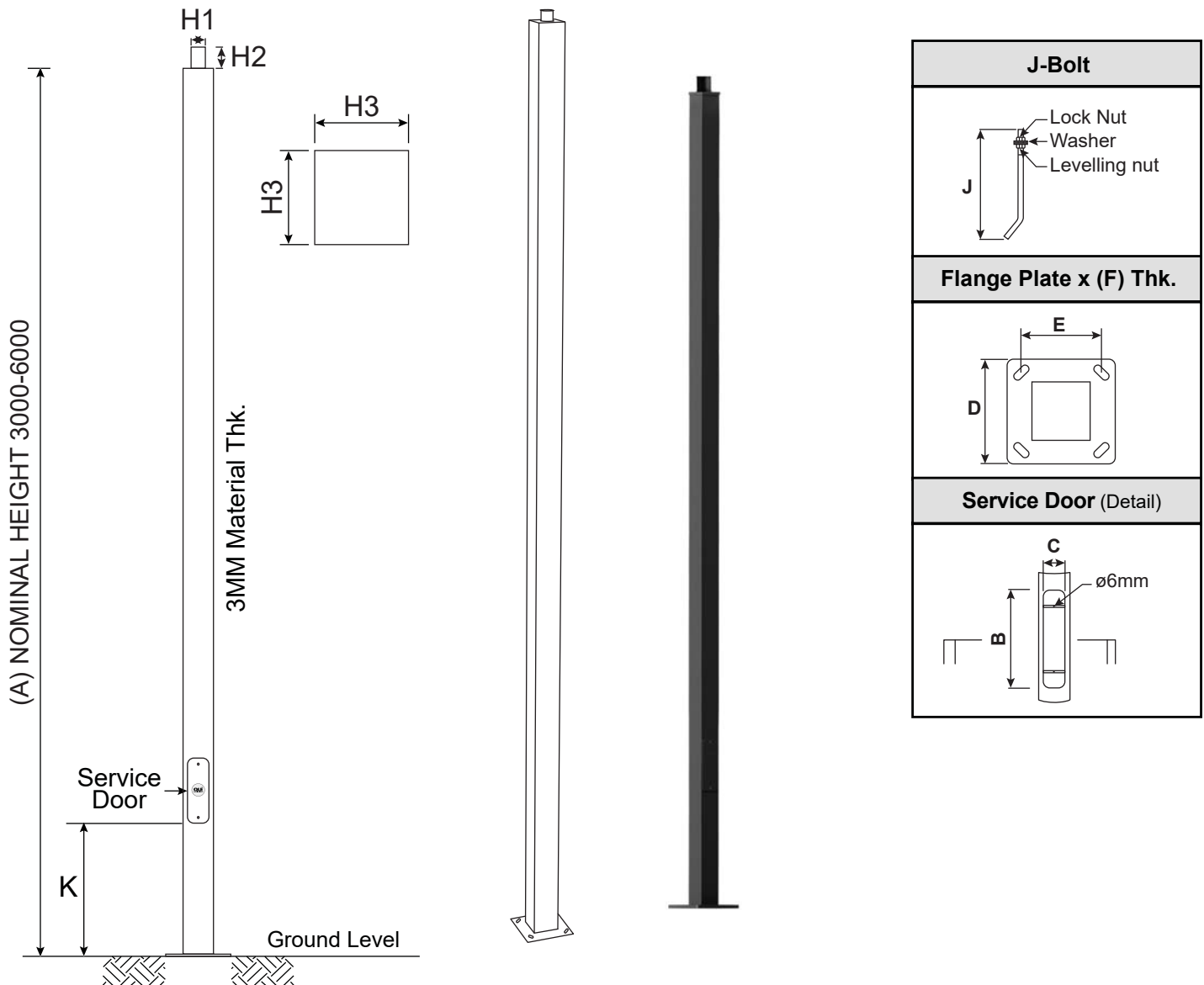
Pedestrian walkway, car park, garden light, area light and others.

Housing Material

Extrusion aluminum AA 6063-T5.

Finishing

Durable outdoor powder coated.



Height	Service Door		Flange Plate	J-Bolt	Grd. Lvl. to Service Door	Diameter		
	B	C				H1	H2	H3
A			D x E x (F) THK.	J	K			
Meter	MM	MM	MM	MM	MM	MM	MM	MM
3	300	100	275x195x8	ø16x280 (L)	600	ø60/ø76	89	127x127
4	300	100	275x195x8	ø16x280 (L)	600	ø60/ø76	89	127x127
5	300	100	275x195x10	ø16x280 (L)	600	ø60/ø76	89	127x127
6	300	100	300x220x10	ø20x450 (L)	600	ø60/ø76	89	127x127

COMPOUND LIGHTING POLE

Rectangular Aluminium Pole

Application

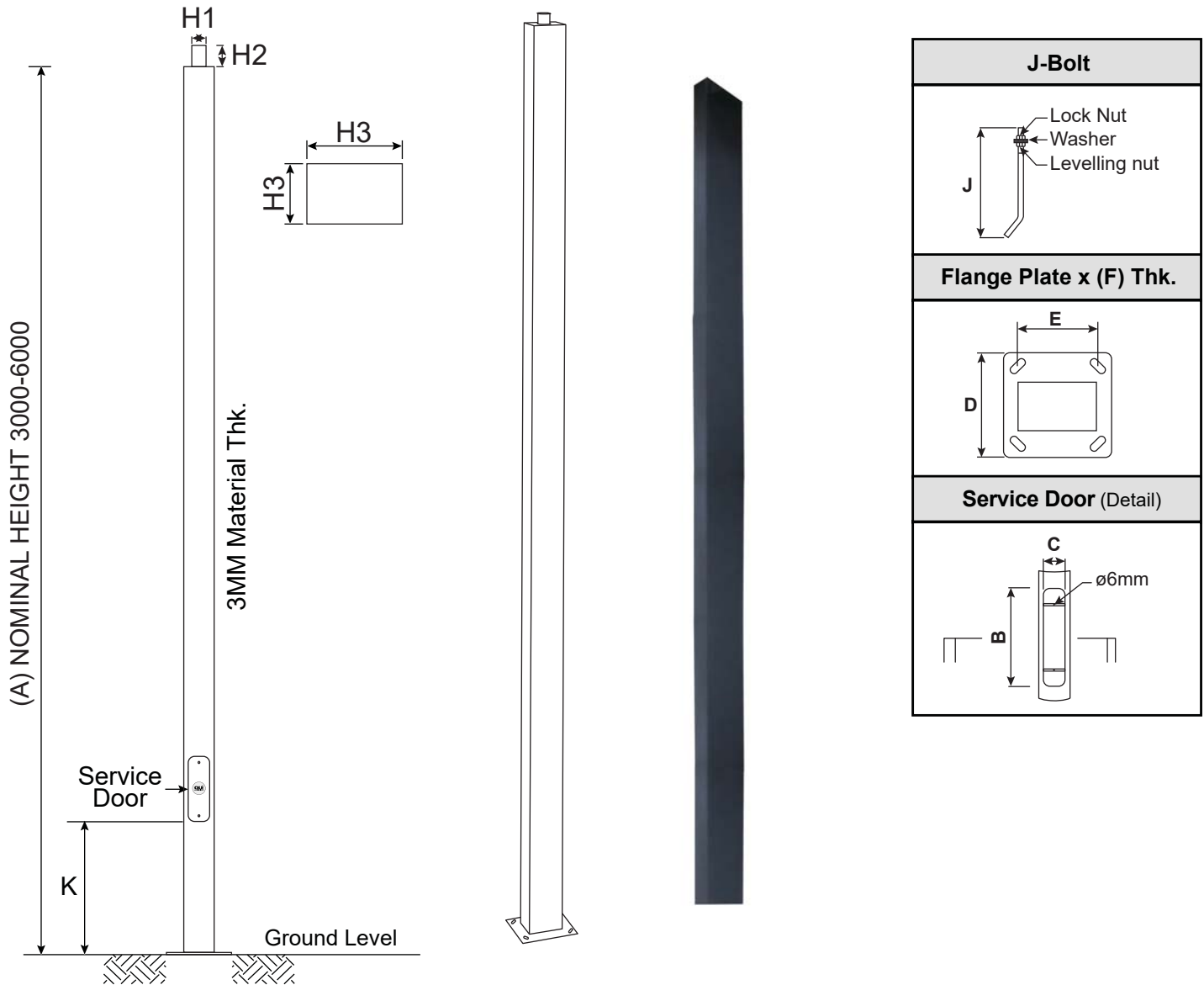
Pedestrian walkway, car park, garden light, area light and others.

Housing Material

Extrusion aluminum AA 6063-T5.

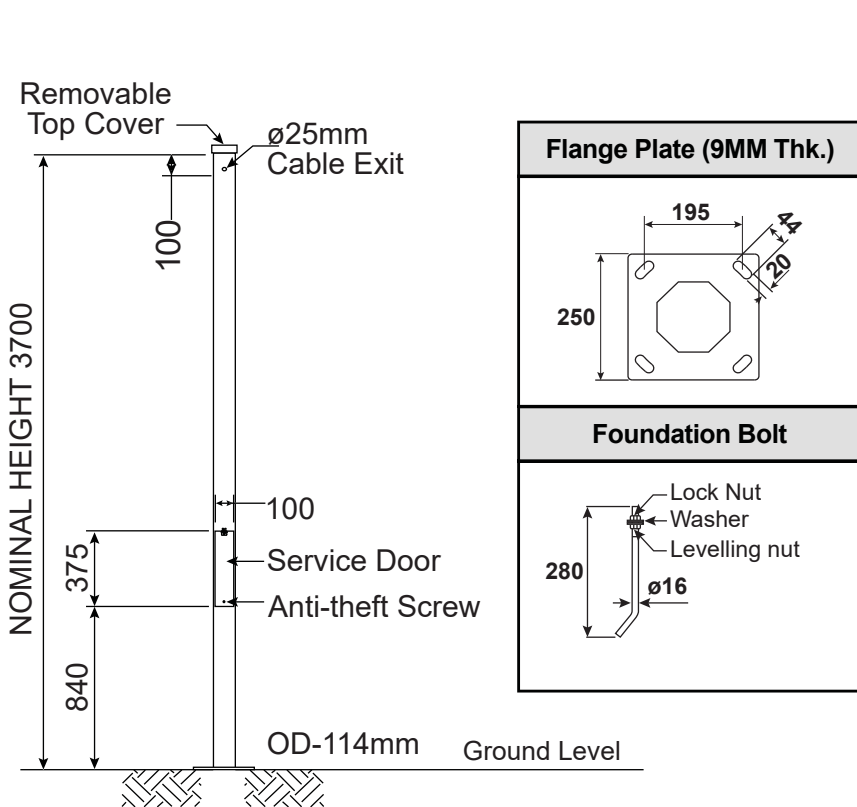
Finishing

Durable outdoor powder coated.

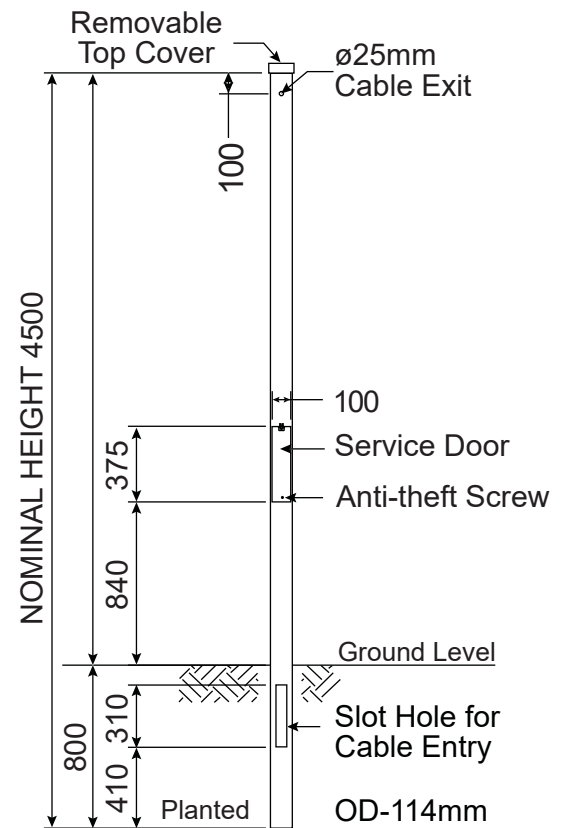


Height	Service Door		Flange Plate	J-Bolt	Grd. Lvl. to Service Door	Diameter		
	B	C				D x E x (F) THK.	J	K
Meter	MM	MM	MM	MM	MM	MM	MM	MM
3	250	104	300x220x8	ø16x280 (L)	600	ø60/ø76	89	90x150
4	250	104	300x220x8	ø16x280 (L)	600	ø60/ø76	89	90x150
5	250	104	300x220x10	ø16x280 (L)	600	ø60/ø76	89	90x150
6	250	104	300x220x10	ø20x450 (L)	600	ø60/ø76	89	90x150

Tubular

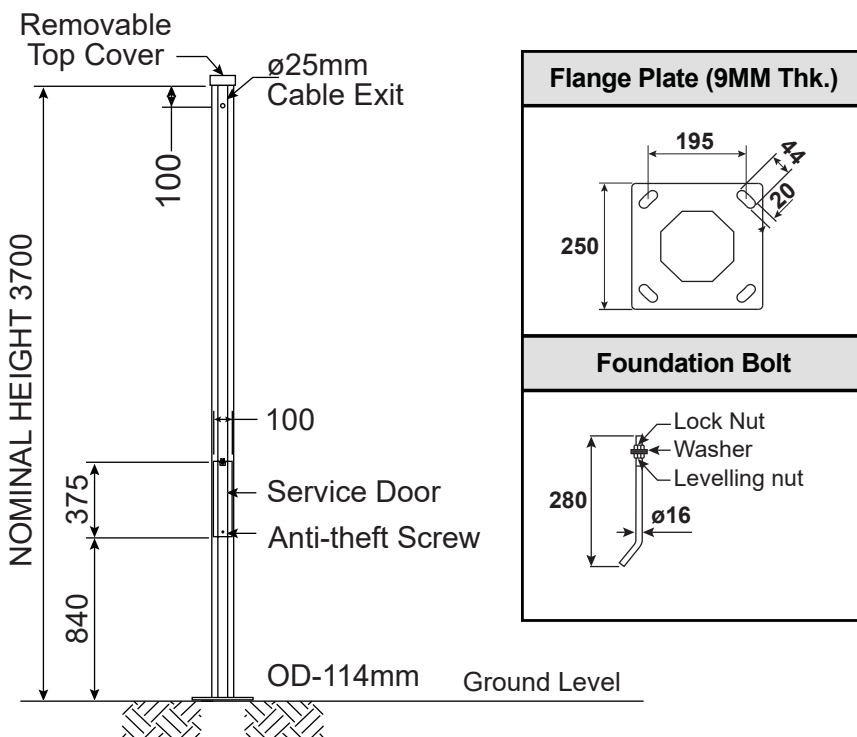


Flange Type

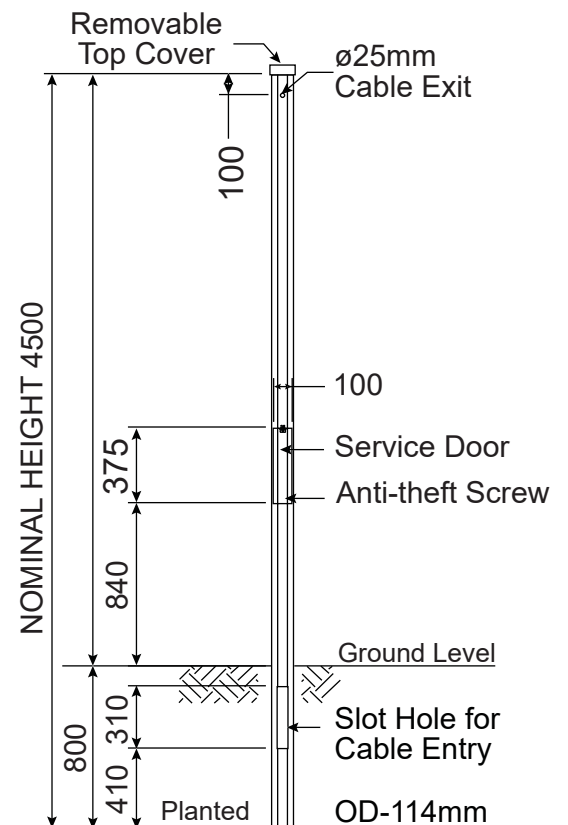


Planted Type

Octagonal Parallel



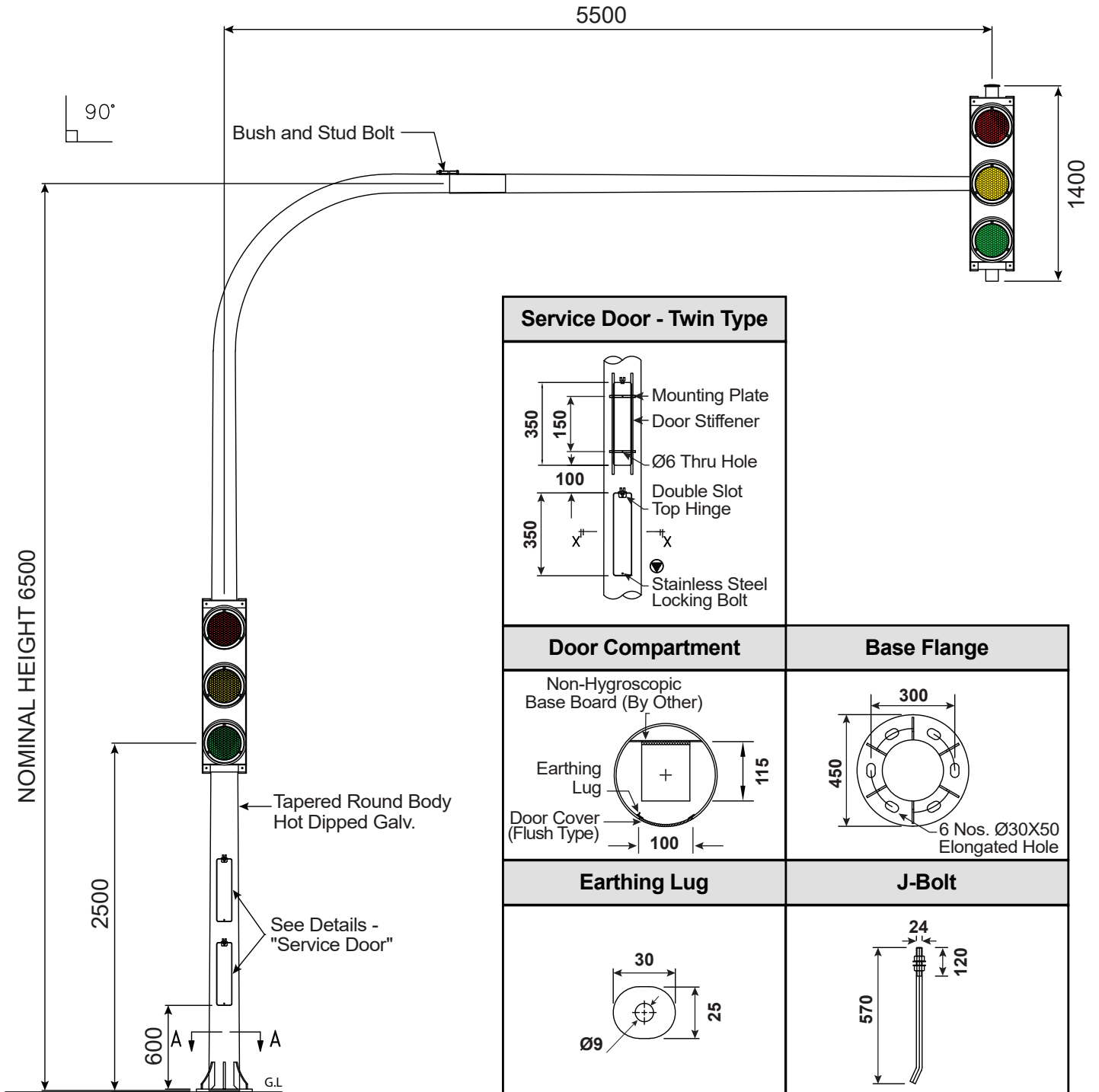
Flange Type

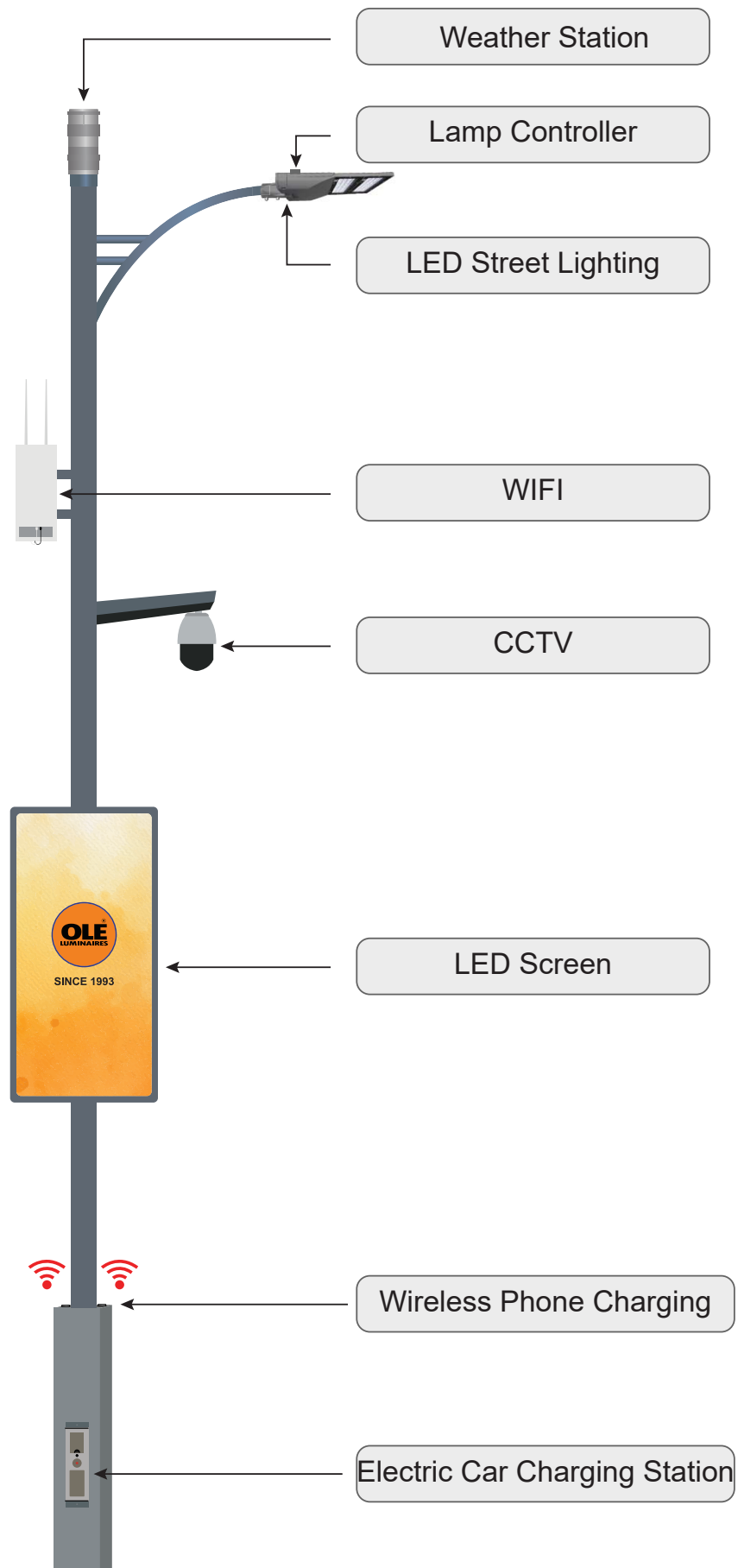


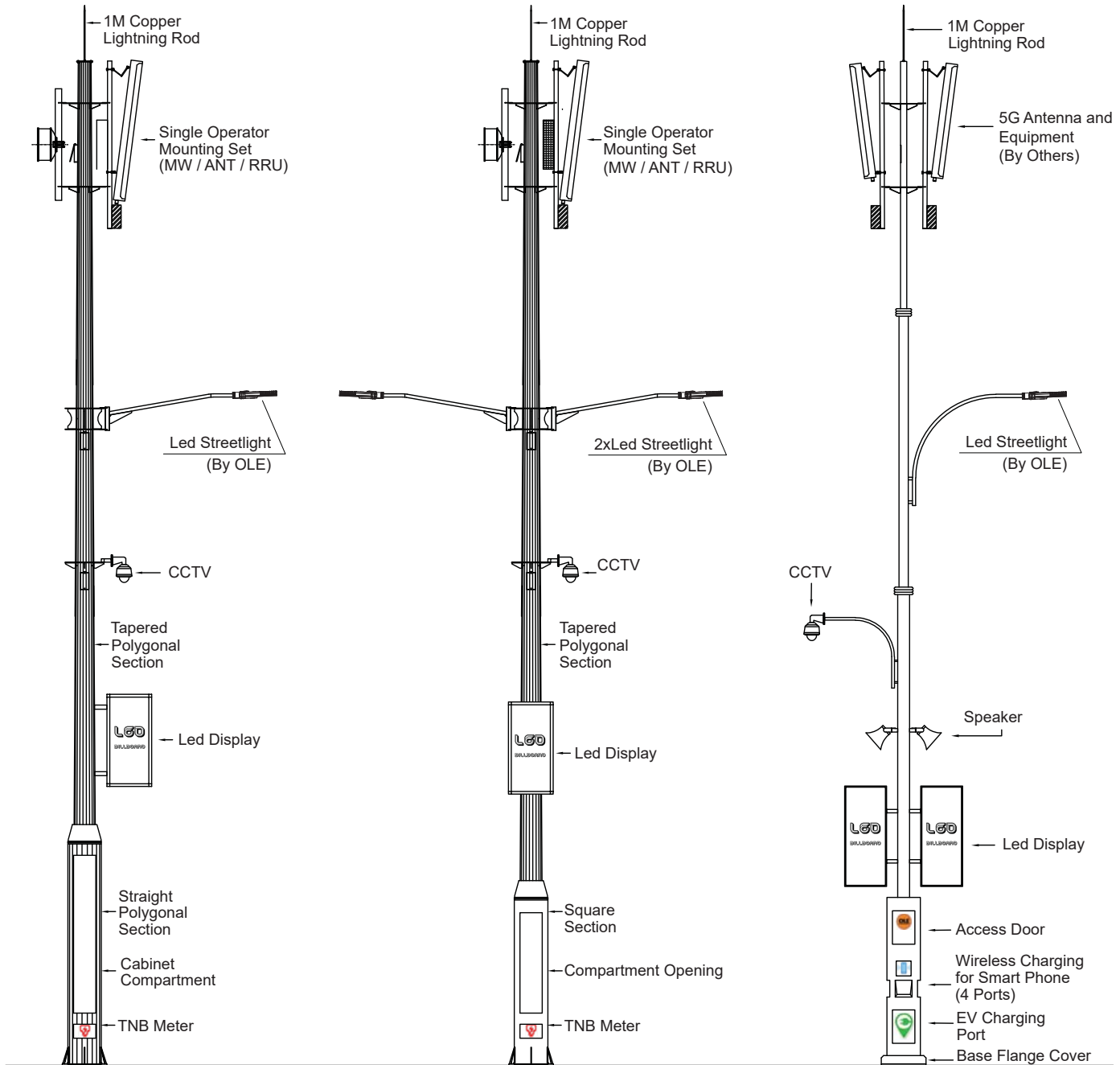
Planted Type

Application

Traffic light pole in various designs providing stable support to traffic management system. It can also incorporate double application as Traffic and Lighting Pole.







Meranti Smart Monopole

Gaharu Smart Monopole

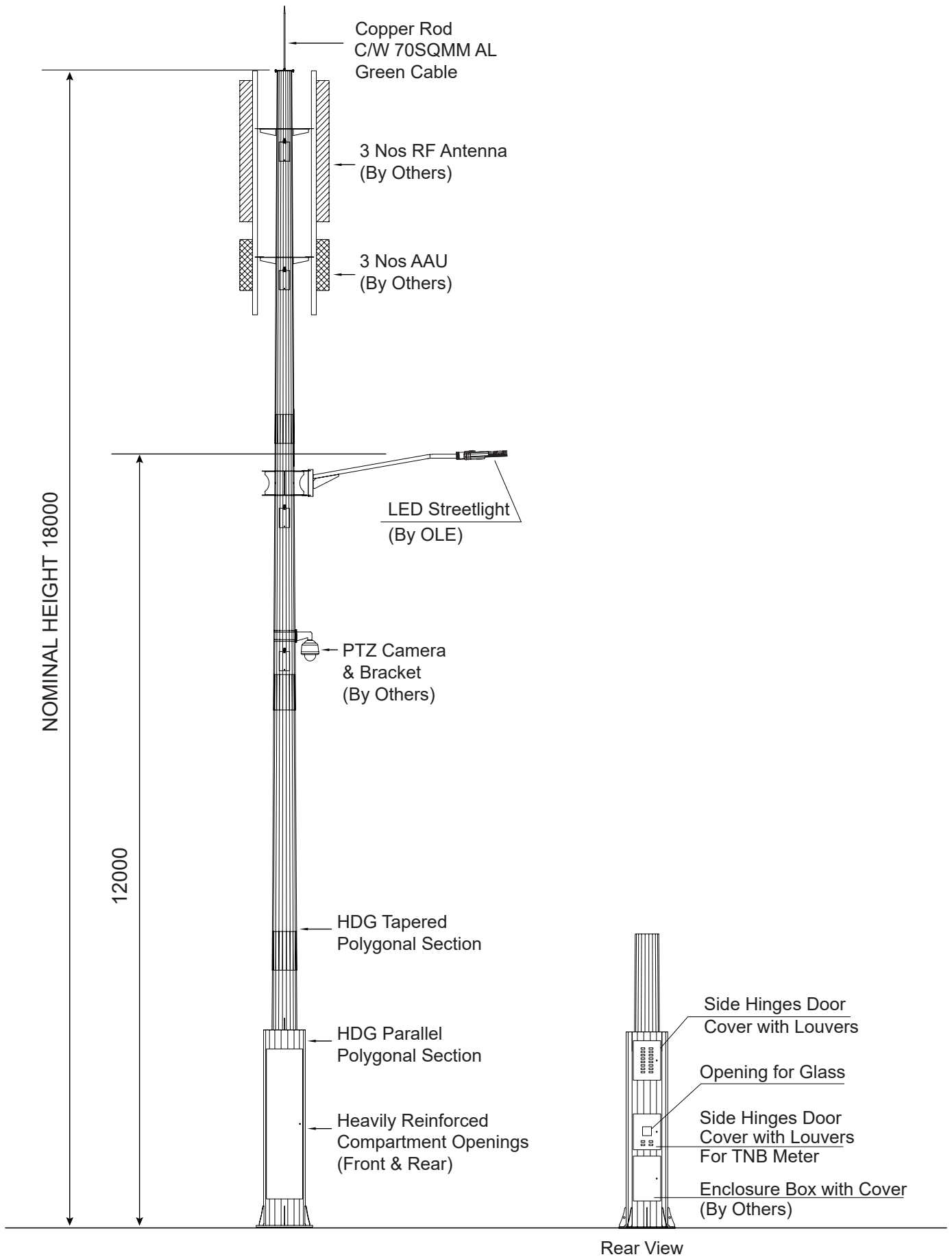
Cendana Smart Monopole

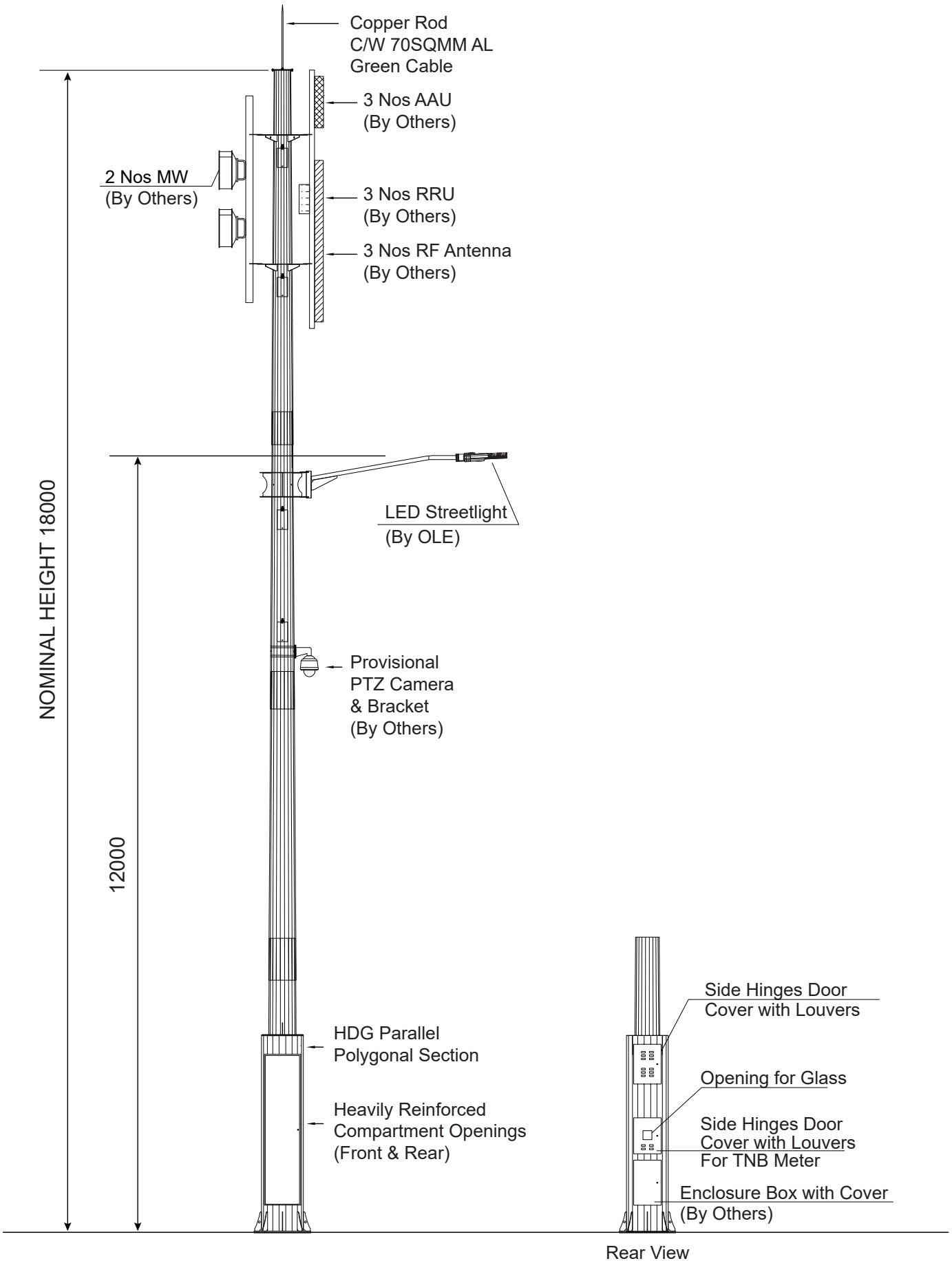


Application

Telecommunication

➤ Cyberjaya, Selangor



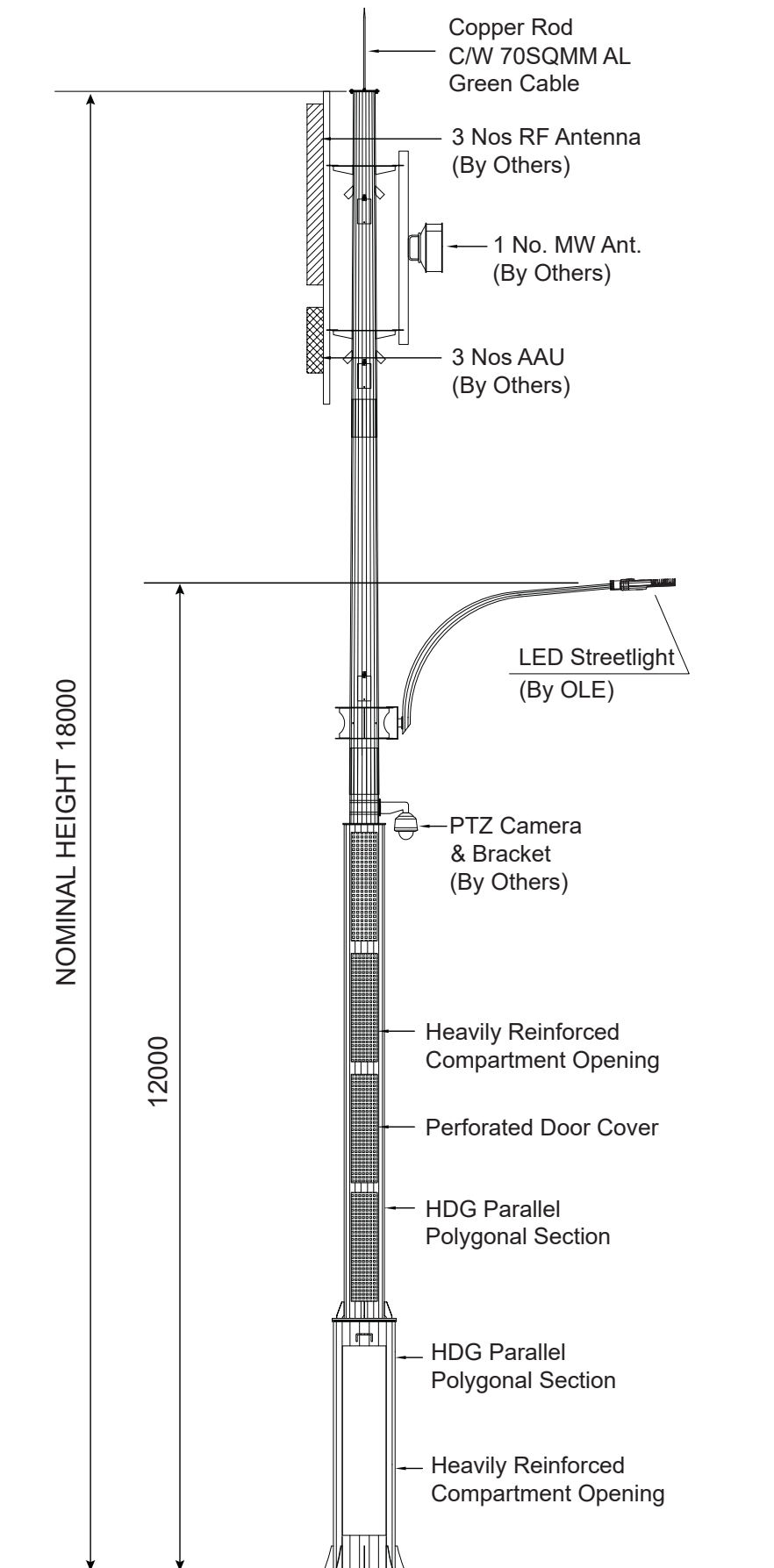


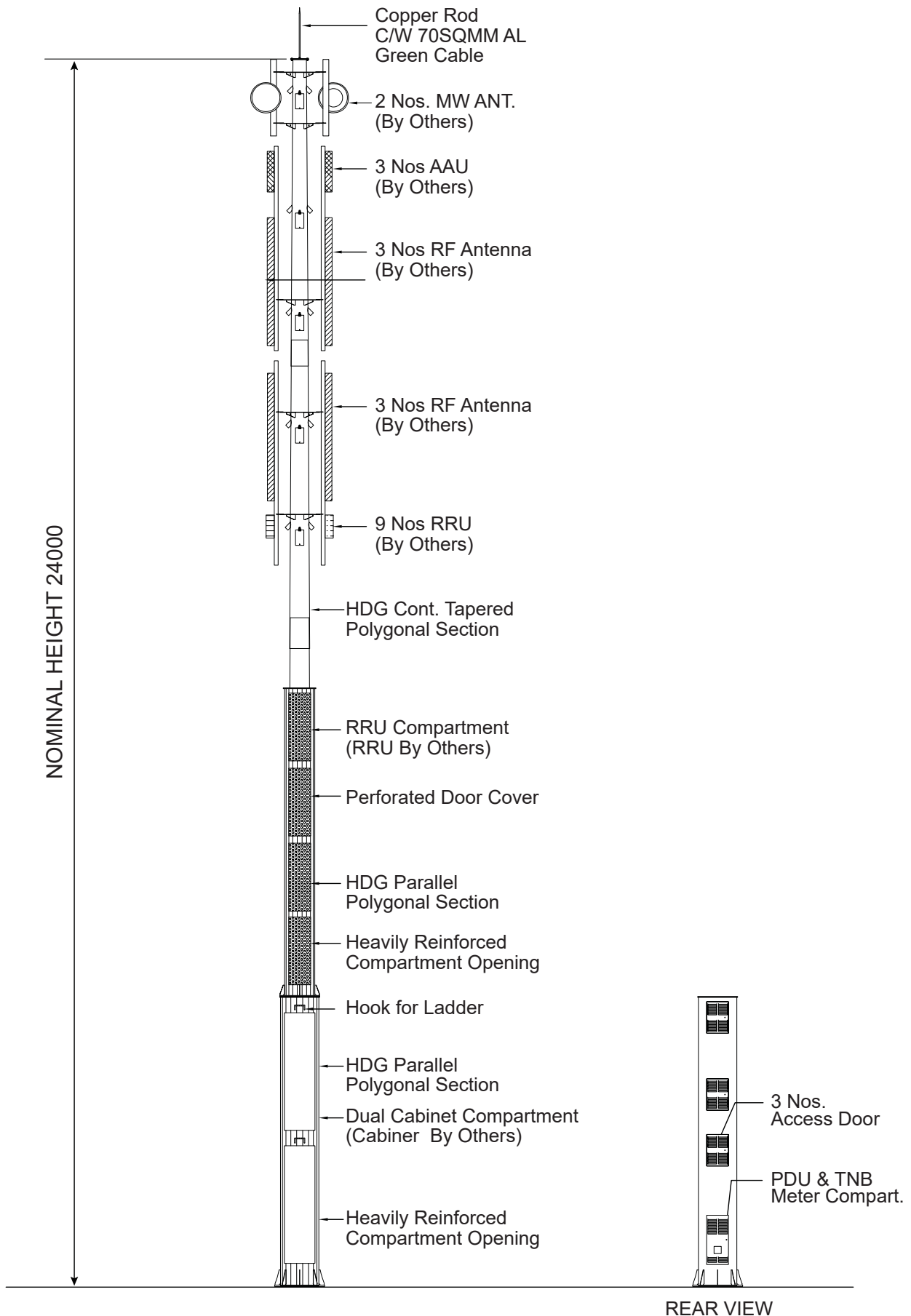


Application

Telecommunication

➤ Jalan Cassia Selatan, Pulau Pinang



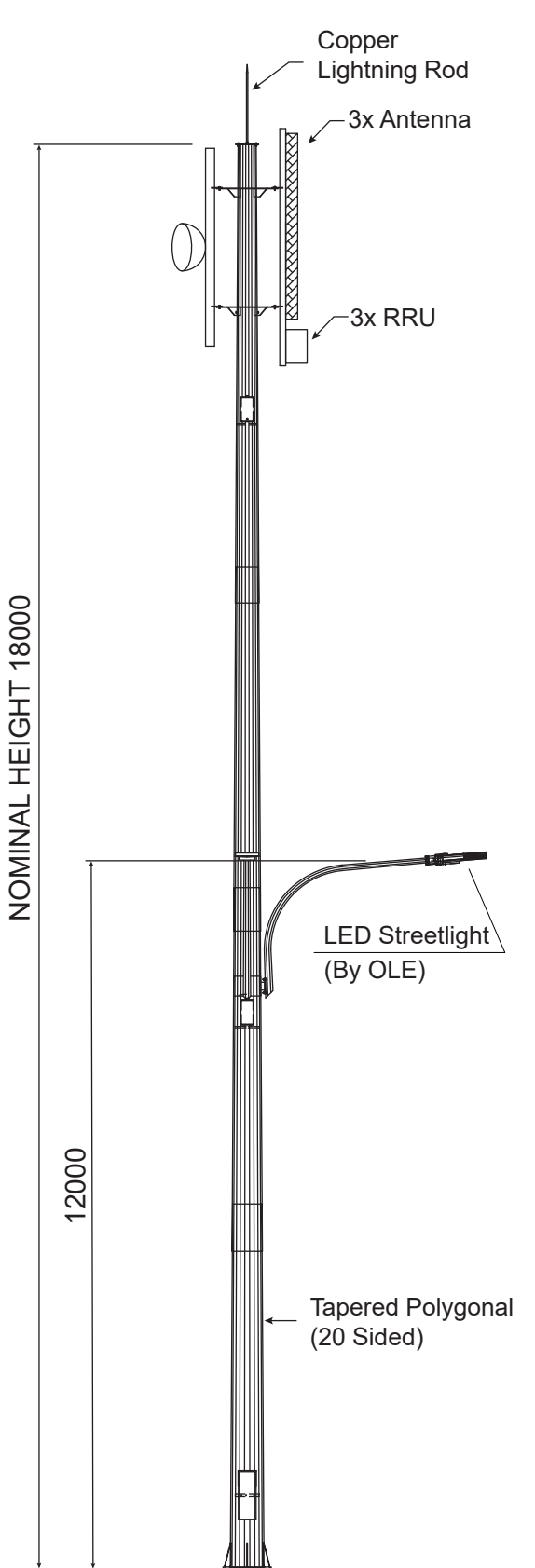




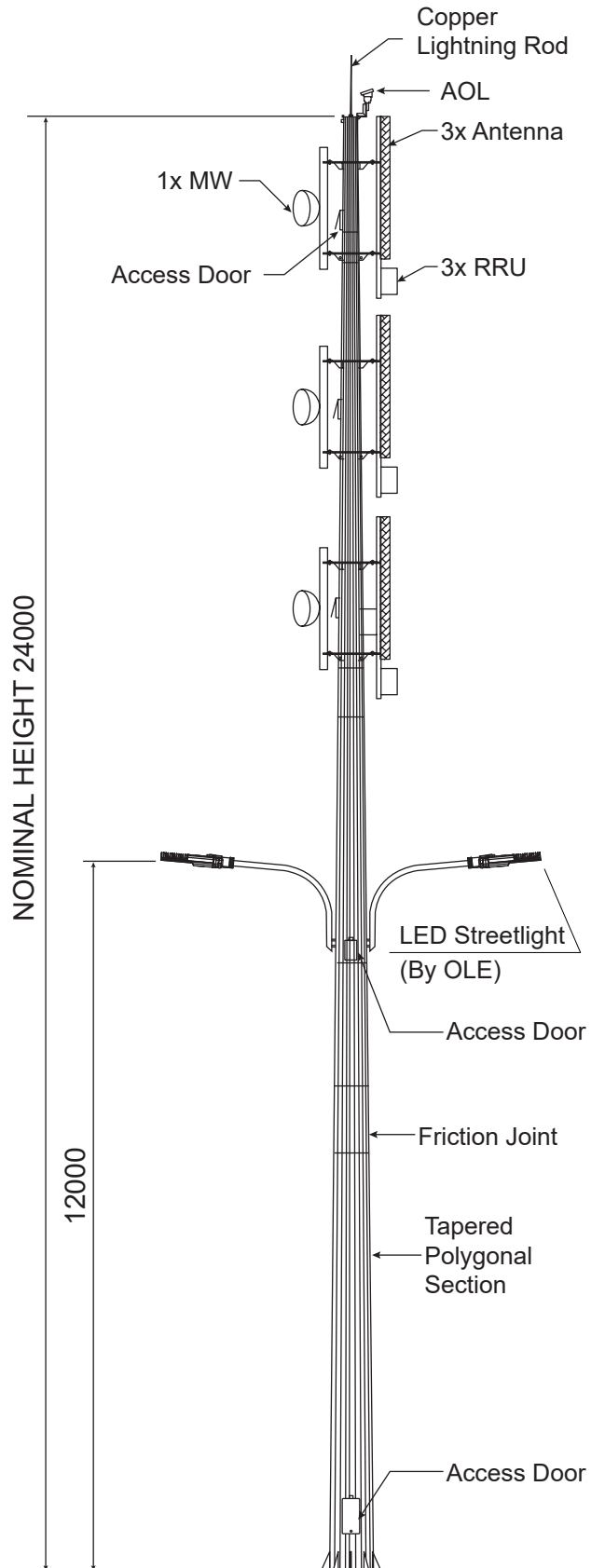
Application

Telecommunication

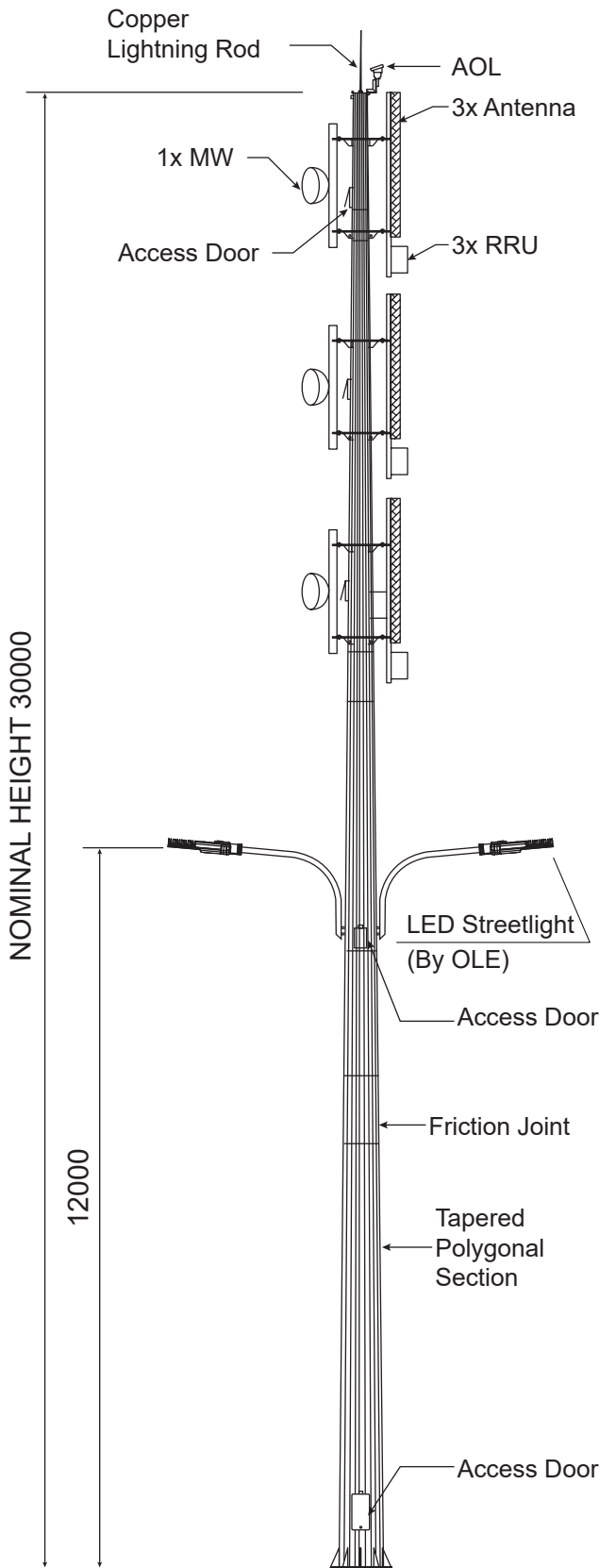
➤ Jalan Damai Budi, Kuala Lumpur



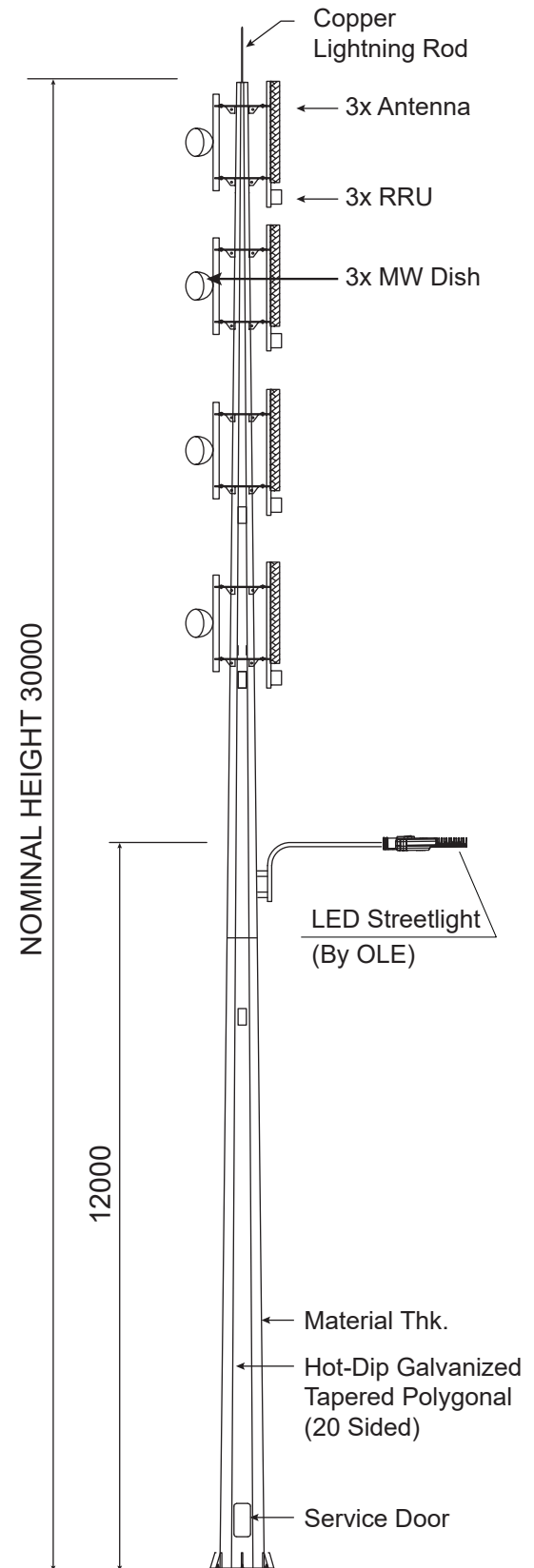
18M Monopole 1 Station



24M Monopole 3 Station



30M Monopole 3 Station



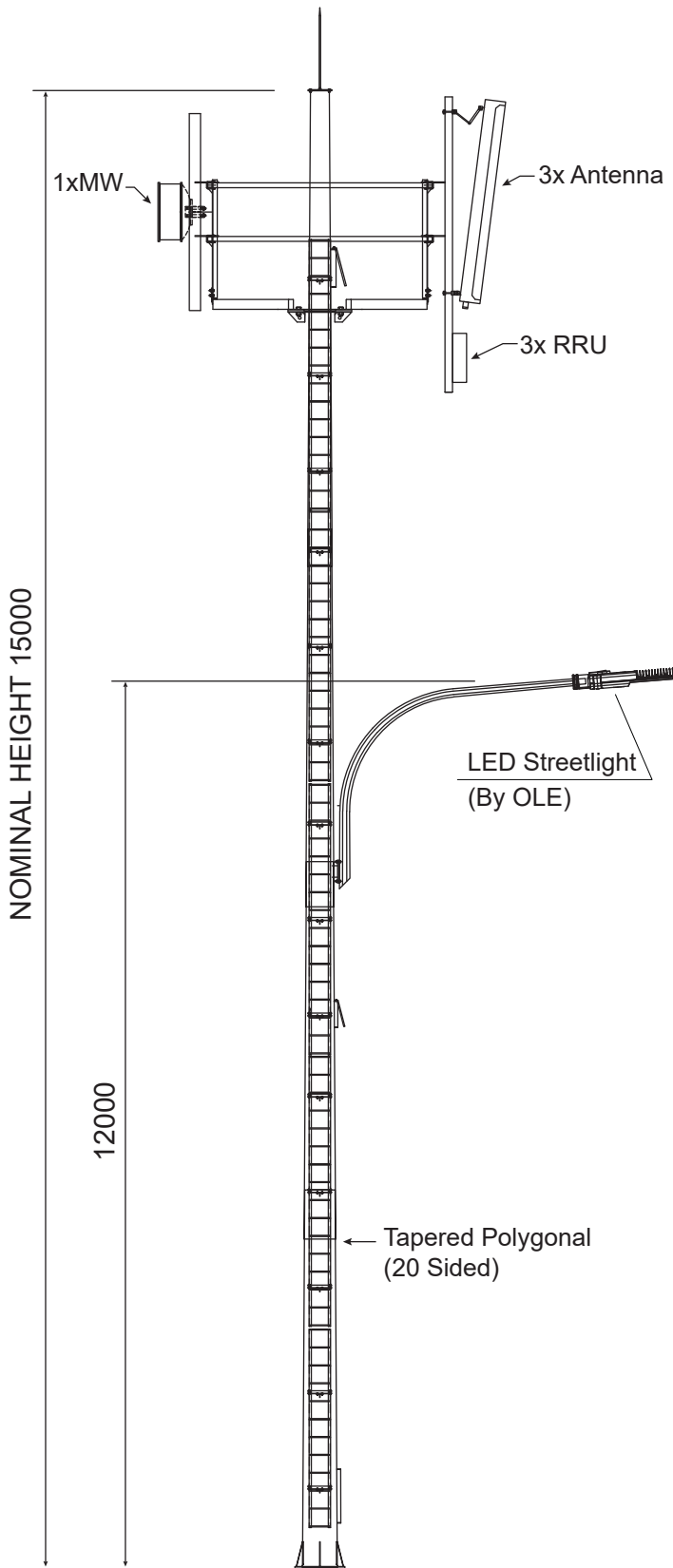
30M Monopole 4 Station



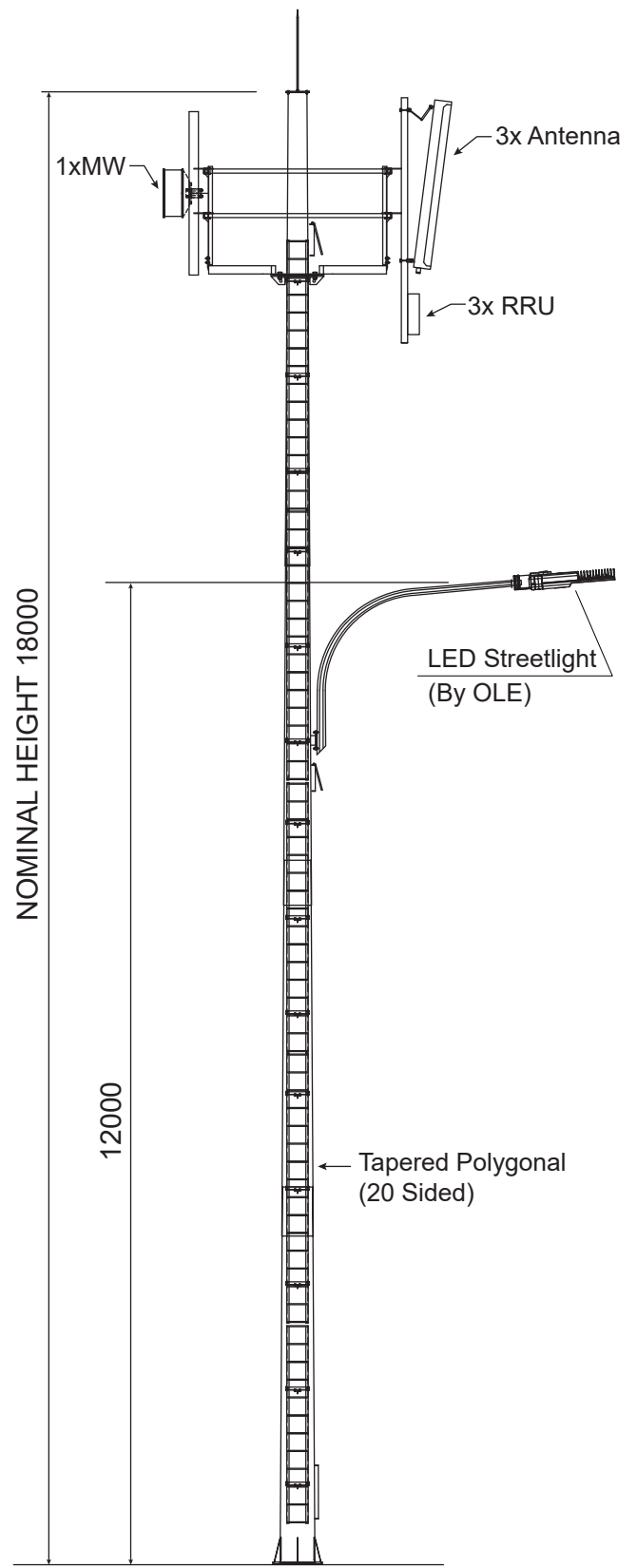
Application

Telecommunication

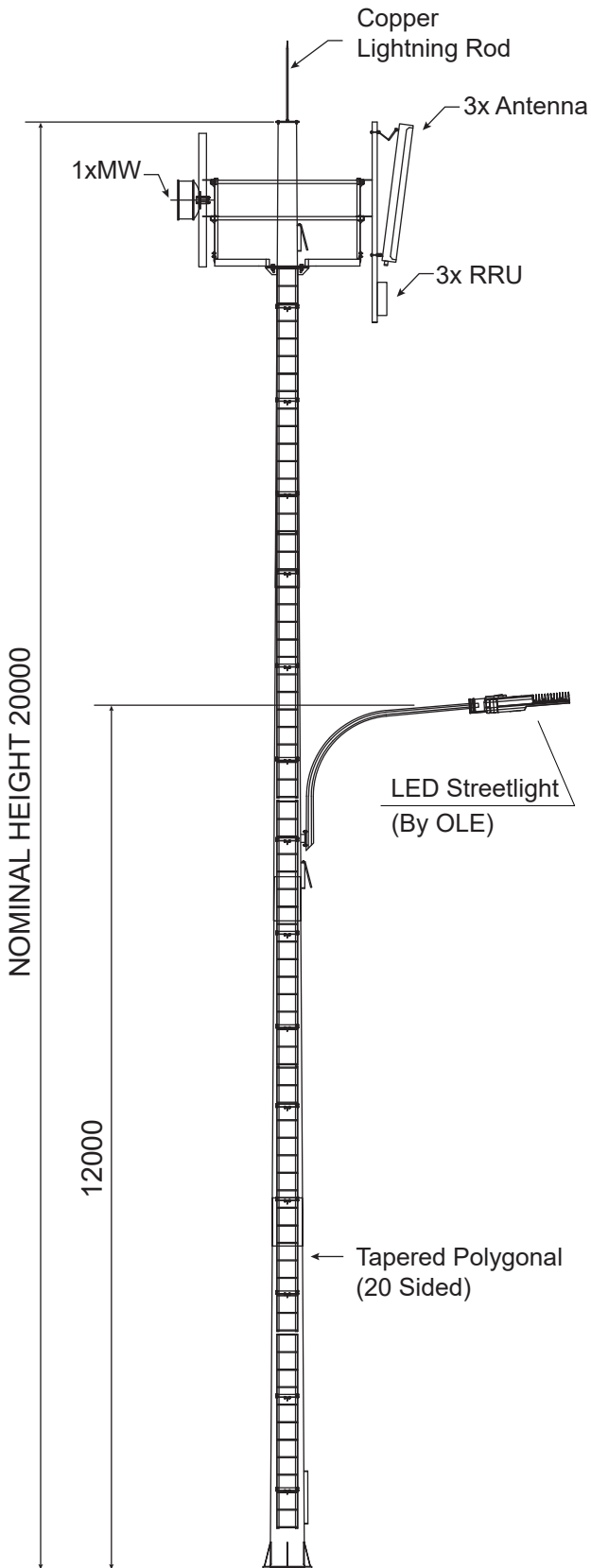
➤ Kepala Batas, Pulau Pinang, Malaysia



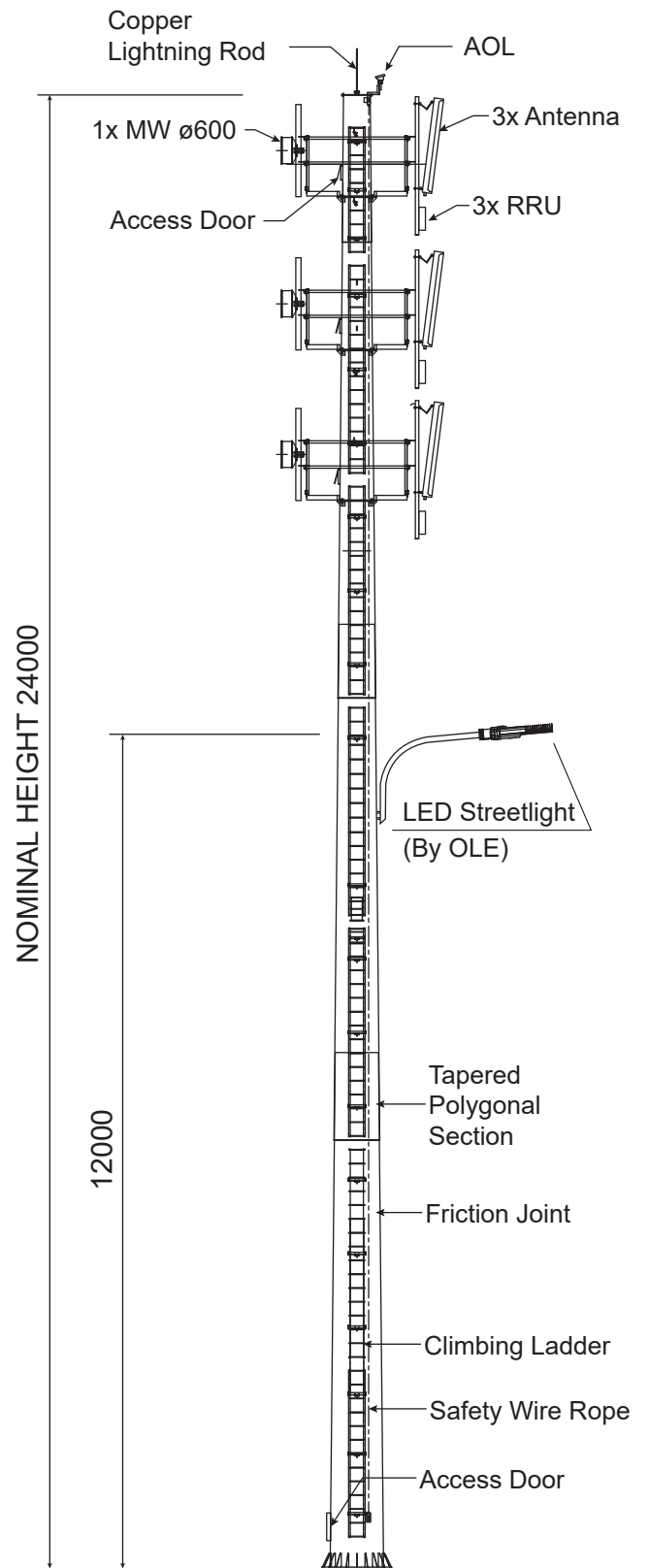
15M Monopole 1 Station



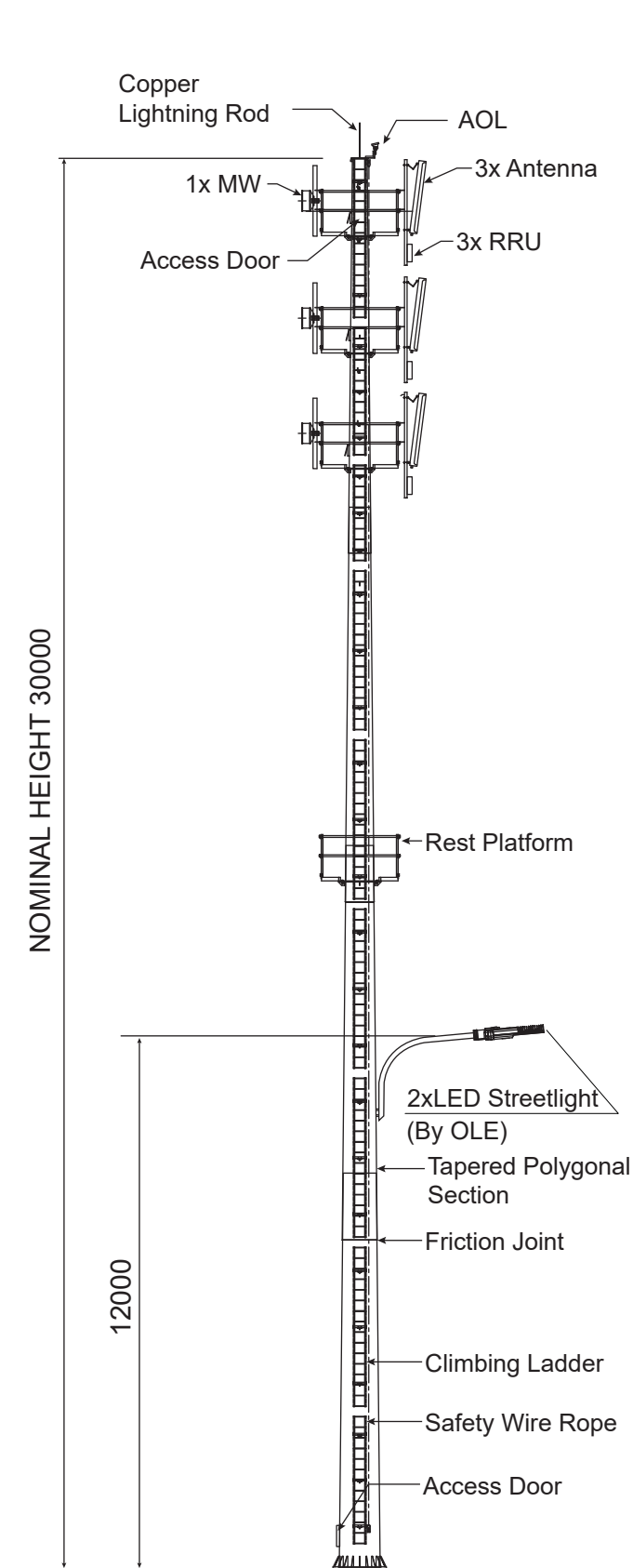
18M Monopole 1 Station



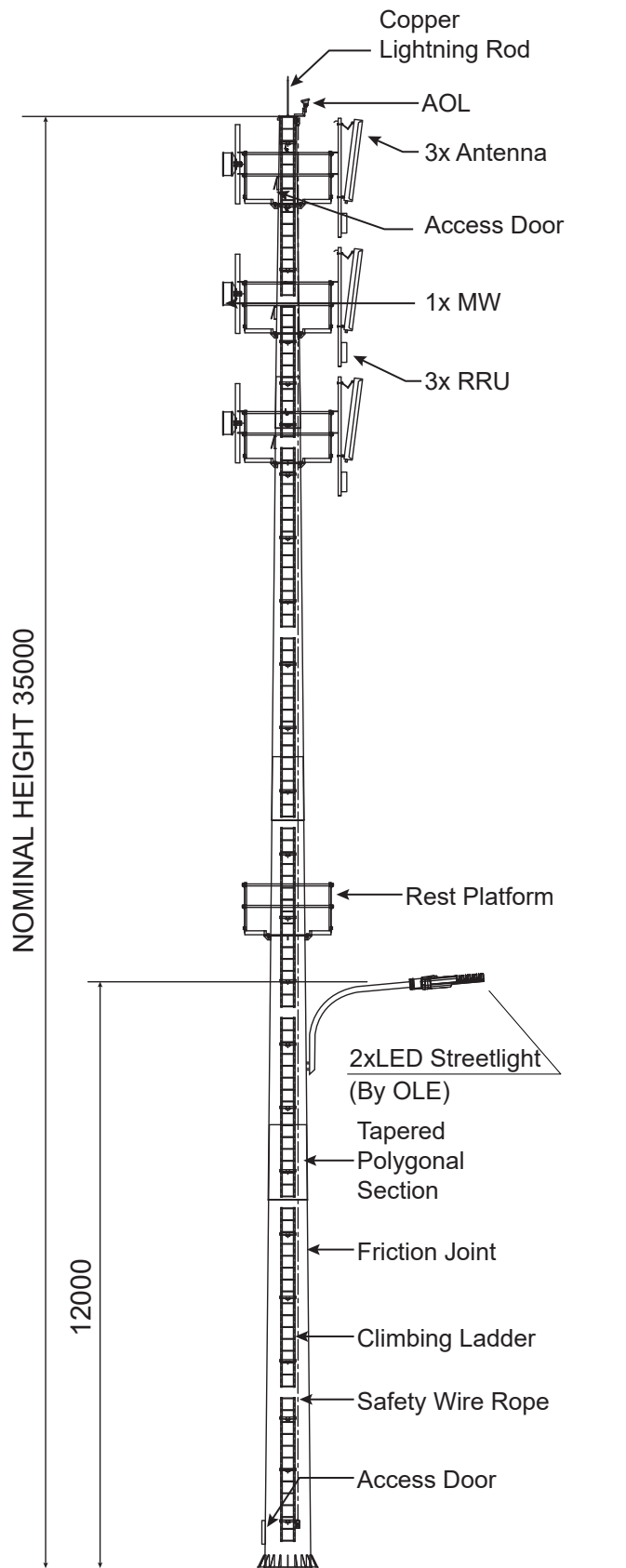
20M Monopole 1 Station



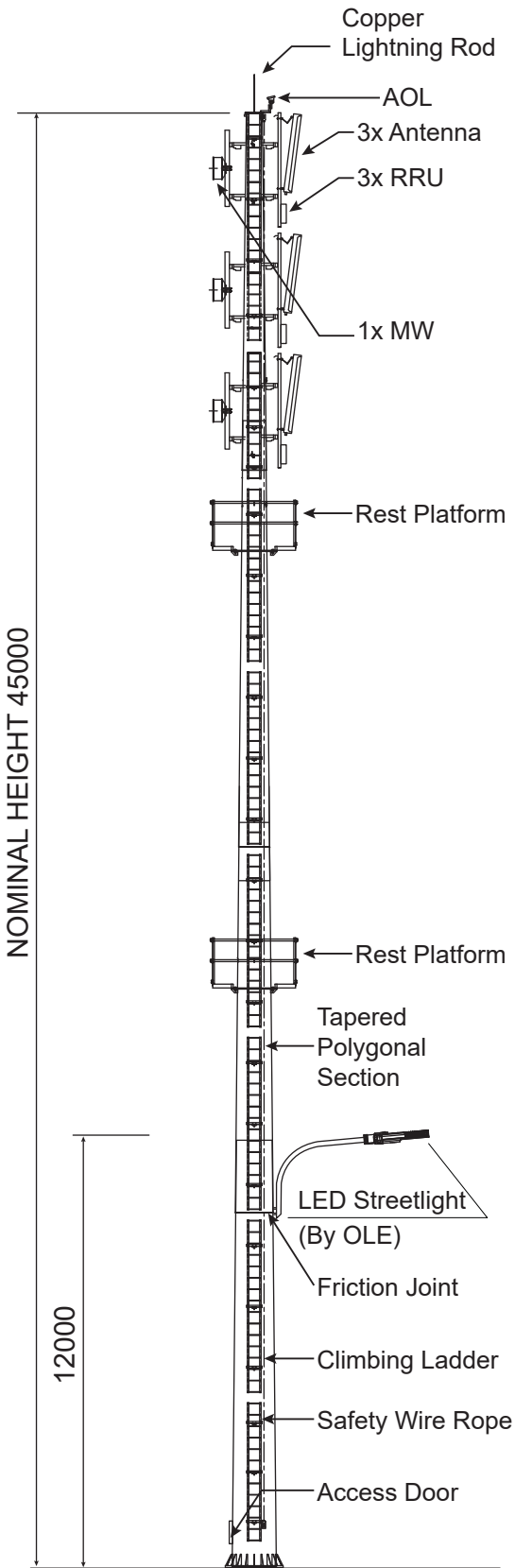
24M Monopole 3 Station



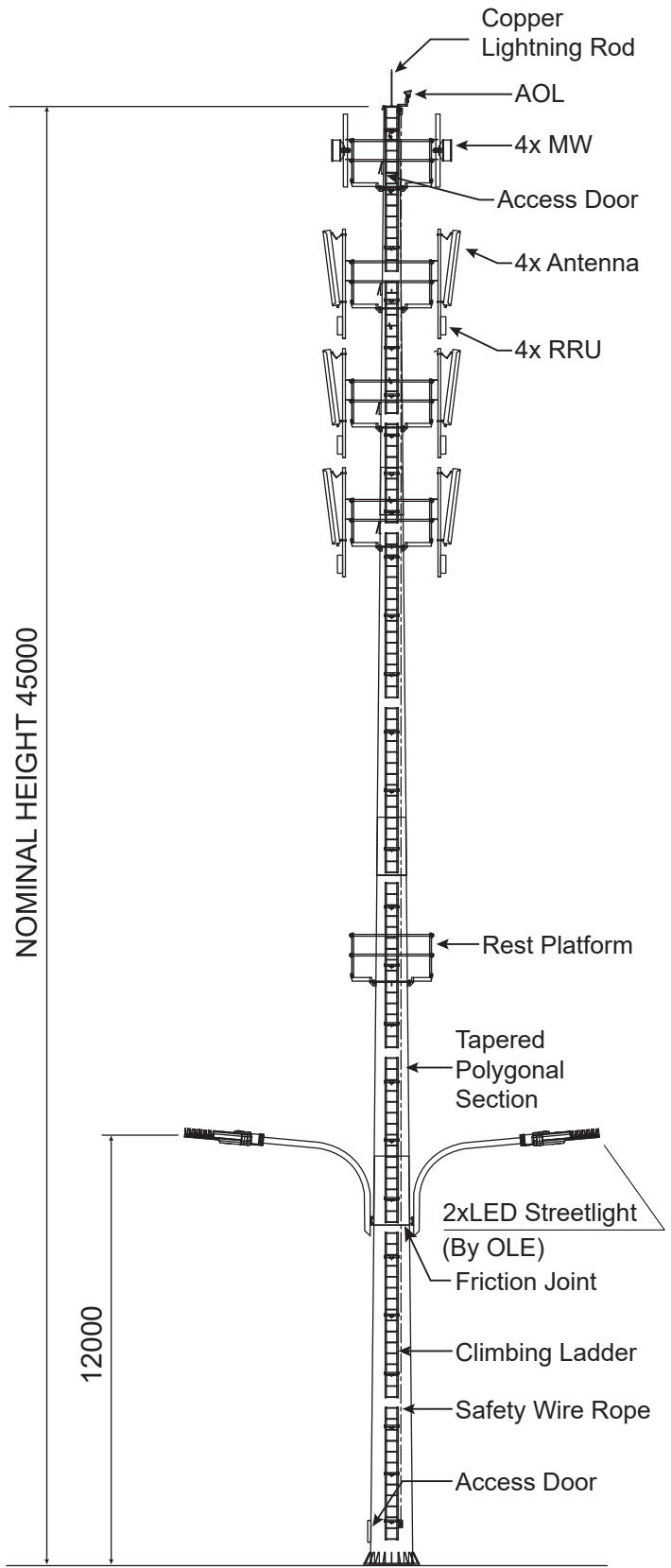
30M Monopole 3 Station



35M Monopole 3 Station



45M Monopole 3 Station



45M Monopole 4 Station



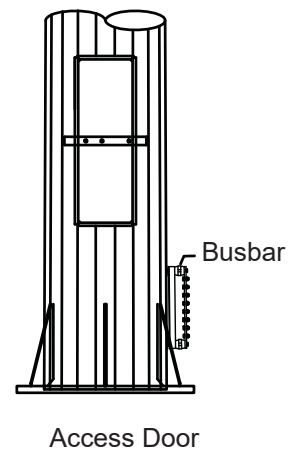
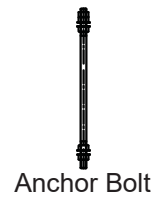
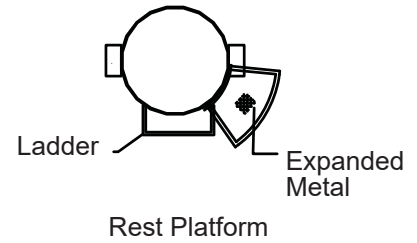
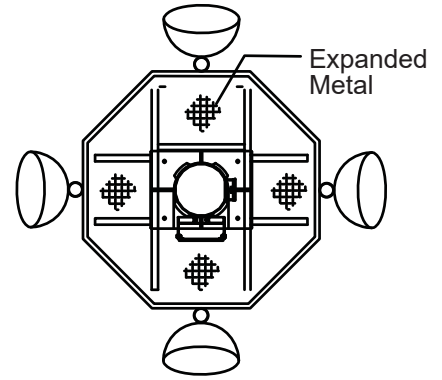
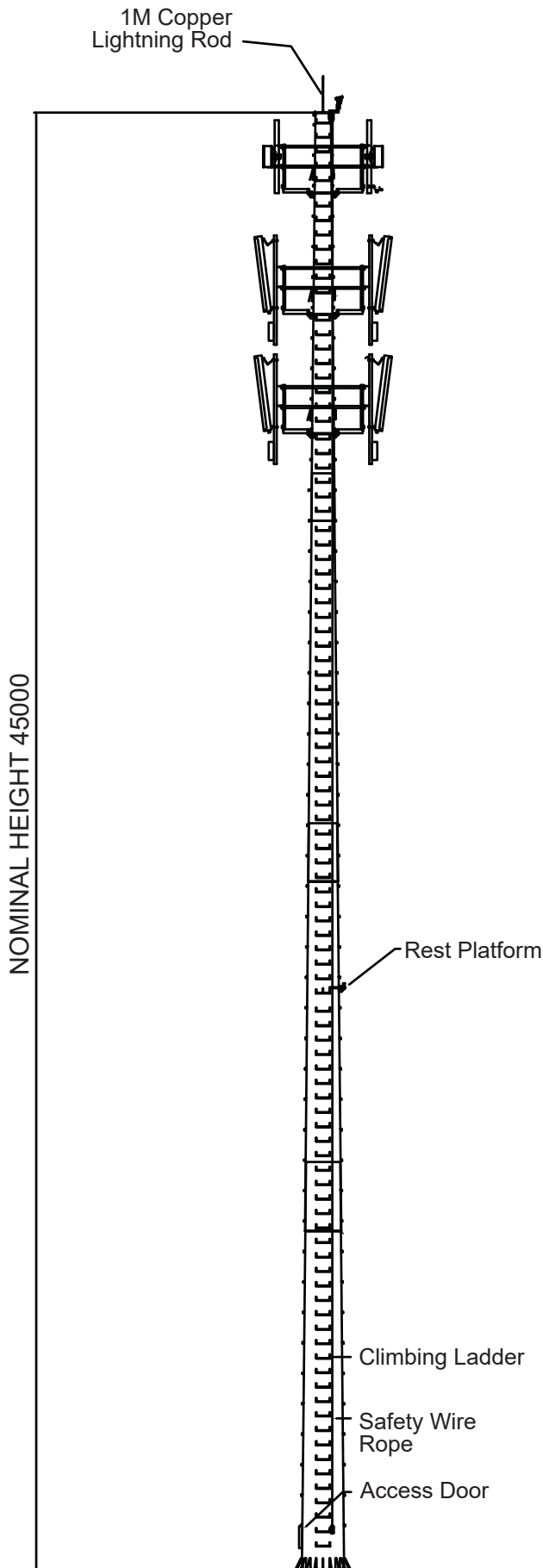
Application

Telecommunication

➤ Bukit Jana, Taiping, Perak

TELECOMMUNICATION POLE

Monopole / Antenna Pole / Climbing Rung with Rest Platform

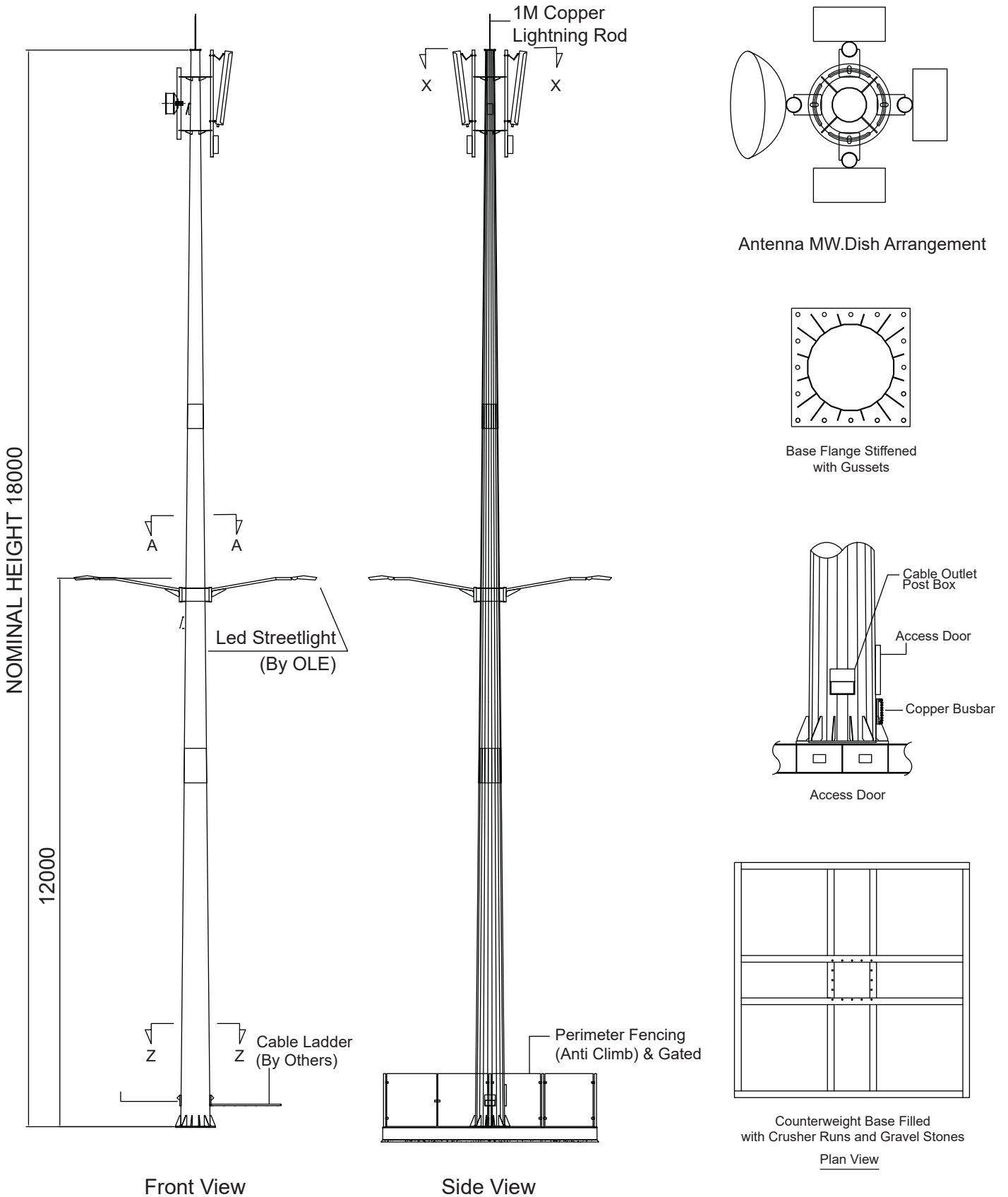




Application

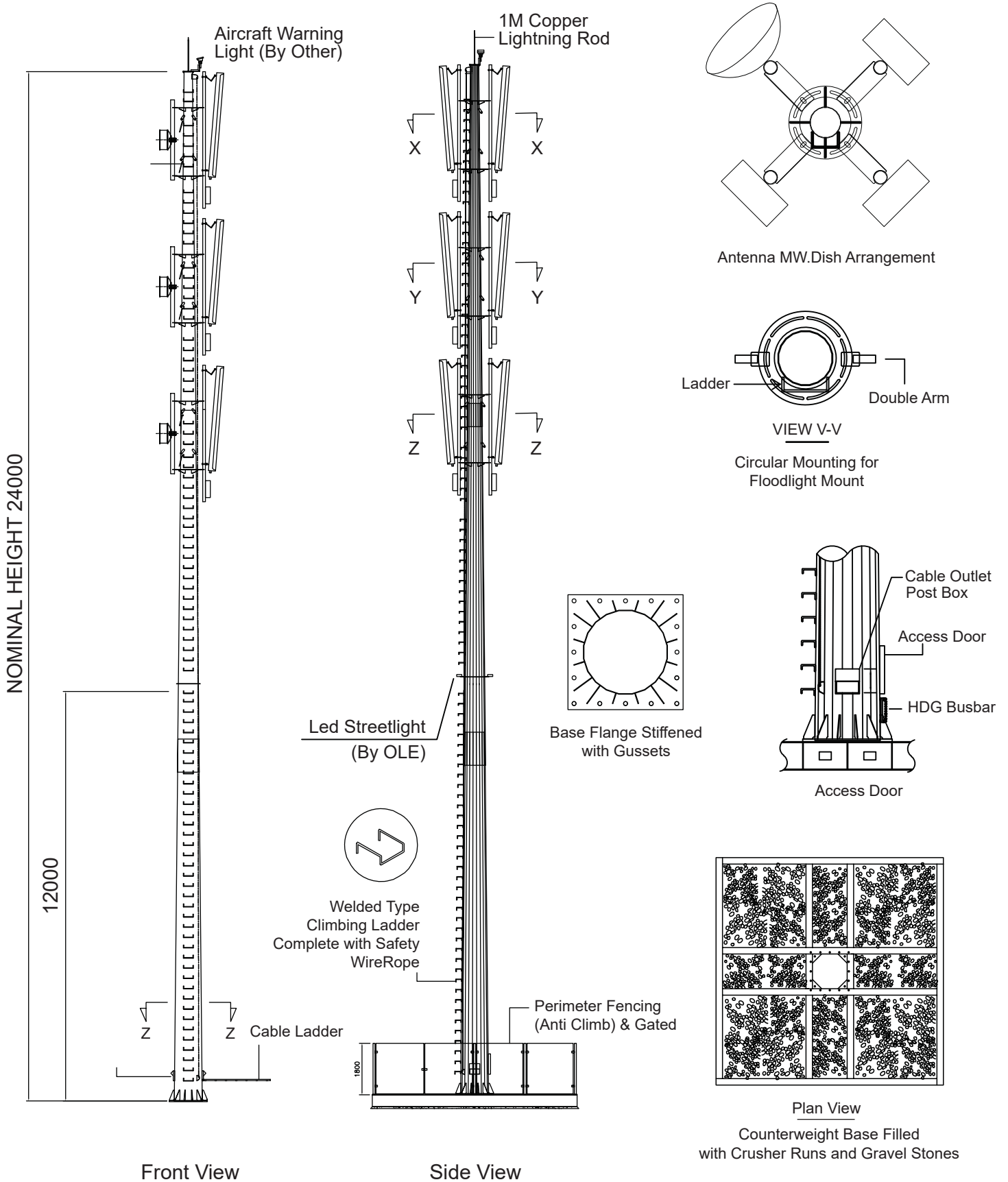
Telecommunication

➤ Taman Desa, Kuala Lumpur



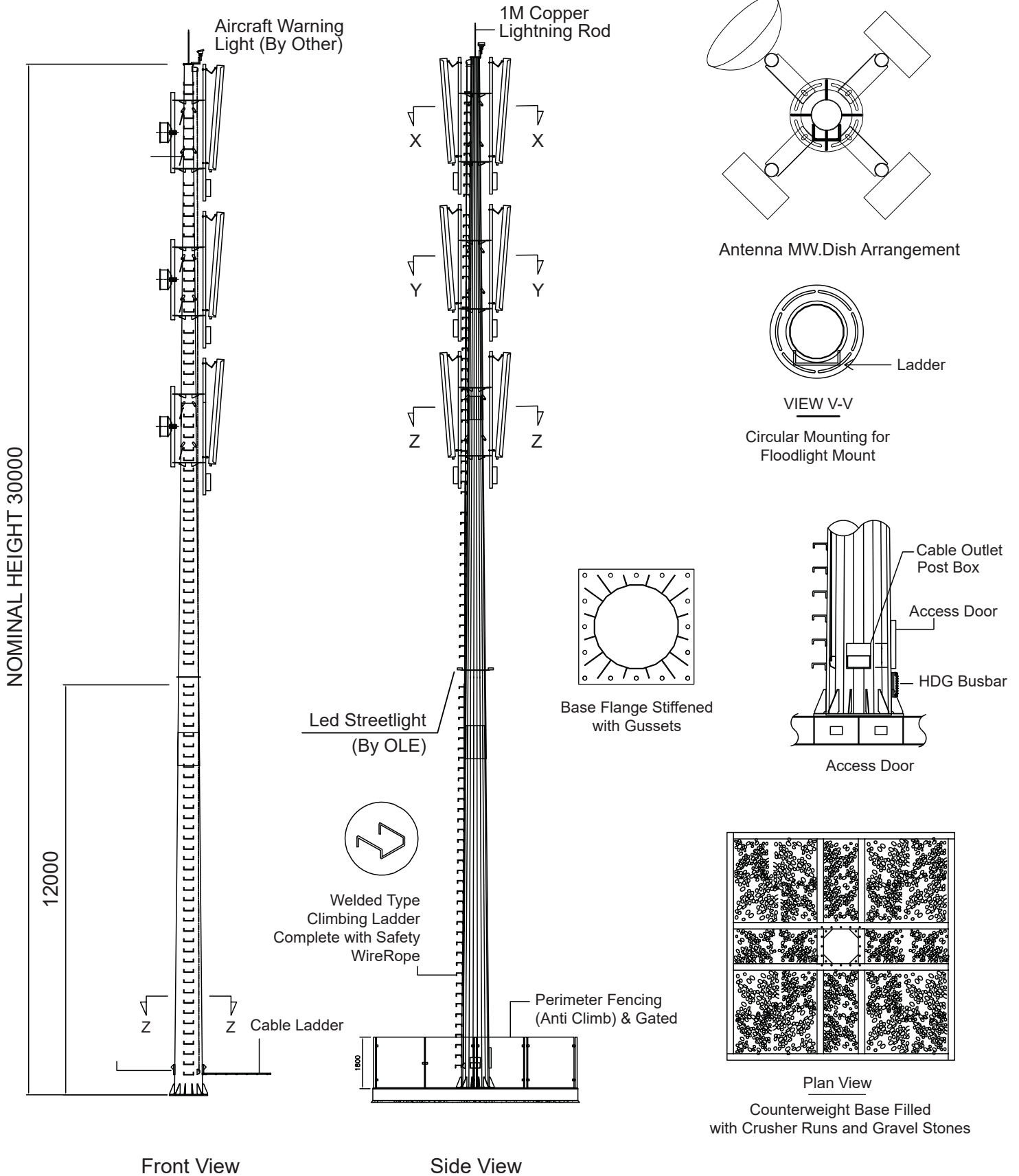
TELECOMMUNICATION POLE

Monopole / Rapid Deployment Structure Pole



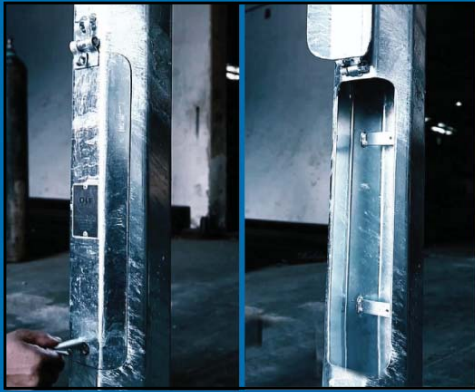
TELECOMMUNICATION POLE

Monopole / Rapid Deployment Structure Pole



Accessories

Type of Service Door



Top Pivot Hinge c/w
Single Locking System



Mid Barrel Hinge c/w
Single Locking System



Mid Barrel Hinge c/w
Double Locking System



Mid Flush Hinge c/w
Double Locking System

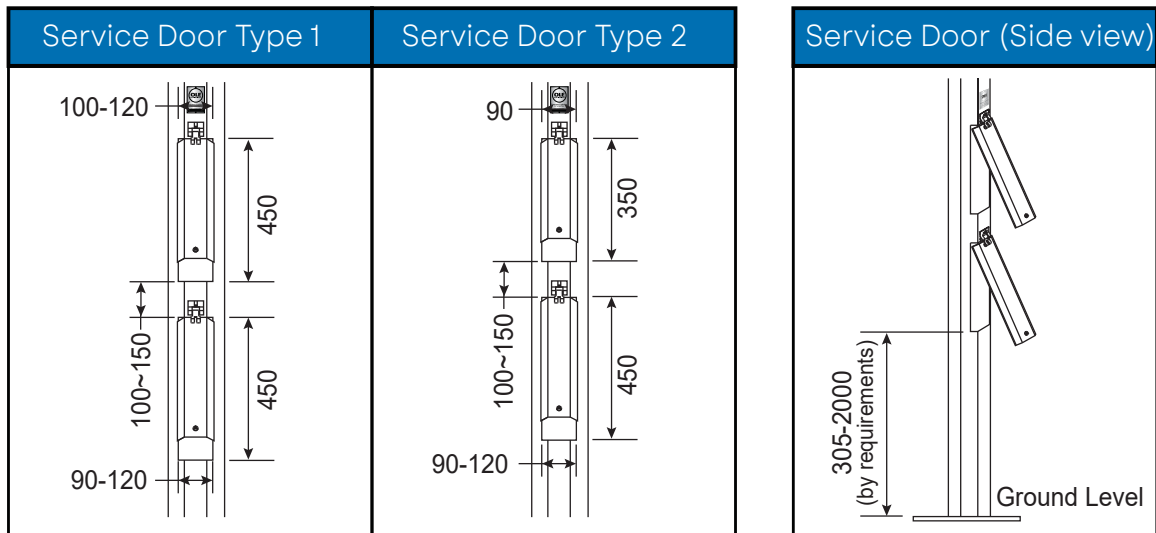


Sliding Service Door
c/w Locking Guard
& Handle



Sliding Service Door
c/w Special Locking
System

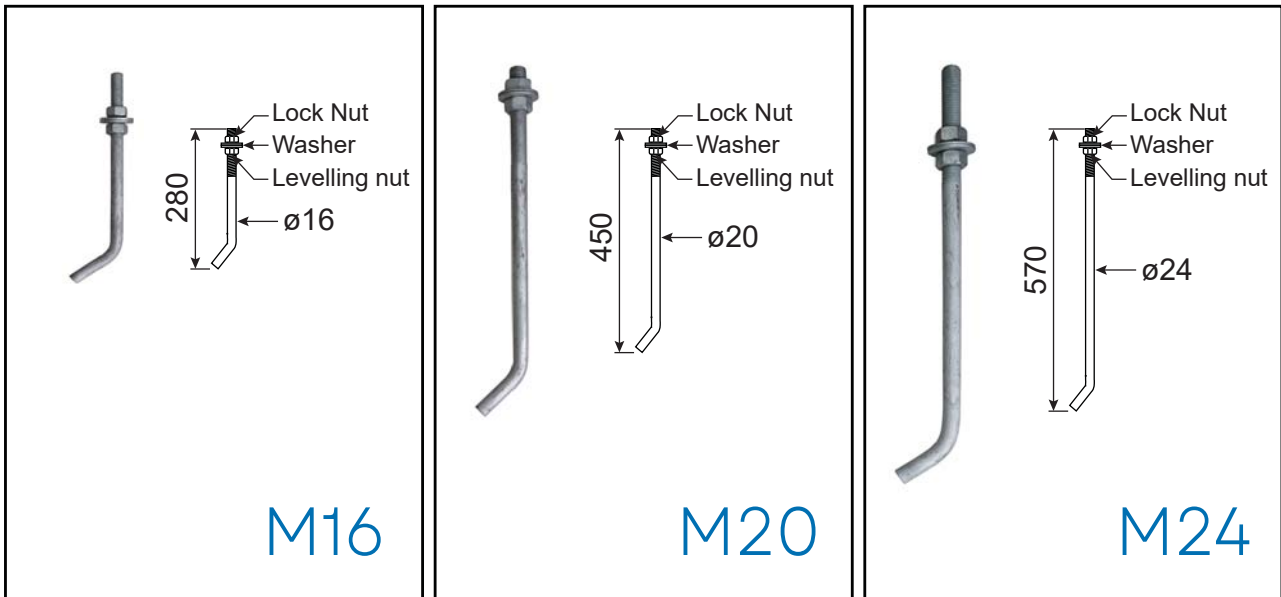
2 Type of Service Doors



Dimension and height of service doors depends on specific design and pole height requirements

J-Bolt

Applicable amenity lighting pole, octagonal pole, decorative pole and other.



I/J-Bolt

Applicable heavy duty pole, highmast, monopole/telecommunication pole and other.



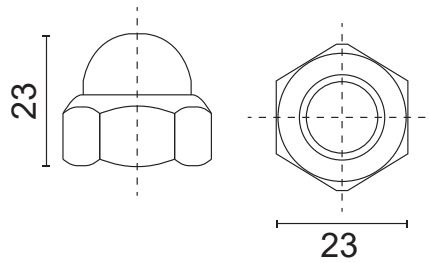
Accessories

A cap nut serves to protect the bolt threads underneath, but also provides a cleaner appearance, and may improve safety on certain joints and applications.

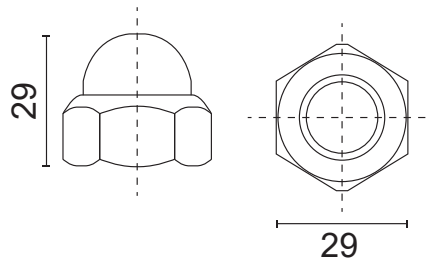
Application

Applicable amenity lighting pole, octagonal pole, decorative pole and other.

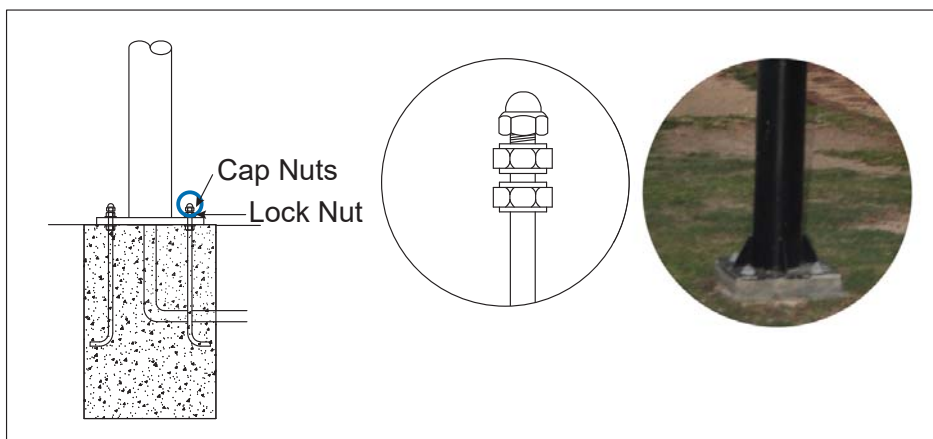
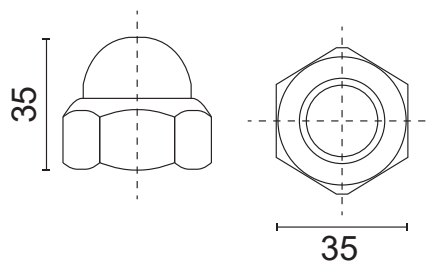
OLE Domed Cap Nuts - M16



OLE Domed Cap Nuts - M20



OLE Domed Cap Nuts - M24





Highmast Pole for Stadium Sultan Sulaiman, Klang, Selangor



Floodlight Pole Tun Razak National Tennis Centre, Jalan Duta, Kuala Lumpur



Floodlight Mid-Hinge Pole Stadium MPKJ, Bandar Baru Bangi, Selangor



Highmast Pole Tanjung Sepat, Selangor



Mid-Hinge Pole Shah Alam, Selangor



Floodlight Octagonal Pole Parking Padang Astaka, Selangor



Octagonal Pole WP27 - Pan Borneo Highway, Sabah



Octagonal Pole The Henge, Kepong, Kuala Lumpur



Octagonal Pole Majestic Sanctuary, Rawang, Selangor



Monopole
Taman Melati, Taiping, Perak



Monopole
Pengkalan Hulu, Perak



Monopole
Jalan Damai Budi, Kuala Lumpur



Monopole
Seri Kembangan, Selangor



5G Monopole
Taman Kepong, Kuala Lumpur



5G Monopole
Kuchai Entrepreneurs Park, Kuala Lumpur



5G Monopole
Persiaran Gurney, Pulau Pinang



5G Monopole
Jalan Kelawai, George Town, Pulau Pinang



5G Monopole
Cyberjaya, Selangor

Certificates

Utility Innovation - Door Mechanism



MALAYSIA

CERTIFICATE FOR A UTILITY INNOVATION

In accordance with Section 17A and 31 (2) of the Patents Act 1983 a certificate for a utility innovation having grant number MY-205538-A has been granted in respect of an innovation having the following particulars:

TITLE : DOOR MECHANISM FOR LAMP POST

FILING DATE : 29 DECEMBER 2020

PRIORITY DATE : NONE

CERTIFICATE OWNER : OVERSEA LIGHTING & ELECTRIC (M) SDN BHD
LOT 6595, JALAN KPB 12B, KAWASAN INDUSTRI
KAMPUNG BARU BALAKONG,
43300 SERI KEMBANGAN SELANGOR
MALAYSIA

NAME OF INNOVATOR : WONG SEE KEONG
YAP WAI CHUNG

DATE OF GRANT : 24 OCTOBER 2024

Dated this 24 day of OCTOBER 2024


(KAMAL KORMIN)
Registrar of Patents
MALAYSIA

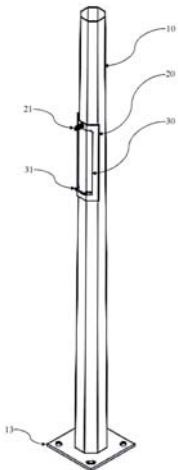


Fig.1

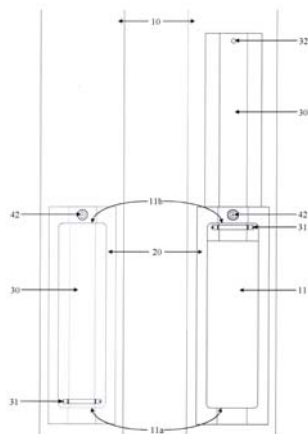


Fig.2a

Fig.2b

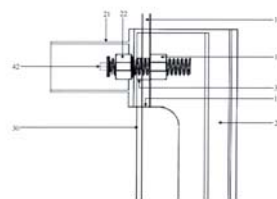


Fig.3a

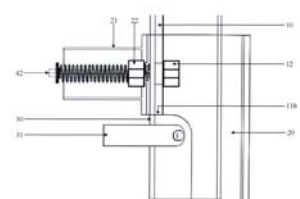


Fig.3b

Certificates

High Mast Steel Lighting Column



No Lesen : **PC013697**
Licence No :

LESEN PENSIJILAN BARANGAN
Product Certification Licence



SIRIM QAS International Sdn. Bhd. dengan ini menganugerahkan kepada
SIRIM QAS International Sdn. Bhd. hereby grants to

OVERSEA LIGHTING & ELECTRIC (M) SDN. BHD.
LOT 6595, JALAN KP/B 12B
KAWASAN INDUSTRI
KAMPUNG BARU BALAKONG
43300 SERI KEMBANGAN
SELANGOR, MALAYSIA

Lesen untuk menggunakan Tanda Pensijilan di atas barangan
a licence to use the Certification Mark on

HIGH MAST STEEL LIGHTING COLUMN

Please refer to detail in the **SCHEDULE**

sebagai mematuhi keperluan
as complying with

AASHTO : 2013



Nur Fadhilah binti Muhammad
Ketua Pegawai Eksekutif
Chief Executive Officer
SIRIM QAS International Sdn. Bhd.



SIRIM QAS International Sdn. Bhd.
(No. Syarikat: 199601037981(410334-X))

1, Persiaran Dato' Menteri
Sekoyen 7, Peti Surat 7035
40700 Shah Alam
Selangor Darul Ehsan
MALAYSIA.

Tel : 603-5544 6000
Emel : cservice@sirim.my
<https://www.sirim-qas.com.my>
<https://www.malaysiancertified.com.my>


Tarikh Mula Pensijilan : 05 June 2024
Certified Since

Sah Sehingga : 05 June 2025
Valid Until

Tarikh Dikeluarkan : 07 June 2024
Issue Date

No Siri : 098723
Serial No


Lesen ini dianugerahkan tertakik kepada syarat-syarat Perjanjian Pensijilan Barangan SIRIM QAS International Sdn. Bhd.
This licence is granted subject to the provisions of the Product Certification Agreement of SIRIM QAS International Sdn. Bhd.



No Lesen : **PC013697**
Licence No :

SCHEDULE

OVERSEA LIGHTING & ELECTRIC (M) SDN. BHD.



Trade Mark :OLE
Model :HEXADECAGONAL
Rating : GALVANIZED COATING COMPLIED TO AASHTO M 111
Size : MAXIMUM HEIGHT = 30 M

Factory Name and Location :
OVERSEA DECO INDUSTRIAL SDN. BHD.
NO. 15, JALAN HI-TECH 7/1
KAWASAN PERINDUSTRIAN HI-TECH 7
43500 SEMENYIH
SELANGOR, MALAYSIA

End of page

SIRIM QAS International Sdn. Bhd.
(No. Syarikat: 199601037981(410334-X))

1, Persiaran Dato' Menteri
Sekoyen 7, Peti Surat 7035
40700 Shah Alam
Selangor Darul Ehsan
MALAYSIA.

Tel : 603-5544 6000
Emel : cservice@sirim.my
<https://www.sirim-qas.com.my>
<https://www.malaysiancertified.com.my>

Tarikh Mula Pensijilan : 05 June 2024
Certified Since

Sah Sehingga : 05 June 2025
Valid Until

Tarikh Dikeluarkan : 07 June 2024
Issue Date

No Siri : 098723
Serial No

Lesen ini dianugerahkan tertakik kepada syarat-syarat Perjanjian Pensijilan Barangan SIRIM QAS International Sdn. Bhd.
This licence is granted subject to the provisions of the Product Certification Agreement of SIRIM QAS International Sdn. Bhd.

Page 1 of 1

Certificates

Steel Lighting Column



SIRIM QAS
INTERNATIONAL

No Lesen : **PC002490**
Licence No :

LESEN PENSIJILAN BARANGAN

Product Certification Licence



SIRIM

SIRIM QAS International Sdn. Bhd. dengan ini menganugerahkan kepada
SIRIM QAS International Sdn. Bhd. hereby grants to

OVERSEA LIGHTING & ELECTRIC (M) SDN. BHD.
LOT 6595, JALAN KP8 12B
KAWASAN INDUSTRI
KAMPUNG BARU BALAKONG
43300 SERI KEMBANGAN
SELANGOR, MALAYSIA

Lesen untuk menggunakan Tanda Pensijilan di atas barangan
a licence to use the Certification Mark on

STEEL LIGHTING COLUMN

Please refer to detail in the SCHEDULE

sebagai mematuhi keperluan
as complying with

BS EN 40-5 : 2002



Nur Fadhilah binti Muhammad
Ketua Pegawai Eksekutif
Chief Executive Officer
SIRIM QAS International Sdn. Bhd.



SIRIM QAS International Sdn. Bhd.
(No. Syarikat: 199601037981 (410334-X))

1, Persiaran Dato' Menteri
Seksyen 2, Peti Surat 7035
40700 Shah Alam
Selangor Darul Ehsan
MALAYSIA.
Tel : 603-5544 6000
Email : cservicqas@sirim.my
<https://www.sirim-qas.com.my>
<https://www.malaysiancertificed.com.my>


Tarikh Mula Pensijilan : 26 August 2016
Certified Since

Sah Sehingga : 26 August 2025
Valid Until

Tarikh Dikeluarkan : 22 August 2024
Issue Date

No Siri : 101717
Serial No

Lesen ini dianugerahkan tertakluk kepada syarat-syarat Perjanjian Pensijilan Barangan SIRIM QAS International Sdn. Bhd.
This Licence is granted subject to the provisions of the Product Certification Agreement of SIRIM QAS International Sdn. Bhd.




SIRIM QAS
INTERNATIONAL

No Lesen : **PC002490**
Licence No :

SCHEDULE

OVERSEA LIGHTING & ELECTRIC (M) SDN. BHD.



SIRIM

Trade Mark : OLE
Model : OLE PL TP0001-0000
Rating : CLASS 0
Type : FLANGE MOUNTED TYPE WITH CIRCULAR CROSS SECTION AND REINFORCED DEFORMED BAR
Size : UP TO AND INCLUDING HEIGHT of 12 m
GALVANISED COATING COLUMN WITH STEEL SERVICE DOOR

Trade Mark : OLE
Model : OLE PL OF0001-0000
Rating : CLASS 0
Type : FLANGE MOUNTED TYPE WITH OCTAGONAL CROSS SECTION
Size : UP TO AND INCLUDING HEIGHT of 12 m
GALVANISED COATING COLUMN WITH STEEL SERVICE DOOR

Trade Mark : OLE
Model : OLE PL OP0001-0000
Rating : CLASS 0
Type : PLANTED TYPE WITH OCTAGONAL CROSS SECTION
Size : UP TO AND INCLUDING HEIGHT of 12 m
GALVANISED COATING COLUMN WITH STEEL SERVICE DOOR

End of page

SIRIM QAS International Sdn. Bhd.
(No. Syarikat: 199601037981 (410334-X))

1, Persiaran Dato' Menteri
Seksyen 2, Peti Surat 7035
40700 Shah Alam
Selangor Darul Ehsan
MALAYSIA.
Tel : 603-5544 6000
Email : cservicqas@sirim.my
<https://www.sirim-qas.com.my>
<https://www.malaysiancertificed.com.my>

Tarikh Mula Pensijilan : 26 August 2016
Certified Since

Sah Sehingga : 26 August 2025
Valid Until

Tarikh Dikeluarkan : 22 August 2024
Issue Date

No Siri : 101717
Serial No

Lesen ini dianugerahkan tertakluk kepada syarat-syarat Perjanjian Pensijilan Barangan SIRIM QAS International Sdn. Bhd.
This Licence is granted subject to the provisions of the Product Certification Agreement of SIRIM QAS International Sdn. Bhd.

Page 1 of 1



SINCE 1993

OVERSEA LIGHTING & ELECTRIC (M) SDN. BHD. (272782-K)

LED Factory

Lot 6595, Jalan KPB 12B,
Kawasan Industri Kampung Baru Balakong,
43300 Seri Kembangan,
Selangor Darul Ehsan, Malaysia.

Tel: 603-8964 1878, 8964 1888, 8964 1899

Fax: 603-8964 1868

Email: info@oversealighting.com

Website: www.oversealighting.com

Pole Factory

PT3481 (Lot996), Jalan Sungai Lalang Batu 22 1/2,
43500 Semenyih, Selangor Darul Ehsan, Malaysia.

