



Since 1993

# OLE CHAMPION

Highmast | Sports | Arena & Stadium Lighting



[www.oversealighting.com](http://www.oversealighting.com)

# OLE CHAMPION

Highmast | Sports | Arena & Stadium Lighting

IP66

IP Protection

IK09

IK Rating

>70

CRI

3000-6500K

CCT

220V~240V

Input Voltage



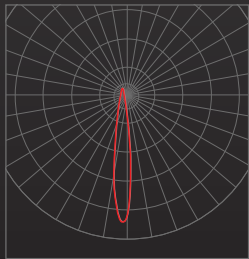
Made in Malaysia

SIRIM

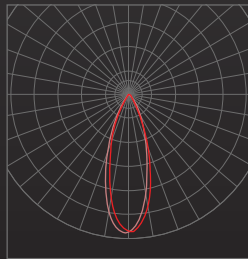
Certified

## Various Light Optics

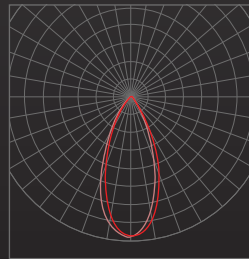
Champion is a professional high power sports lighting fixture with a variety of beam optics.



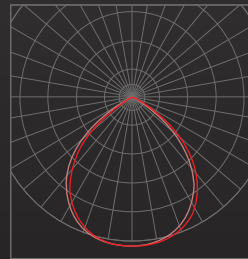
15°



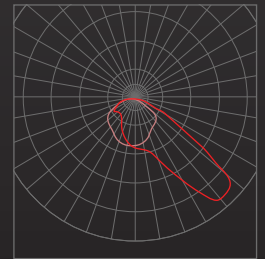
30°



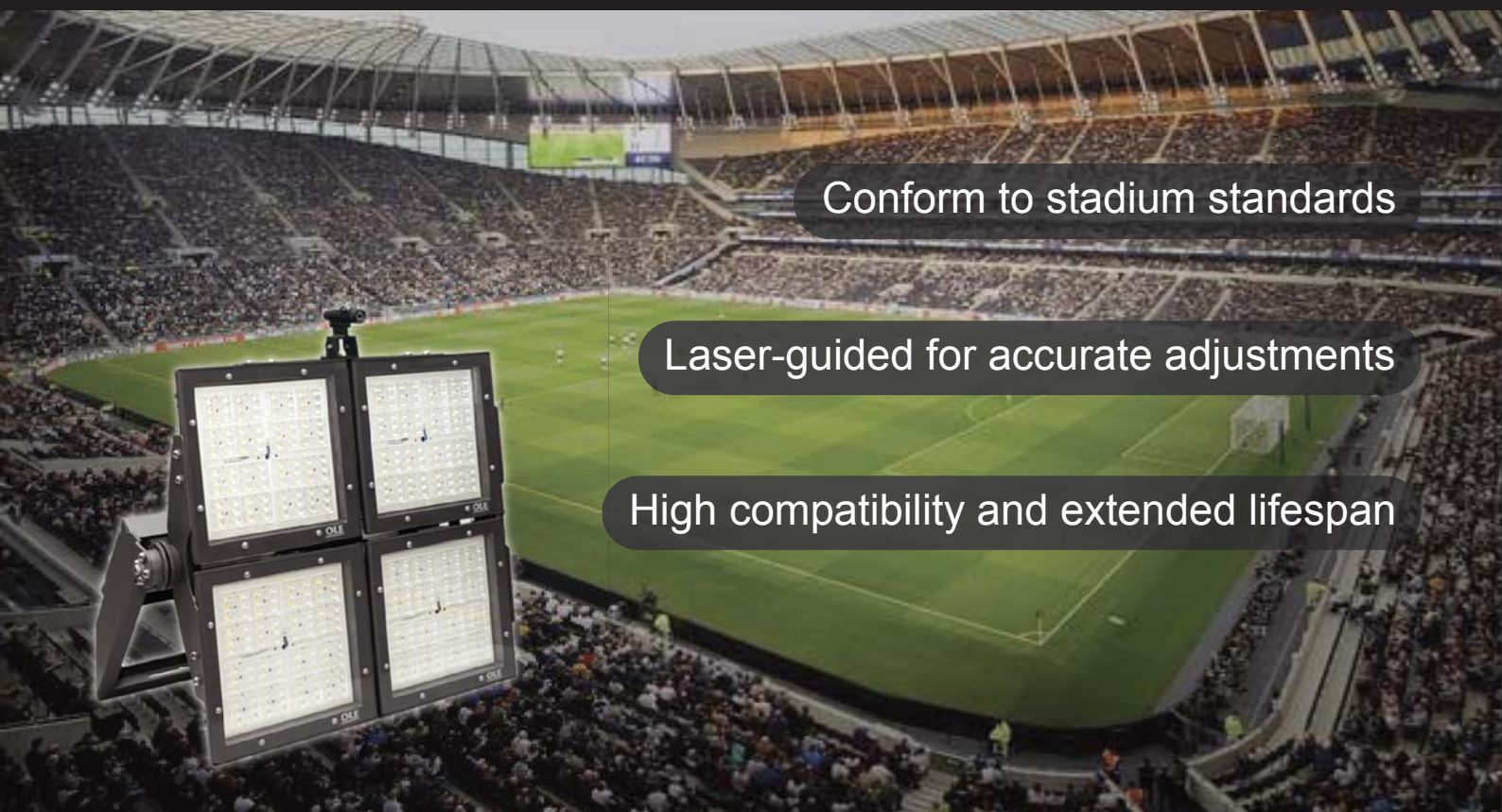
60°



90°



T2



Conform to stadium standards

Laser-guided for accurate adjustments

High compatibility and extended lifespan

# New Design Unique Features



## Aiming Device

Deliver high-quality stadium lighting debugging, accurately project lighting points, achieve professional level lighting effects.



## LED Module

High Performance LED with High Efficiency Lens



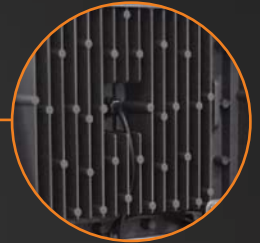
## High Luminosity

Designed to emit a large amount of light, ensuring excellent visibility across the entire sports field or stadium.



## Excellent Heatsink

High thermal conductivity enhances heat dissipation efficiency and prolong LED life span



## Flexible & Adjustable

Support 270° flexible angle adjustment for a single lamp, and the combination group of lamp caps can also be adjusted by 270° on the bracket.



## Gear Compartment

IP67 driver with IP68 connector



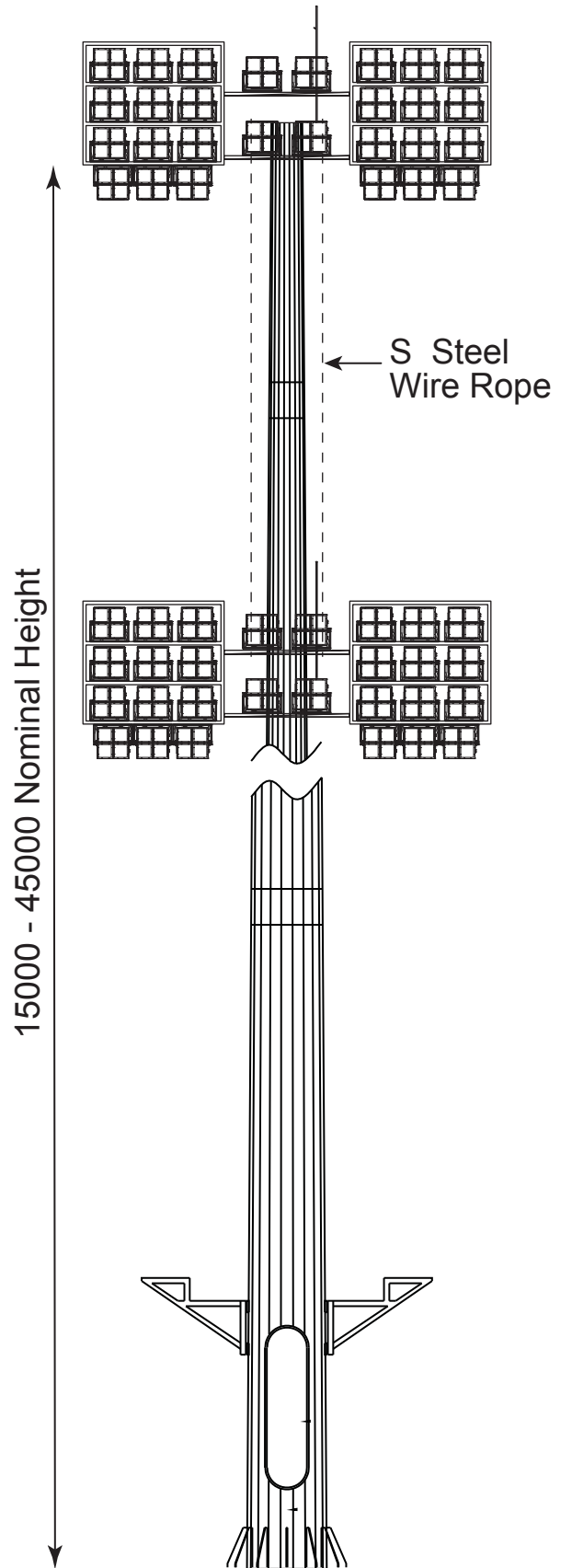
## Features

LED Lumen Maintenance : L90 @ 70,000 hours  
Working Temperature : -25°C ~ 50°C  
Storage Temperature : -25°C ~ 80°C  
CRI : ≥70 (Optional ≥80, ≥90)  
Power Factor : >0.95 at Full Load  
THD : <20% at Full Load  
IP Protection : IP66 Optical Compartment

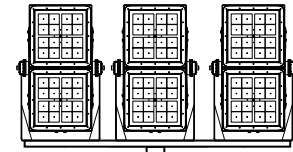
## Material

Casing : Pressure Casted Aluminium ADC12, Powder-Coated Finishing  
Cover : 5mm Tempered Glass  
Bracket : Mild Steel / Stainless Steel (Optional)  
Dimming : (Optional) 0-10V / DALI / Timer

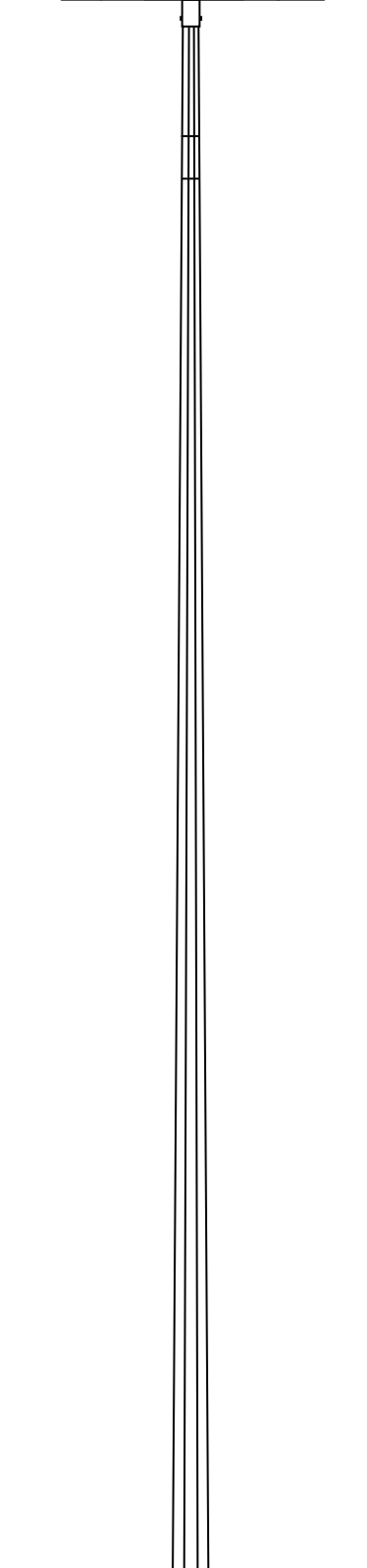
30M-45M Stadium Mast Pole



**6M-15M Floodlight Pole**

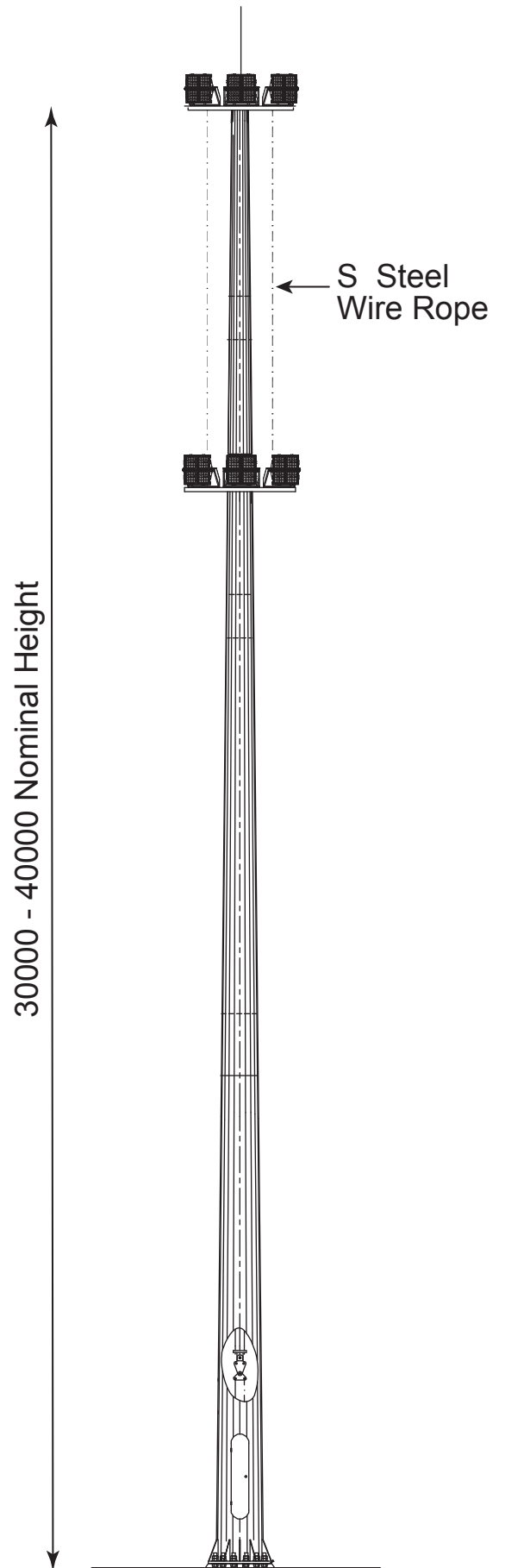
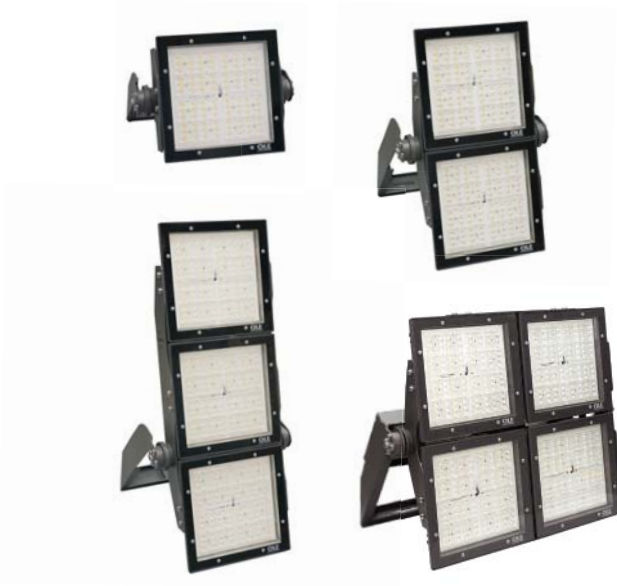


6000 - 10000 Nominal Height



Highmast Lighting

20M-40M Highmast



## Specifications

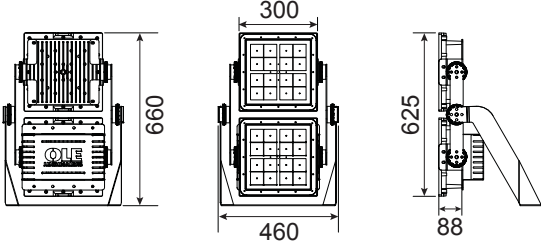
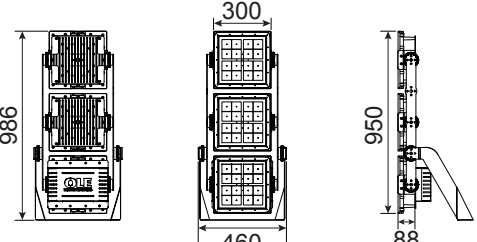
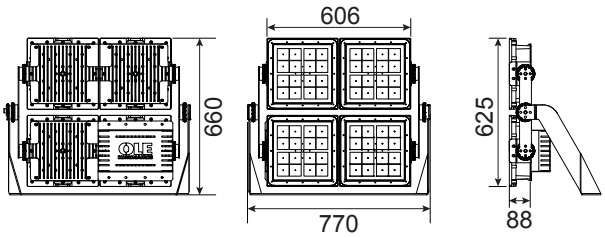
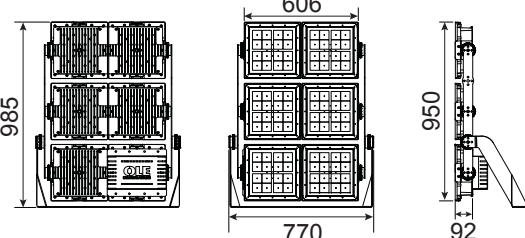
Model No.	Power	Input current	Weight	CCT	Efficacy	Lumen
OLE C400	400W	1.73A	Fitting:10kg / Driver:2kg	3000K 4000K 5700K 6500K	130 lm/W 136 lm/W 133 lm/W 132 lm/W	52000 lm 54400 lm 53200 lm 52800 lm
OLE C800 OLE C800-AD	800W	3.48A	Fitting:17kg / Driver:5kg Fitting:18kg / Driver:5kg	3000K 4000K 5700K 6500K	130 lm/W 136 lm/W 133 lm/W 132 lm/W	104000 lm 108800 lm 106400 lm 105600 lm
OLE C1200 OLE C1200-AD	1200W	5.00A	Fitting:23kg / Driver:5kg Fitting:27kg / Driver:5kg	3000K 4000K 5700K 6500K	130 lm/W 136 lm/W 133 lm/W 132 lm/W	156000 lm 163200 lm 159600 lm 158400 lm
OLE C1500 OLE C1500-AD	1500W	6.51A	Fitting:31kg / Driver:9kg Fitting:35kg / Driver:9kg	3000K 4000K 5700K 6500K	130 lm/W 136 lm/W 133 lm/W 132 lm/W	195000 lm 204000 lm 199500 lm 198000 lm
OLE C1800 OLE C1800-AD	1800W	7.83A	Fitting:42kg / Driver:11kg Fitting:48kg / Driver:11kg	3000K 4000K 5700K 6500K	130 lm/W 136 lm/W 133 lm/W 132 lm/W	234000 lm 244800 lm 239400 lm 227600 lm

\* Flux data based on Ta = 25°C, CCT & Lumen +/-10%

## Dimensions - Standard Module

<p style="text-align: center;"><b>OLE C400</b></p> <p>Carton Size: (L)600x(W)460x(H)180</p>	<p style="text-align: center;"><b>OLE C800</b></p> <p>Carton Size: (L)790x(W)600x(H)180</p>
<p style="text-align: center;"><b>OLE C1200</b></p> <p>Carton Size: (L)1100x(W)600x(H)180</p>	<p style="text-align: center;"><b>OLE C1500</b></p> <p>Carton Size: (L)910x(W)810x(H)180</p>
<p style="text-align: center;"><b>OLE C1800</b></p> <p>Carton Size: (L)910x(W)1290x(H)180</p>	

## Dimensions - Adjustable Module

OLE C800-AD	OLE C1200-AD
<p>Carton Size: (L)790x(W)700x(H)180</p> 	<p>Carton Size: (L)1100x(W)700x(H)180</p> 
OLE C1500-AD	OLE C1800-AD
<p>Carton Size: (L)1000x(W)810x(H)180</p> 	<p>Carton Size: (L)1000x(W)1290x(H)180</p> 

## Advantages

- **Robust Illumination:** Champion provide powerful and uniform lighting, ensuring excellent visibility across the entire sports area.
- **Precise Beam Control:** Advanced optics with 15°, 30°, 60°, 90°, T2 lens allow for precise focusing and direction of light to eliminate glare with the option to add or combine a louver, full glare shield or half glare shield to achieve optimal coverage.
- **Adjustable Intensity:** Allow for adjustable light output with 270° on single lamp and also adjustment on bracket, available customization for different sports and events.
- **Remote Control:** Compatible with DALI, 0-10V, Timer and other control systems to achieve the control requirements of functional lighting, entertainment lighting or auxiliary lighting.
- **Energy Efficiency:** Utilizing advanced performance LED to deliver high brightness while minimizing energy consumption.
- **Weather Resistance:** Designed to withstand outdoor conditions, it is built to perform reliably in various weather scenarios.

## Application

Widely used to provide light to large area such as large warehouse, shipyards, car parks etc. Used at indoor & outdoor sports such as football fields, swimming pools, tennis courts etc, and also used for stadium lighting.



**Product Display**

Optional to add Louver



OLE C400



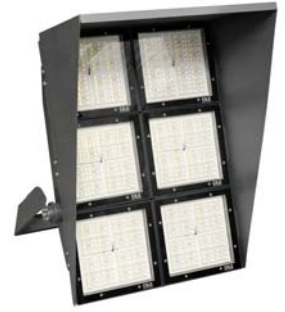
OLE C800



OLE C1200



OLE C1500



OLE C1800

Optional for Adjustable Angle



OLE C800-AD



OLE C1200-AD



OLE C1500-AD



OLE C1800-AD



# Certificates



SIRIM QAS International Sdn. Bhd.  
(Company No.: 199601037981 (410334-X))  
No.1, Persiaran Dato' Menteri, P.O.BOX 7035, Section 2,  
40700 Shah Alam, Selangor Darul Ehsan, Malaysia  
Tel: 012-2553701  
Fax: 03-55446796  
www.sirim-qas.com.my



## TEST REPORT

REPORT NO : 2024EB0431

PAGE : 1 OF 74

This Test Report refers only to samples submitted by the applicant to SIRIM QAS International Sdn. Bhd. and tested by SIRIM QAS International Sdn. Bhd. This Test Report shall not be reproduced, except in full and shall not be used for any purpose by any means or forms (including but not limited to advertising purposes) without written approval from the Head of Quality, Occupational Safety and Health & Environment (QOSHE), SIRIM QAS International Sdn. Bhd. Please refer to the last page of this Test Report for Conditions Relating to the Use of Test Report.

### THIS TEST REPORT IS ISSUED IN SECURED PDF SOFTCOPY

Applicant : OVERSEA LIGHTING & ELECTRIC (M) SDN. BHD.,  
Lot 6595, Jalan KPB 12B, Kawasan Industri,  
Kampung Baru Balakong,  
43300 Seri Kembangan, Selangor, MALAYSIA.

Manufacturer : OVERSEA LIGHTING & ELECTRIC (M) SDN. BHD.,  
Lot 6595, Jalan KPB 12B, Kawasan Industri,  
Kampung Baru Balakong,  
43300 Seri Kembangan, Selangor, MALAYSIA.

Product : LED Floodlight

Reference Standard / Method of Test : IEC 60598-2-5: 2015  
IEC 60598-1:2020

Description of sample : Brand Name: OLE Luminaires  
Model / Type: OLE CHAMPION Series (See page 2)  
Rating:  
Voltage: 220-240 V~  
Frequency: 50/60 Hz  
Wattage: See page 2  
IP Rating: IP 66

Date Received of Complete Application : 05 August 2024

Job No. : J20242120516

Description of Test Results : COMPLIED (See page 2 for details)

Issued Date : 26 September 2024

Approved Signatory;

(ABDUL HADI BIN ABDUL RANI)  
Testing Engineer



(RAFIDAH BINTI AHMAD)  
Senior Testing Executive  
Electrical & Electronics 2 Section  
Testing Services Department

# Certificates



No Lesen : **PC005073**

Licence No :

## SCHEDULE

**OVERSEA LIGHTING & ELECTRIC (M) SDN. BHD.**



Trade Mark : OLE Luminaires  
Model : OLE CHAMPION C900W  
Rating : 220-240V~, 50/60Hz, 900W, IP66

Trade Mark : OLE Luminaires  
Model : OLE CHAMPION C1200W  
Rating : 220-240V~, 50/60Hz, 1200W, IP66

**End of page**



ACB 001



SIRIM QAS International Sdn. Bhd.  
(No. Syarikat 199601037981(410334-X))

1, Persiaran Dato' Menteri  
Seksyen 2, Peti Surat 7035  
40700 Shah Alam  
Selangor Darul Ehsan  
MALAYSIA

Tel : 603-5544 6000  
Emel : [cserviceqas@sirim.my](mailto:cserviceqas@sirim.my)

<https://www.sirim-qas.com.my>  
<https://www.malaysiancertified.com.my>

**Tarikh Mula Pensijilan : 27 April 2020**

*Certified Since*

**Sah Sehingga : 27 April 2025**

*Valid Until*

**Tarikh Dikeluarkan : 23 April 2024**

*Issue Date*

**No Siri : 097183**

*Serial No*

Lesen ini dianugerahkan tertakuk kepada syarat-syarat Perjanjian Pensijilan Barangan SIRIM QAS International Sdn. Bhd.  
*This Licence is granted subject to the provisions of the Product Certification Agreement of SIRIM QAS International Sdn. Bhd.*

Page 6 of 6

# Certificates



No. Siri / Serial No. :  
KPDN/LBM/2024/1488-27900

**KEMENTERIAN PERDAGANGAN DALAM NEGERI  
DAN KOS SARA HIDUP**  
*MINISTRY OF DOMESTIC TRADE AND COST OF LIVING*

**SIJIL PENGIKTIRAFAN**  
*CERTIFICATE OF RECOGNITION*

**LOGO BARANGAN MALAYSIA**  
*MALYSIAN GOODS LOGO*

dengan ini memperakui bahawa  
*hereby certify that*

**4 SKU SEPERTI DI LAMPIRAN I**

yang dikilangkan / dikeluarkan oleh :  
*manufactured by :*

**OVERSEA LIGHTING & ELECTRIC (M) SDN. BHD.**

LOT 6595  
JALAN KPB 12B  
KAWASAN INDUSTRI KG. BARU BALAKONG  
43300 SERI KEMBANGAN  
SELANGOR

telah memenuhi syarat-syarat bagi pensijilan Logo Barangan Malaysia  
*fulfill the terms and conditions for certification of Malaysian Goods Logo*

**Tempoh sah laku : 22 Januari 2024 - 21 Januari 2027**  
*Validity : 22 January 2024 - 21 January 2027*

**KETUA SETIAUSAHA**  
*SECRETARY GENERAL*  
KEMENTERIAN PERDAGANGAN DALAM NEGERI  
DAN KOS SARA HIDUP



Tarikh / Date : 22 Januari 2024

# Certificates

LAMPIRAN 1  
No Siri/ Serial No :  
KPDN/LBM/2024/1488-27900

Kategori / Category	Produk Malaysia / Malaysian Product	Buatan Malaysia / Malaysian Made
Bilangan SKU / No. of SKU	4	0

Kategori Produk Malaysia / Malaysian Product

Bil / No	Jenama / Brand	Nama Produk / Product Name	Perincian SKU / Details of SKU
1	OLE CHAMPION C SERIES	OLE C1200W	910MM X 810MM X 180MM 38.73KG KELABU TIDAK BERKAITAN
2	OLE CHAMPION C SERIES	OLE C300W	600MM X 460MM X 180MM 11.87KG KELABU TIDAK BERKAITAN
3	OLE CHAMPION C SERIES	OLE C600W	790MM X 600MM X 180MM 22.83KG KELABU TIDAK BERKAITAN
4	OLE CHAMPION C SERIES	OLE C900W	1100MM X 600MM X 180MM 32.17KG KELABU TIDAK BERKAITAN

Tempoh sah laku : 22 JANUARI 2024 - 21 JANUARI 2027  
Validity : 22 JANUARY 2024 - 21 JANUARY 2027

# Certificates

---

## 9.0 Conclusion

Total 1 units of LED Flood Lighting (OLE CHAMPION C1800W) was subjected to vibration test. No abnormality was found on the physical units after complete the vibration test. The unit was then sent back to customer for further verification.

---

Test Location: QAV Technologies Sdn Bhd

Test Conducted by

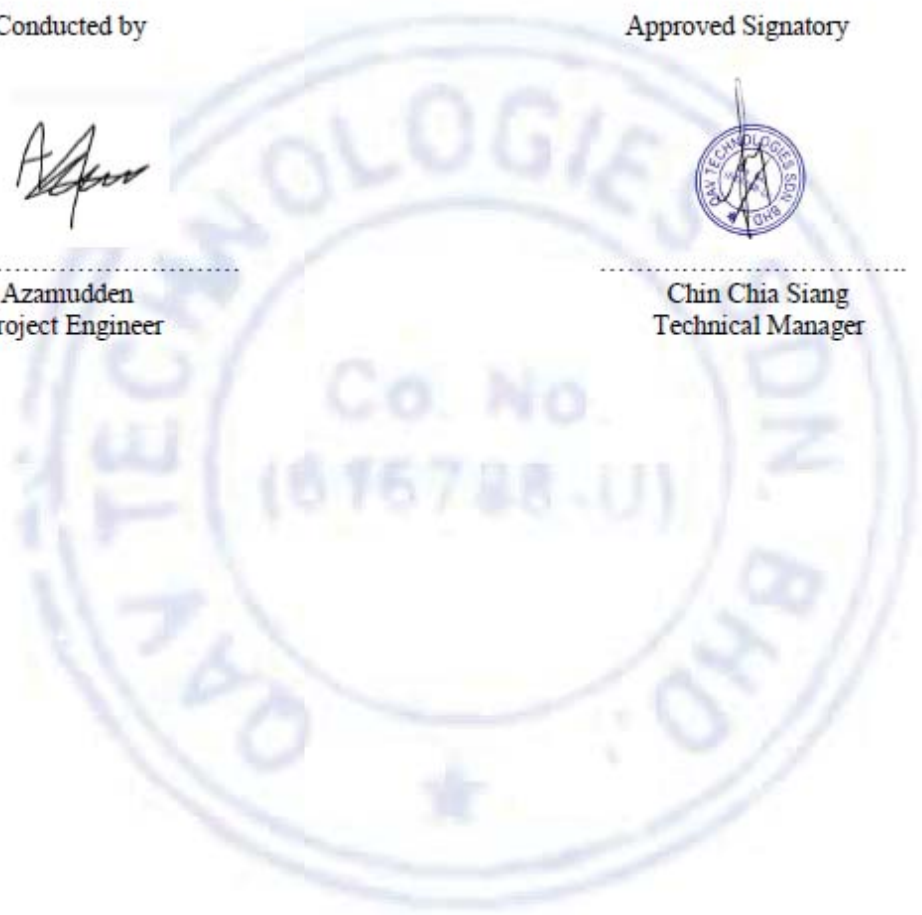
Approved Signatory



.....  
Azamudden  
Project Engineer



.....  
Chin Chia Siang  
Technical Manager



## **OVERSEA LIGHTING & ELECTRIC (M) SDN. BHD. (272782-K)**



### **LED Factory**

Lot 6595, Jalan KPB12B, Kawasan Industri Kampung Baru Balakong,  
43300 Seri Kembangan, Selangor Darul Ehsan, Malaysia.

Tel: +603-8964 1878, 8964 1888, 8964 1899

Fax: +603-8964 1868

Email: [info@oversealighting.com](mailto:info@oversealighting.com), [sales@oversealighting.com](mailto:sales@oversealighting.com)

Web: [www.oversealighting.com](http://www.oversealighting.com)

### **Pole Factory**

PT3481 (Lot996), Jalan Sg. Lalang Batu 22 1/2,  
43500 Semenyih, Selangor, Malaysia.