



SINCE 1993

SMART CITY SOLUTION

LED STREET LIGHTING CATALOGUE

www.oversealighting.com

CONTENTS

SMART CITY SOLUTION

COMPANY PROFILE	i
RESEARCH & DEVELOPMENT	ii-iv
OLE FLEXI MINI	01-04
OLE FLEXI ST	05-08
OLE DURA ST	09-13
OLE DURA ST PRO	14-17
OLE LED HYBRID	18-20
PROJECT REFERENCE	21-22



Founded in 1993 by Dato' SK Wong DIMP, Oversea Lighting & Electric (M) Sdn Bhd has proudly established itself as Malaysia's leading provider of comprehensive LED lighting and pole solutions. With over 33 years of industry excellence, we have earned a strong reputation for innovation, quality, and reliability across both local and international markets.

Our operations are based in a cutting-edge manufacturing facility covering 378,972 square feet, where our dedicated team of specialists, technicians, and R&D experts work tirelessly to advance lighting technology. Through continuous research and innovation, we refine our manufacturing processes and materials to deliver high-performance, customized solutions that meet the evolving needs of our clients.



We are proudly accredited by numerous esteemed organizations, including SME Corporation Malaysia, the Ministry of International Trade and Industry (MITI), the Ministry of Finance, the Intellectual Property Corporation of Malaysia, SIRIM QAS International, IKRAM QA Services, and the JKR Electrical Material Approved List (JKR EMAL). In addition, we are certified under the prestigious Malaysian Brand Certification Scheme and are proud members of the Branding Association of Malaysia.

In line with Malaysia's Industry4WRD initiative and the global shift towards Industry 4.0, we have adopted smart manufacturing technologies, including IoT-based Smart Lighting Systems. Our solutions are built on a secure cloud infrastructure, enabling seamless, real-time asset monitoring and management. Designed for user-friendly operation and cost-effectiveness, our IoT systems are engineered to provide reliable performance at competitive pricing.



To support long-term customer satisfaction, we offer a 5-year product warranty and 20-year spare part availability, ensuring peace of mind and continued service well into the future.

All our products are rigorously tested and certified by SIRIM, proudly labeled *Buatan Malaysia* (Made in Malaysia), and approved by the Malaysian Communications and Multimedia Commission (MCMC) — underscoring our status as a trusted pioneer in Malaysia's LED lighting industry.

Research & Development



Thermal Imaging



Spectral Irradiance Meter



LS126C UV Light Meter



Waterproof IPX5 IPX6 Test Device



Multi-Channel Temperature Tester



Flicker Illuminometer



Goniophotometer



Detector (Goniophotometer)



Install Driver & Wiring



Install LED



Install LED Glass



Automatic Screw Machine

Research & Development



SMT Reflow Oven



Solder Paste Dispensing Station



SMT Station



Integrating Sphere



Temperature Chamber



CNC Fiber Laser Cutting Machine



Life Tester



CS9950 Programmable Grounding Resistance Tester



Insulation Resistance Tester



Luminance Meter LS-110



Illuminance Meter T-10



LMK Camera Photometer

LMK Camera Photometer

LMK Mobile R Camera

LMK Camera Photometer (German Technology) delivers fast, high-precision candela and luminance measurements using advanced imaging.

Key Features

- One-shot full light distribution capture
- Faster testing, lower manpower
- Achieve accurate, consistent results
- Ideal for infrastructure and smart lighting projects

Applications

- Street & highway lighting evaluation
- Glare analysis (TI method)
- Tunnel & airport lighting measurement
- Industrial & indoor lighting assessment
- Smart lighting performance testing

LMK
mobile R



Software

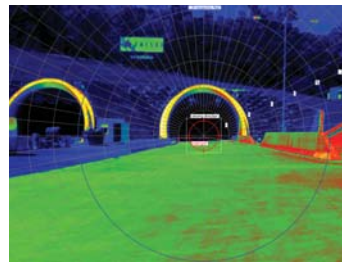
LMK LabSoft Measuring software



Evaluation of roadway lighting conforming to standards



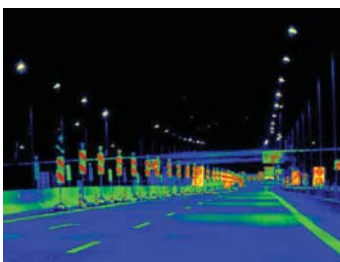
Determination of glare according to the TI method



Measurement of L20° luminance in the proximity zone of tunnel portals



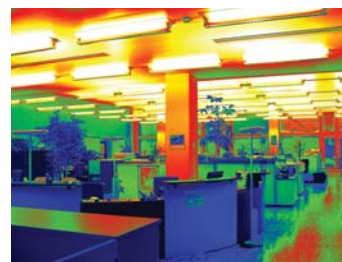
Luminance distribution and horizontal illuminance measurement on the aircraft parking area



Photometric evaluation of outdoor lighting systems



Determination of indoor glare



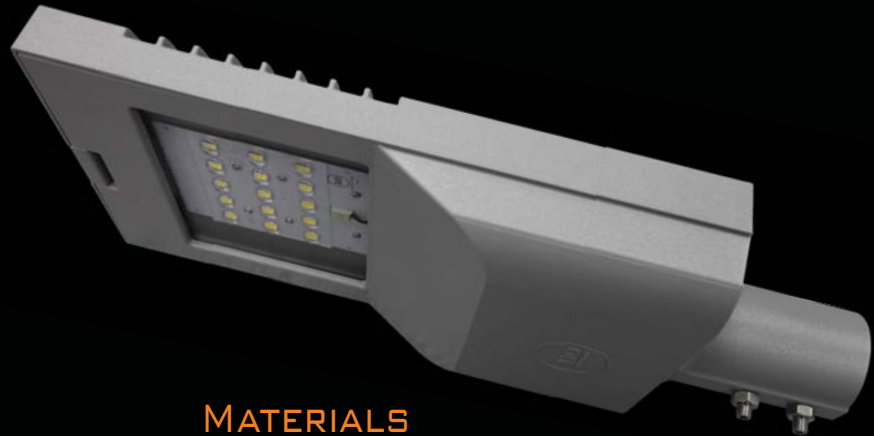
Interior workplace lighting



Evaluation of railway track lighting

OLE can provide 7-10 years warranty

OLE FLEXI MINI



FEATURES

- Input voltage: 220V~240V / Universal input
- Lumen Maintenance: L90 @ 100,000 hours
- Working Temperature: -25°C ~ 50°C
- Storage Temperature: -25°C ~ 80°C
- Power Factor: >0.95 at Full Load

MATERIALS

- Casing material: Die-Cast Aluminum
ADC12, Powder-Coated Finishing
- Cover: 5mm Tempered Glass
- Driver: Dimmable, Programmable
& DALI Compatible 1~10V (Optional)
- NEMA Socket: Support ZHAGA, NEMA, ZIGBEE,
PLC, LORA Smart Lighting System (Optional)

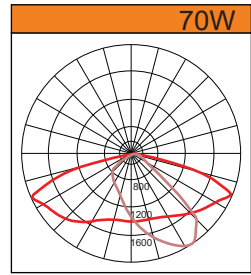
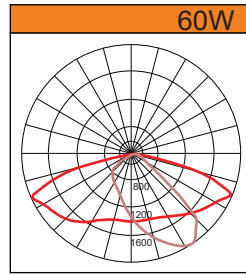
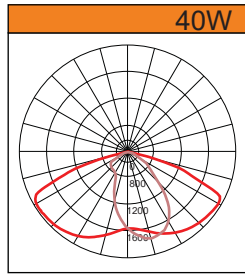
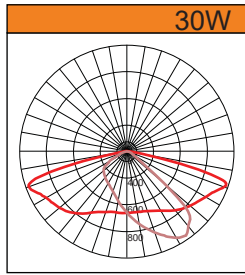


Specification

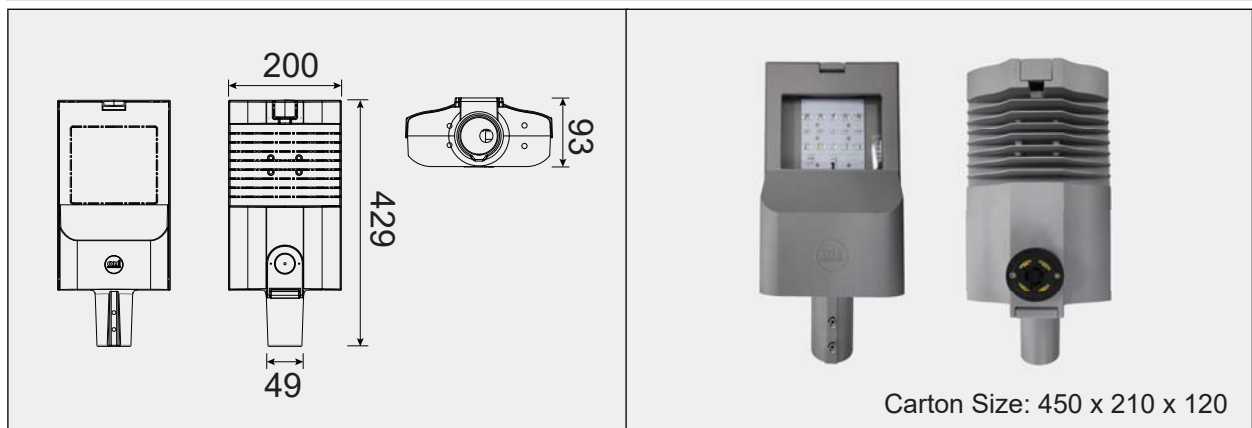
Model No.	Power	Input current	Weight	Lantern Size	CCT	Efficacy	Lumen
OLE Flexi Mini ST30	30W	0.13A	3.4kg	200 x 429mm	<3500K	160 lm/W	4800 lm
					4000K	165 lm/W	4950 lm
					5000K	165 lm/W	4650 lm
					6000K	166 lm/W	4980 lm
OLE Flexi Mini ST40	40W	0.17A	3.6kg	200 x 429mm	<3500K	165 lm/W	6600 lm
					4000K	166 lm/W	6640 lm
					5000K	166 lm/W	6640 lm
					6000K	167 lm/W	6680 lm
OLE Flexi Mini ST60	60W	0.23A	3.6kg	200 x 429mm	<3500K	155 lm/W	9300 lm
					4000K	156 lm/W	9360 lm
					5000K	156 lm/W	9360 lm
					6000K	157 lm/W	9420 lm
OLE Flexi Mini ST70	70W	0.30A	3.7kg	200 x 429mm	<3500K	150 lm/W	10500 lm
					4000K	150 lm/W	10500 lm
					5000K	150 lm/W	10500 lm
					6000K	151 lm/W	10570 lm

*Flux data based on $T_a = 35^\circ\text{C}$, CCT & Lumen + - 10%

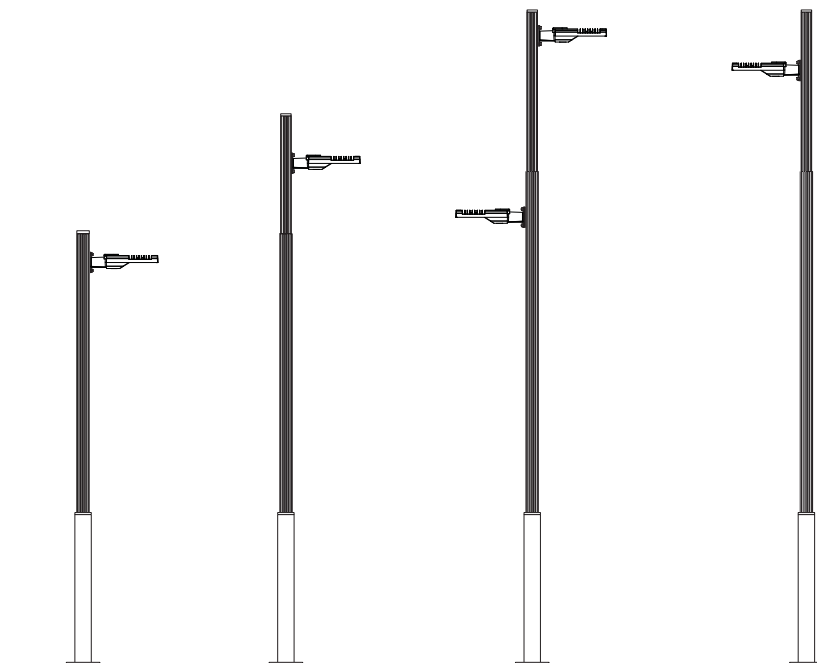
Photometric Data



OLE FLEXI MINI



**Suitable for 48mm spigot adaptor only*



Construction of OLE FLEXI MINI



LED Modules

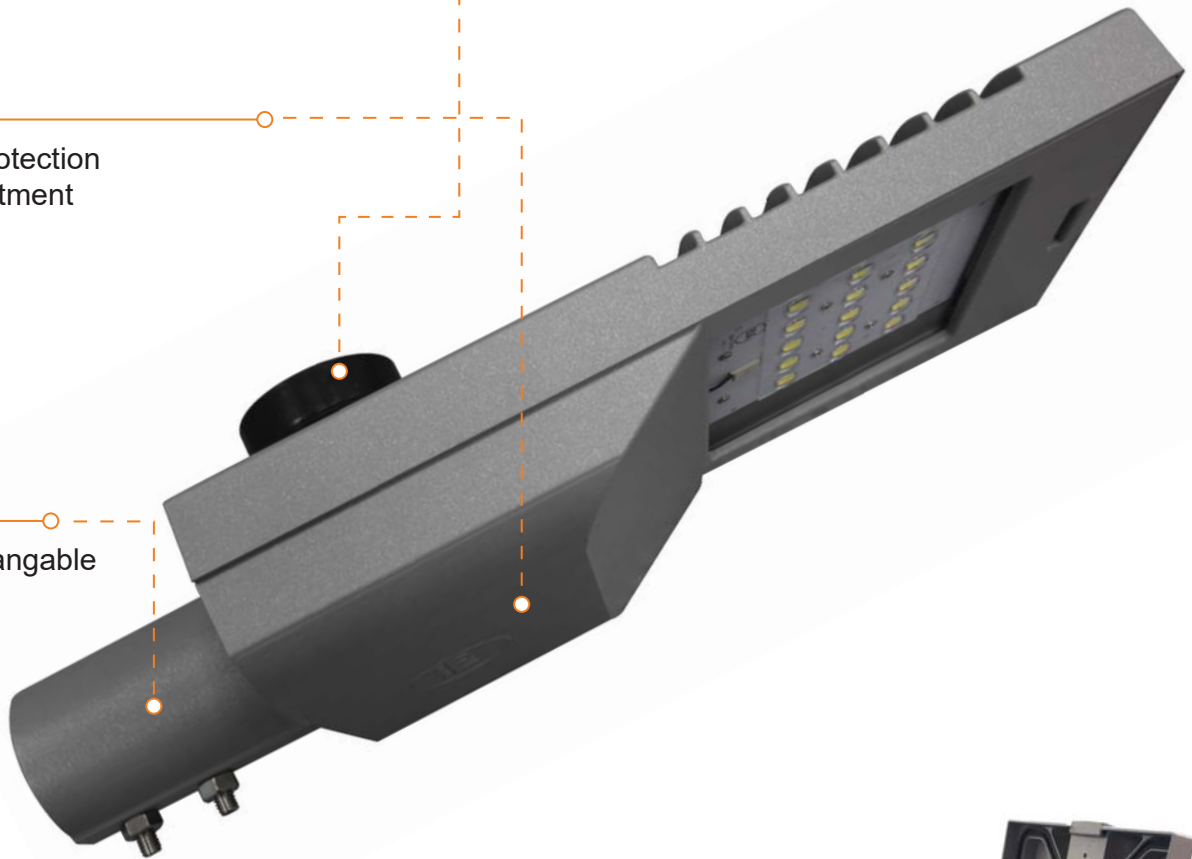


Spigot 42mm
(60mm optional)

4 ————○
Smart control for dimming
NEMA socket : Support NEMA,
ZIGBEE, LORA smart lighting
system (optional)

5 ————○
IP65 protection
compartment

6 ————○
Interchangable
spigot



NEMA Socket
(Optional)



Gear Compartment



OLE can provide 7-10 years warranty

OLE FLEXI ST



FEATURES

- Input voltage: 220V~240V / Universal input
- Lumen Maintenance: L90 @ 100,000 hours
- Working Temperature: -25°C ~ 50°C
- Storage Temperature: -25°C ~ 80°C
- Power Factor: >0.95 at Full Load

MATERIALS

- Casing material: Die-Cast Aluminum
ADC12, Powder-Coated Finishing
- Cover: 5mm Tempered Glass
- Driver: Dimmable, Programmable
& DALI Compatible 1~10V (Optional)
- NEMA Socket: Support ZHAGA, NEMA, ZIGBEE,
PLC, LORA Smart Lighting System (Optional)

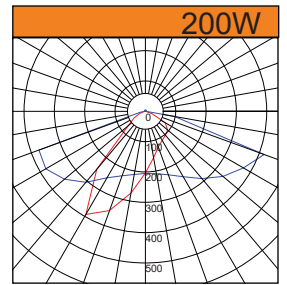
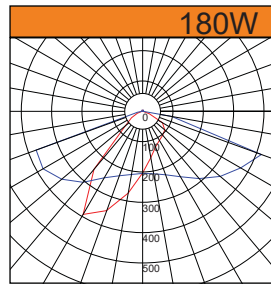
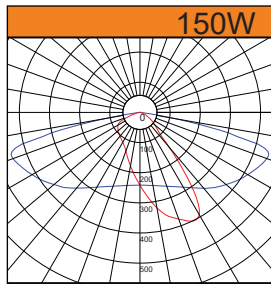
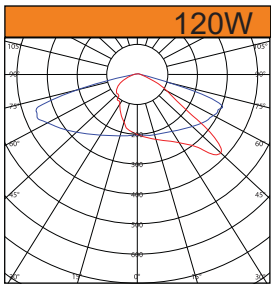
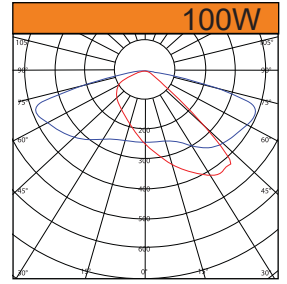
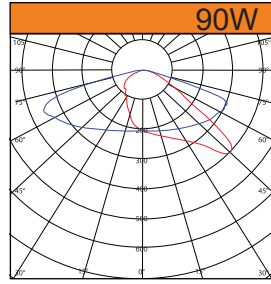
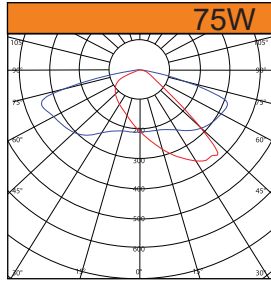
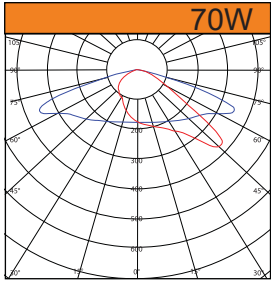


Specification

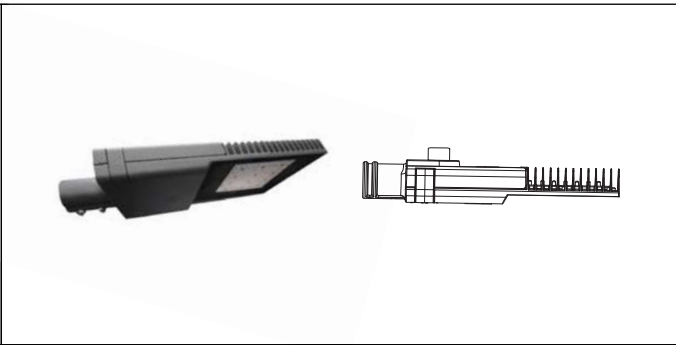
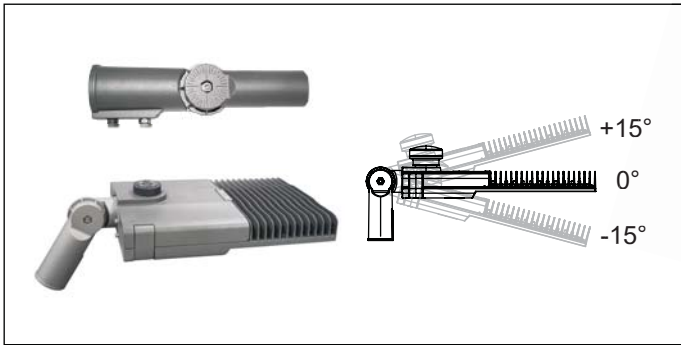
Model No.	Power	Input current	Weight	Lantern Size	CCT	Efficacy	Lumen
OLE Flexi ST70	70W	0.30A	7.0kg	320 x 562mm	<3500K	163 lm/W	11410 lm
					4000K	165 lm/W	11550 lm
					5000K	167 lm/W	11690 lm
					6000K	169 lm/W	11830 lm
OLE Flexi ST75	75W	0.32A	7.8kg	320 x 562mm	<3500K	163 lm/W	12225 lm
					4000K	165 lm/W	12375 lm
					5000K	167 lm/W	12525 lm
					6000K	169 lm/W	12675 lm
OLE Flexi ST90	90W	0.39A	7.8kg	320 x 562mm	<3500K	169 lm/W	15210 lm
					4000K	171 lm/W	15390 lm
					5000K	173 lm/W	15570 lm
					6000K	175 lm/W	15750 lm
OLE Flexi ST100	100W	0.43A	7.8kg	320 x 562mm	<3500K	167 lm/W	16700 lm
					4000K	169 lm/W	16900 lm
					5000K	171 lm/W	17100 lm
					6000K	173 lm/W	17300 lm
OLE Flexi ST120	120W	0.52A	8.0kg	320 x 562mm	<3500K	172 lm/W	20640 lm
					4000K	174 lm/W	20880 lm
					5000K	176 lm/W	21120 lm
					6000K	178 lm/W	21360 lm
OLE Flexi ST150	150W	0.65A	8.0kg	320 x 562mm	<3500K	169 lm/W	25350 lm
					4000K	171 lm/W	25650 lm
					5000K	173 lm/W	25950 lm
					6000K	175 lm/W	26250 lm
OLE Flexi ST180	180W	0.78A	8.0kg	320 x 562mm	<3500K	174 lm/W	31320 lm
					4000K	176 lm/W	31680 lm
					5000K	178 lm/W	32040 lm
					6000K	180 lm/W	32400 lm
OLE Flexi ST200	200W	0.87A	8.0kg	320 x 562mm	<3500K	163 lm/W	32600 lm
					4000K	165 lm/W	33000 lm
					5000K	167 lm/W	33400 lm
					6000K	169 lm/W	33800 lm

*Flux data based on Ta = 35°C, CCT & Lumen + - 10%

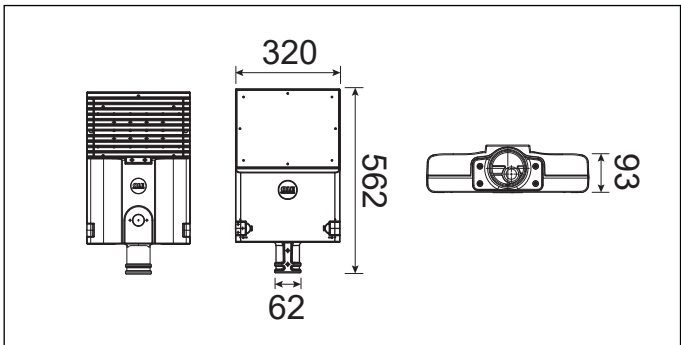
Photometric Data



Optional for Adjustable Spigot	Fixed Spigot
--------------------------------	--------------

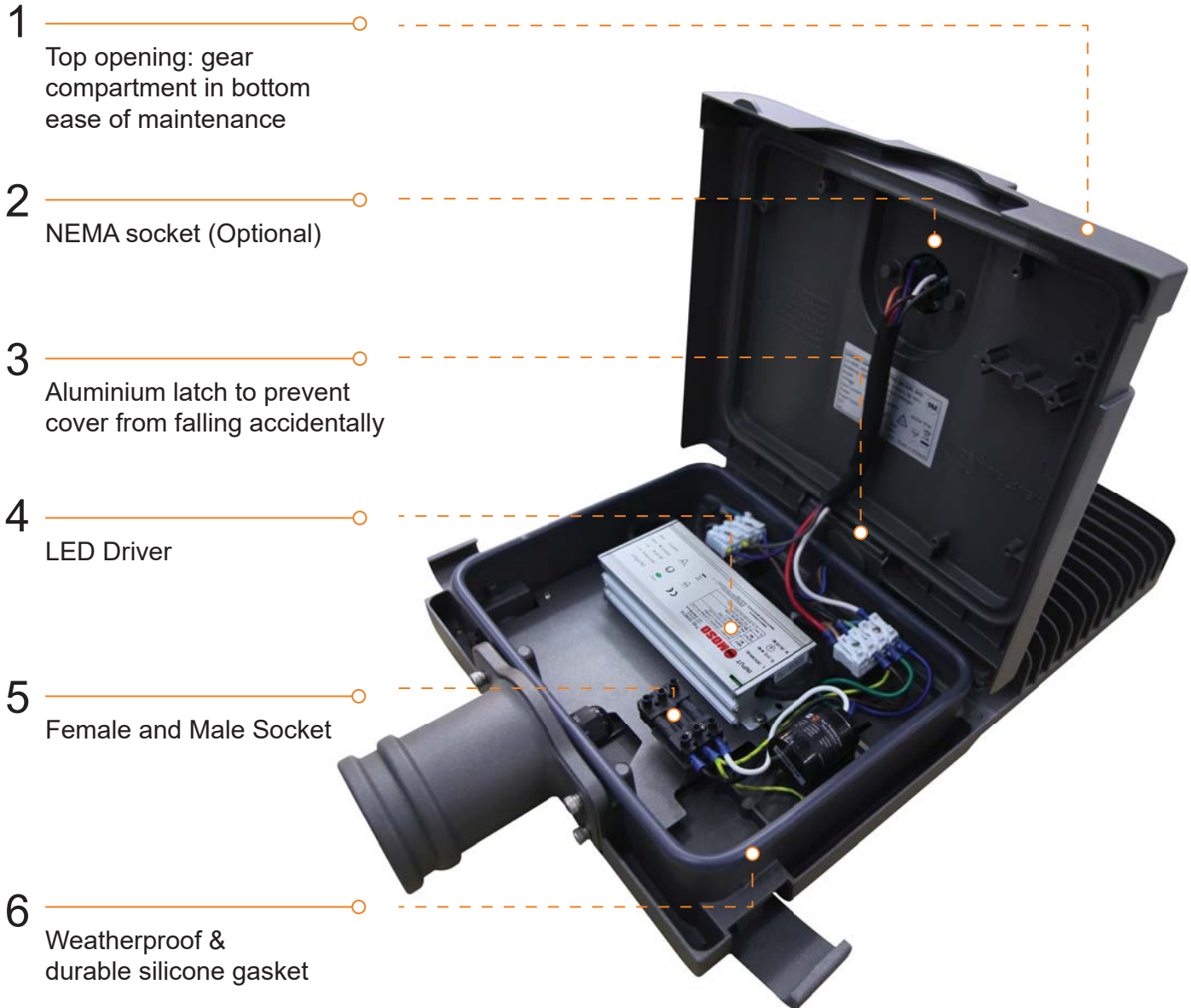


OLE Flexi ST



**Suitable for both 48mm & 60mm spigot adaptor*

Construction of OLE FLEXI ST



Cut - off connector
(Optional)



Clip lock to open and close
top opening cover



Safety switch cut off power
supply once cover opened
(optional)



NEMA Socket
(Optional)



LED Module

OLE can provide 7-10 years warranty

OLE DURA ST



FEATURES

- Input voltage: 220V~240V / Universal input
- Lumen Maintenance: L90 @ 100,000 hours
- Working Temperature: -25°C ~ 50°C
- Storage Temperature: -25°C ~ 80°C
- Power Factor: >0.95 at Full Load

MATERIALS

- Casing material: Die-Cast Aluminum
ADC12, Powder-Coated Finishing
- Cover: 5mm Tempered Glass
- Driver: Dimmable, Programmable
& DALI Compatible 1~10V (Optional)
- NEMA Socket: Support ZHAGA, NEMA, ZIGBEE,
PLC, LORA Smart Lighting System (Optional)



Specification

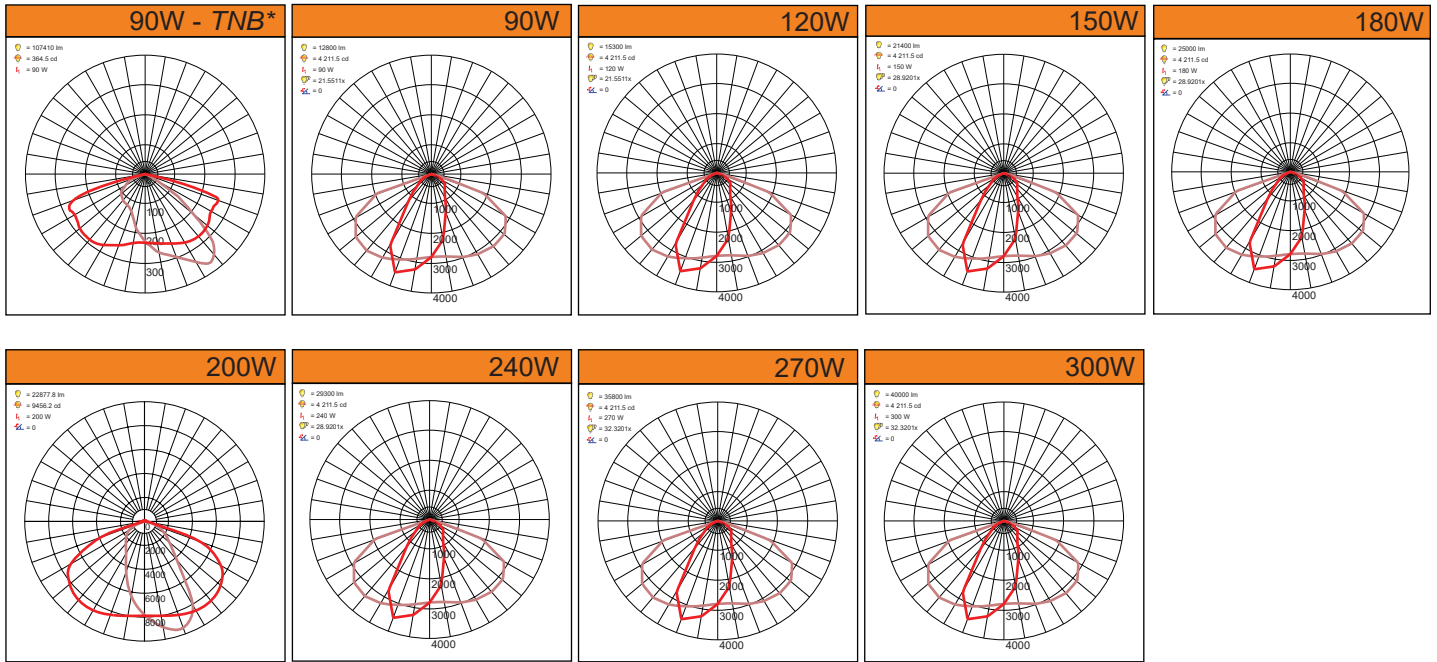
Model No.	Power	Input current	Weight	Lantern Size	CCT	Efficacy	Lumen
OLE Dura ST90	90W	0.39A	10kg	400 x 565mm	<3500K	170 lm/W	15300 lm
					4000K	171 lm/W	15390 lm
					5000K	171 lm/W	15390 lm
					6000K	172 lm/W	15480 lm
OLE Dura ST100	100W	0.39A	8.3kg	400 x 401mm	<3500K	165 lm/W	16500 lm
					4000K	166 lm/W	16600 lm
					5000K	166 lm/W	16600 lm
					6000K	167 lm/W	16700 lm
OLE Dura ST120	120W	0.52A	10kg	400 x 565mm	<3500K	160 lm/W	19200 lm
					4000K	161 lm/W	19320 lm
					5000K	161 lm/W	19320 lm
					6000K	162 lm/W	19440 lm
OLE Dura ST150	150W	0.65A	13kg	400 x 725mm	<3500K	153 lm/W	22950 lm
					4000K	154 lm/W	23100 lm
					5000K	154 lm/W	23100 lm
					6000K	155 lm/W	23250 lm
OLE Dura ST180	180W	0.78A	13kg	400 x 725mm	<3500K	170 lm/W	30600 lm
					4000K	171 lm/W	30780 lm
					5000K	171 lm/W	30780 lm
					6000K	172 lm/W	30960 lm
OLE Dura ST200	200W	0.87A	13kg	400 x 725mm	<3500K	165 lm/W	33000 lm
					4000K	166 lm/W	33200 lm
					5000K	166 lm/W	33200 lm
					6000K	167 lm/W	33400 lm
OLE Dura ST240	240W	1.04A	13.4kg	400 x 725mm	<3500K	160 lm/W	38400 lm
					4000K	161 lm/W	38640 lm
					5000K	161 lm/W	38640 lm
					6000K	162 lm/W	38880 lm
OLE Dura ST270	270W	1.17A	16.8kg	400 x 883mm	<3500K	158 lm/W	42660 lm
					4000K	159 lm/W	42930 lm
					5000K	159 lm/W	42930 lm
					6000K	160 lm/W	43200 lm
OLE Dura ST300	300W	1.30A	16.8kg	400 x 883mm	<3500K	153 lm/W	45900 lm
					4000K	154 lm/W	46200 lm
					5000K	154 lm/W	46200 lm
					6000K	155 lm/W	46500 lm

*Flux data based on $T_a = 35^\circ\text{C}$, CCT & Lumen + - 10%

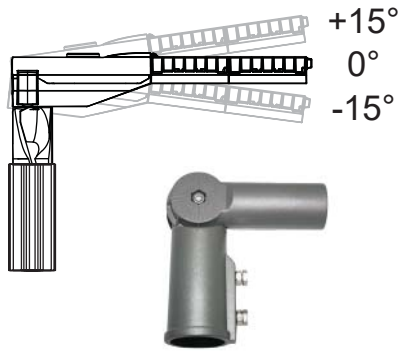
Certified

- Certified by DEKRA, SIRIM & JKR EMAL.
- CB & CE-LVD certified.
- Compliances : Safety IEC 60598-1, IEC 60598-2-3, IEC 62471, IEC 62778.
- EMC : EN 55015, EN 61547, EN 61000-3-2, EN 61000-3-3.
- Australia SAA approval, RCM mark, IEC 62722, RoHS.

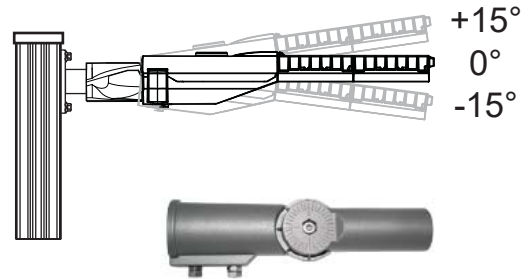
Photometric Data



Type of installation on pole mounting - adjustable spigot

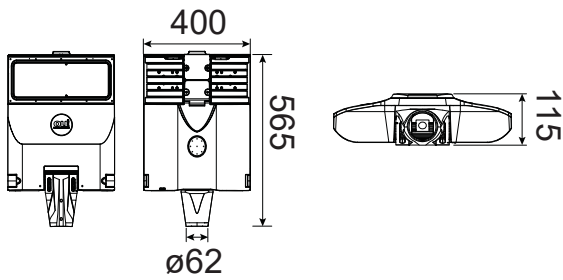


Post-Top Position



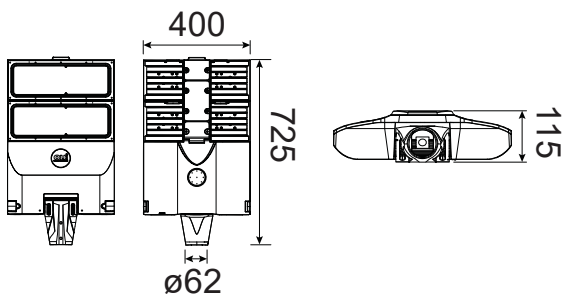
Side-Entry Position

OLE Dura ST90 | OLE Dura ST120



Carton Size: 590 x 428 x 151

**OLE Dura ST150 | OLE Dura ST180 | OLE Dura ST200
OLE Dura ST240 | OLE Dura ST270 | OLE Dura ST300**



Carton Size: 753 x 428 x 151

**Suitable for both 48mm & 60mm spigot adaptor*

Construction of OLE DURA ST

1 ————○
 Top opening: gear
 compartment in bottom
 ease of maintenance

2 ————○
 Stainless steel hinge to prevent
 cover from falling accidentally

3 ————○
 IP66 protection
 compartment

4 ————○
 Weatherproof &
 durable silicone gasket



Cut - off connector
 (Optional)



NEMA Socket
 (Optional)



LED Module



Clip lock to open and close top opening cover



Safety switch cut off power supply once cover opened (Optional)



Clip lock gear tray for toolless maintenance

OLE can provide 7-10 years warranty

OLE DURA ST PRO



FEATURES

- Input voltage: 220V~240V / Universal input
- Lumen Maintenance: L90 @ 100,000 hours
- Working Temperature: -25°C ~ 50°C
- Storage Temperature: -25°C ~ 80°C
- Power Factor: >0.95 at Full Load

MATERIALS

- Casing material: Die-Cast Aluminum ADC12, Powder-Coated Finishing
- Cover: 5mm Tempered Glass
- Driver: Dimmable, Programmable & DALI Compatible 1~10V (Optional)
- NEMA Socket: Support ZHAGA, NEMA, ZIGBEE, PLC, LORA Smart Lighting System (Optional)

IP
66IK
09CRI
>70-80THD
5-10%5
years
warranty

SIRIM

CE

JKR
EMALBuatan
Malaysia

Specification

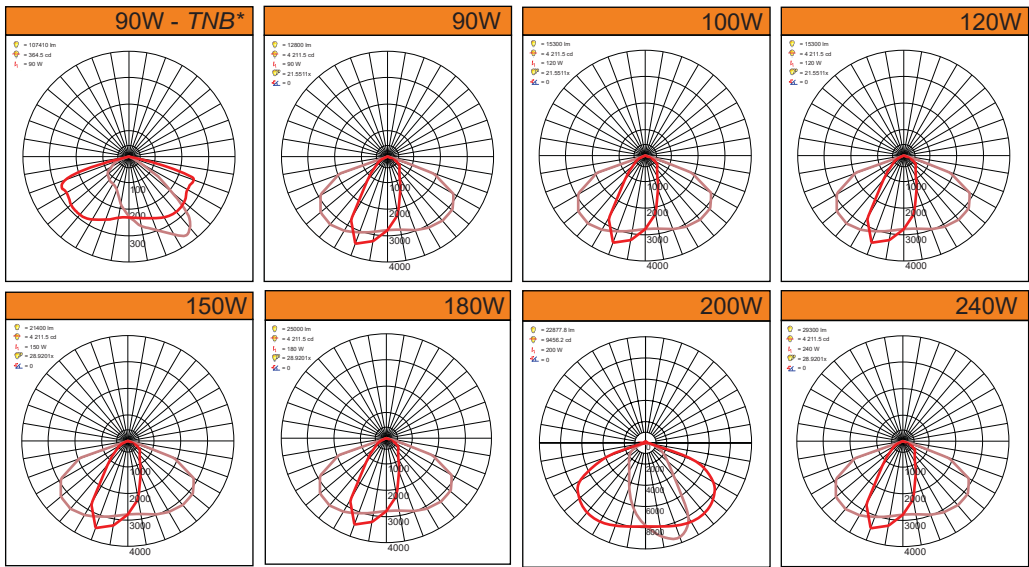
Model No.	Power	Input current	Weight	Lantern Size	CCT	Efficacy	Lumen
OLE Dura ST PRO90	90W	0.39A	10kg	400 x 565mm	<3500K	170 lm/W	15300 lm
					4000K	171 lm/W	15390 lm
					5000K	171 lm/W	15390 lm
					6000K	172 lm/W	15480 lm
OLE Dura ST PRO100	100W	0.39A	8.3kg	400 x 401mm	<3500K	165 lm/W	16500 lm
					4000K	166 lm/W	16600 lm
					5000K	166 lm/W	16600 lm
					6000K	167 lm/W	16700 lm
OLE Dura ST PRO120	120W	0.52A	10kg	400 x 565mm	<3500K	160 lm/W	19200 lm
					4000K	161 lm/W	19320 lm
					5000K	161 lm/W	19320 lm
					6000K	162 lm/W	19440 lm
OLE Dura ST PRO150	150W	0.65A	13kg	400 x 725mm	<3500K	153 lm/W	22950 lm
					4000K	154 lm/W	23100 lm
					5000K	154 lm/W	23100 lm
					6000K	155 lm/W	23250 lm
OLE Dura ST PRO180	180W	0.78A	13kg	400 x 725mm	<3500K	170 lm/W	30600 lm
					4000K	171 lm/W	30780 lm
					5000K	171 lm/W	30780 lm
					6000K	172 lm/W	30960 lm
OLE Dura ST PRO200	200W	0.87A	13kg	400 x 725mm	<3500K	165 lm/W	33000 lm
					4000K	166 lm/W	33200 lm
					5000K	166 lm/W	33200 lm
					6000K	167 lm/W	33400 lm
OLE Dura ST PRO240	240W	1.04A	13.4kg	400 x 725mm	<3500K	160 lm/W	38400 lm
					4000K	161 lm/W	38640 lm
					5000K	161 lm/W	38640 lm
					6000K	162 lm/W	38880 lm
OLE Dura ST PRO270	270W	1.17A	16.8kg	400 x 883mm	<3500K	158 lm/W	42660 lm
					4000K	159 lm/W	42930 lm
					5000K	159 lm/W	42930 lm
					6000K	160 lm/W	43200 lm
OLE Dura ST PRO300	300W	1.30A	16.8kg	400 x 883mm	<3500K	153 lm/W	45900 lm
					4000K	154 lm/W	46200 lm
					5000K	154 lm/W	46200 lm
					6000K	155 lm/W	46500 lm

*Flux data based on Ta = 35°C, CCT & Lumen + - 10%

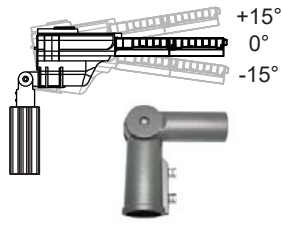
Certified

- Certified by DEKRA & SIRIM.
- CB & CE-LVD certified.
- Compliances : Safety IEC 60598-1, IEC 60598-2-3, IEC 62471, IEC 62778.
- EMC : EN 55015, EN 61547, EN 61000-3-2, EN 61000-3-3.
- UL1598 standard.

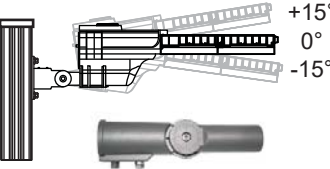
Photometric Data



Type of installation on pole mounting (adjustable spigot)



Post-Top Position



Side-Entry Position

Dimension

OLE Dura ST PRO90 | OLE Dura ST PRO120

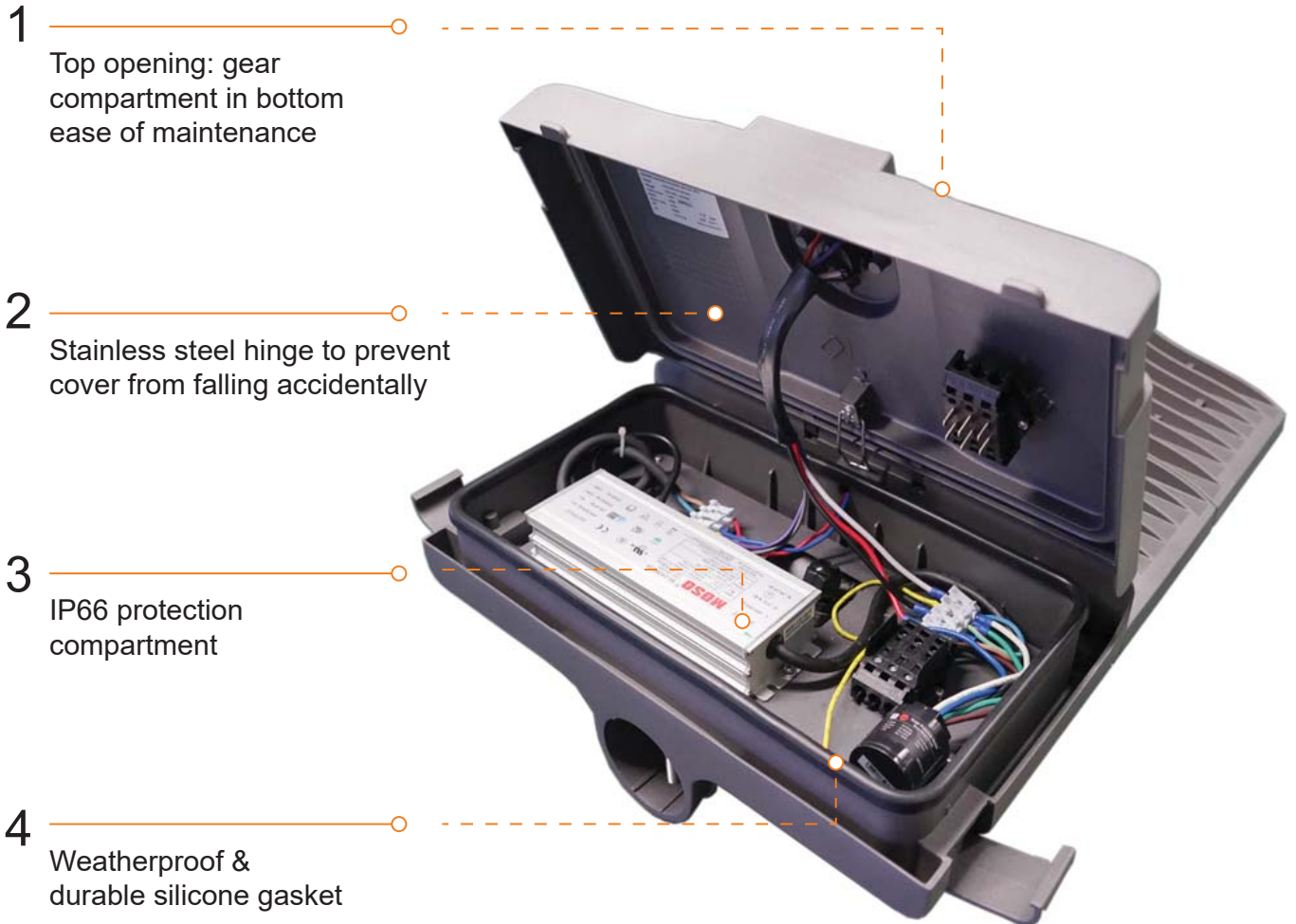
Carton Size: 498 x 448 x 236

OLE Dura ST PRO150 | OLE Dura ST PRO180 | OLE Dura ST PRO200 OLE Dura ST PRO240 | OLE Dura ST PRO270 | OLE Dura ST PRO300

Carton Size: 542 x 482 x 245

*Suitable for both 48mm & 60mm spigot adaptor

Construction of OLE DURA ST PRO



Cut - off connector
(Optional)



NEMA Socket
(Optional)

Construction of OLE DURA ST PRO



Clip lock to open and close top opening cover



LED Module

OLE can provide 7-10 years warranty

OLE LED HYBRID



FEATURES

- Input voltage: 220V~240V / Universal input
- Lumen Maintenance: L90 @ 100,000 hours
- Working Temperature: -25°C ~ 50°C
- Storage Temperature: -25°C ~ 80°C
- Power Factor: >0.95 at Full Load

MATERIALS

- Casing material: Die-Cast Aluminum ADC12, Powder-Coated Finishing
- Cover: 5mm Tempered Glass
- Driver: Dimmable, Programmable & DALI Compatible 1~10V (Optional)
- NEMA Socket: Support ZHAGA, NEMA, ZIGBEE, PLC, LORA Smart Lighting System (Optional)

**IP
66**

**IK
09**

**CRI
>70-80**

**5
years
warranty**

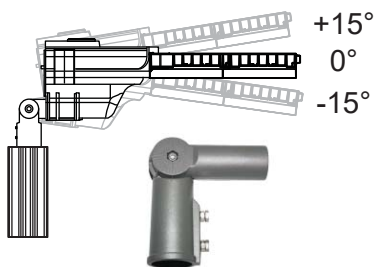
**Buatan
Malaysia**

Specification

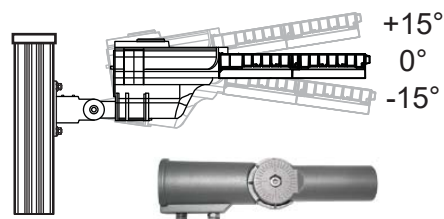
Model No.	Normal Mode			Emergency Mode / Battery						Weight	CCT
	Power	Lumen	Efficacy	Power	Lumen	Efficacy	Battery		Dimming		
							1 Day Autonomy	2 Days Autonomy			
LED Hybrid 120W/90W	120W	19200 lm	160 lm/W	90W	15300 lm	160 lm/W	12V 80AH	24V 80AH	6hrs 100% 2hrs 60% 4hrs 40%	13kg	<3500K 4000K 5000K 6000K
		19320 lm	161 lm/W		15390 lm	161 lm/W					
		19320 lm	161 lm/W		15390 lm	161 lm/W					
		19440 lm	162 lm/W		15480 lm	162 lm/W					
LED Hybrid 180W/120W	180W	30600 lm	170 lm/W	120W	19200 lm	170 lm/W	12V 100AH	24V 100AH	6hrs 100% 2hrs 60% 4hrs 40%	16.8kg	<3500K 4000K 5000K 6000K
		30780 lm	171 lm/W		19320 lm	171 lm/W					
		30780 lm	171 lm/W		19320 lm	171 lm/W					
		30960 lm	172 lm/W		19440 lm	172 lm/W					

Type of installation on pole mounting

Support adjustable spigot adaptor, optional for angle adjustment, applicable both Post-Top and Side-Entry mounting



Post-Top Position



Side-Entry Position

Construction of OLE LED Hybrid

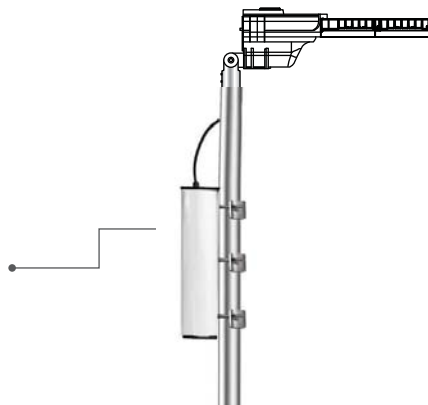


Specification

Model No.	Battery Capacity	Battery Enclose	Total Weight
LED Hybrid 120W/90W	25.6V 60AH	1000mm (L) x 200mm (W) x 113mm (D)	16kg
LED Hybrid 180W/120W	25.6V 90AH	1200mm (L) x 200mm (W) x 113mm (D)	20kg



LiFePO4 Battery

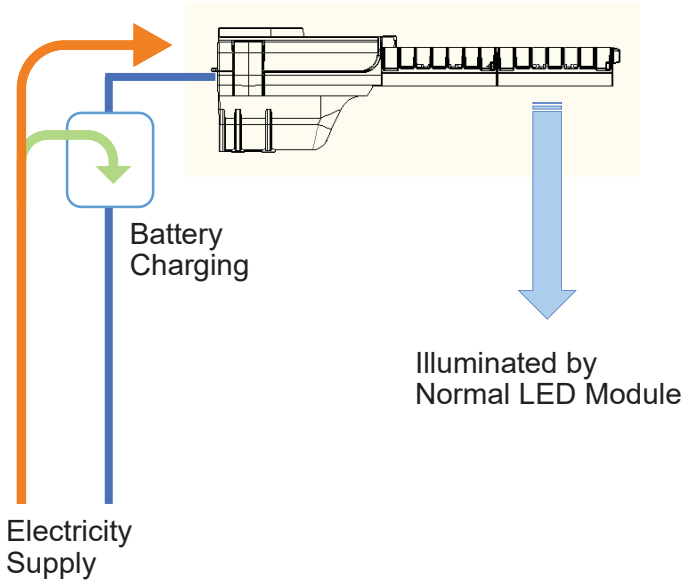


Battery box mounting on pole

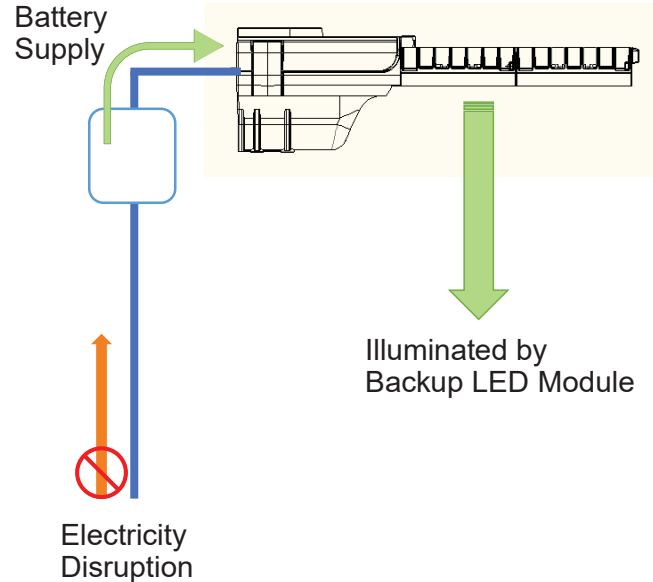
Mode of Operation



Normal Mode



Emergency Mode
(Backup Module Illuminate, while electricity disruption occur)



Dimension

OLE LED HYBRID 120W / 90W

	<p>Carton Size: 542 x 482 x 245</p>
--	-------------------------------------

OLE LED HYBRID 180W / 120W

	<p>Carton Size: 692 x 482 x 245</p>
--	-------------------------------------

*Suitable for both 48mm & 60mm spigot adaptor

Street Lighting Project

OLE Dura ST at Lenin Avenue, Vinh City, Vietnam



OLE Dura ST for Tenaga National Berhad (TNB) Project, Malaysia



OLE Dura ST at Pan Borneo Highway, Sabah, Malaysia



OLE Dura ST at Putrajaya, Malaysia



OLE Dura ST at DUKE 3 Highway, Kuala Lumpur, Malaysia



Street Lighting Project

OLE Dura ST at Gelang Patah, Johor, Malaysia



OLE Dura ST PRO at Plaza Toll Bukit Besi, LPT2



OLE Flexi ST at Presint 4, Putrajaya, Malaysia



OLE Flexi ST at Sarikei Sarawak



OLE Flexi ST at Presint 4, Putrajaya, Malaysia



OVERSEA LIGHTING & ELECTRIC (M) SDN. BHD. (272782-K)

LED FACTORY

Lot 6595, Jalan KPB12B, Kawasan Industri Kampung Baru Balakong,
43300 Seri Kembangan, Selangor Darul Ehsan, Malaysia.

Tel: (603) 8964 1878, 8964 1888, 8964 1899

Fax: (603) 8964 1868

Email: info@oversealighting.com, sales@oversealighting.com

Website: www.oversealighting.com

POLE FACTORY

PT 3481 (Lot 996), Jalan Sungai Lalang Batu 22 1/2,
43500 Semenyih, Selangor Darul Ehsan, Malaysia.

Tel: (603) 9549 3440, (60) 12 837 7850

Email: general.odi@outlook.com



©Oversea Lighting & Electric (M) Sdn Bhd. All rights reserved.
Oversea Lighting & Electric (M) Sdn Bhd reserves the right to make changes in
specifications and/or to discontinue any product at anytime without notice
or obligation and will not be liable for any consequences
resulting from the use of this publication.