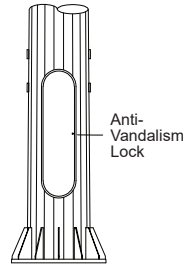
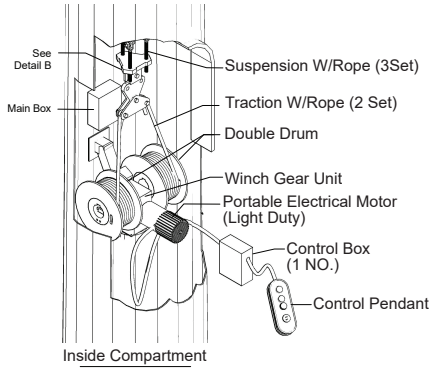
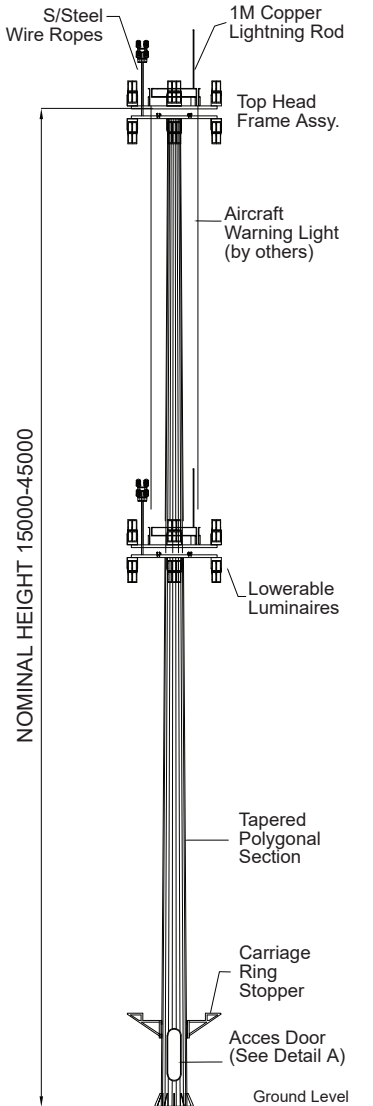
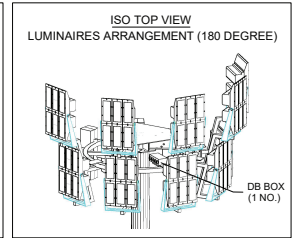
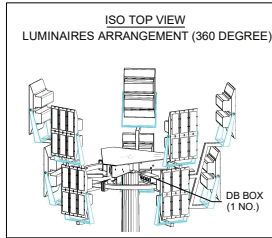


## Application

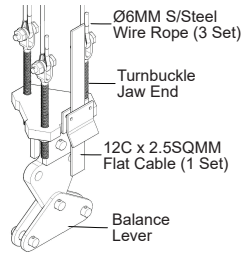
Highway, Car Park area and etc



Detail -A  
Access Door



Anchor Bolt  
Grade 6.6



Detail-B  
Balance Lever Unit

