



Since 1993

OLE CHAMPION


Highmast | Sports | Arena & Stadium Lighting



www.oversealighting.com

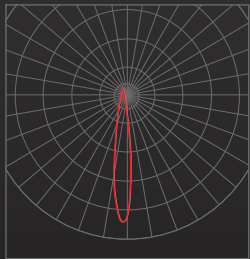
OLE CHAMPION

Highmast | Sports | Arena & Stadium Lighting

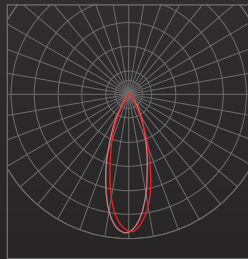
IP66 IP Protection	IK09 IK Rating	>70 CRI	3000-6500K CCT	220V~240V Input Voltage	 SIRIM Made in Malaysia	SIRIM Certified
------------------------------	--------------------------	----------------------	--------------------------	-----------------------------------	--	---------------------------

Various Light Optics

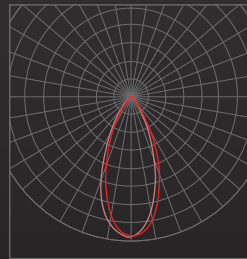
Champion is a professional high power sports lighting fixture with a variety of beam optics.



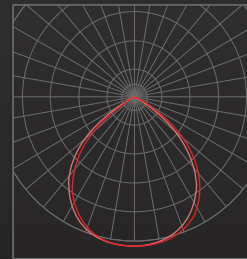
15°



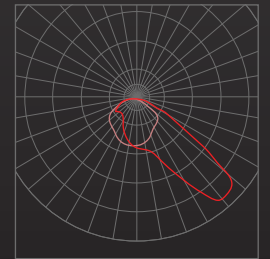
30°



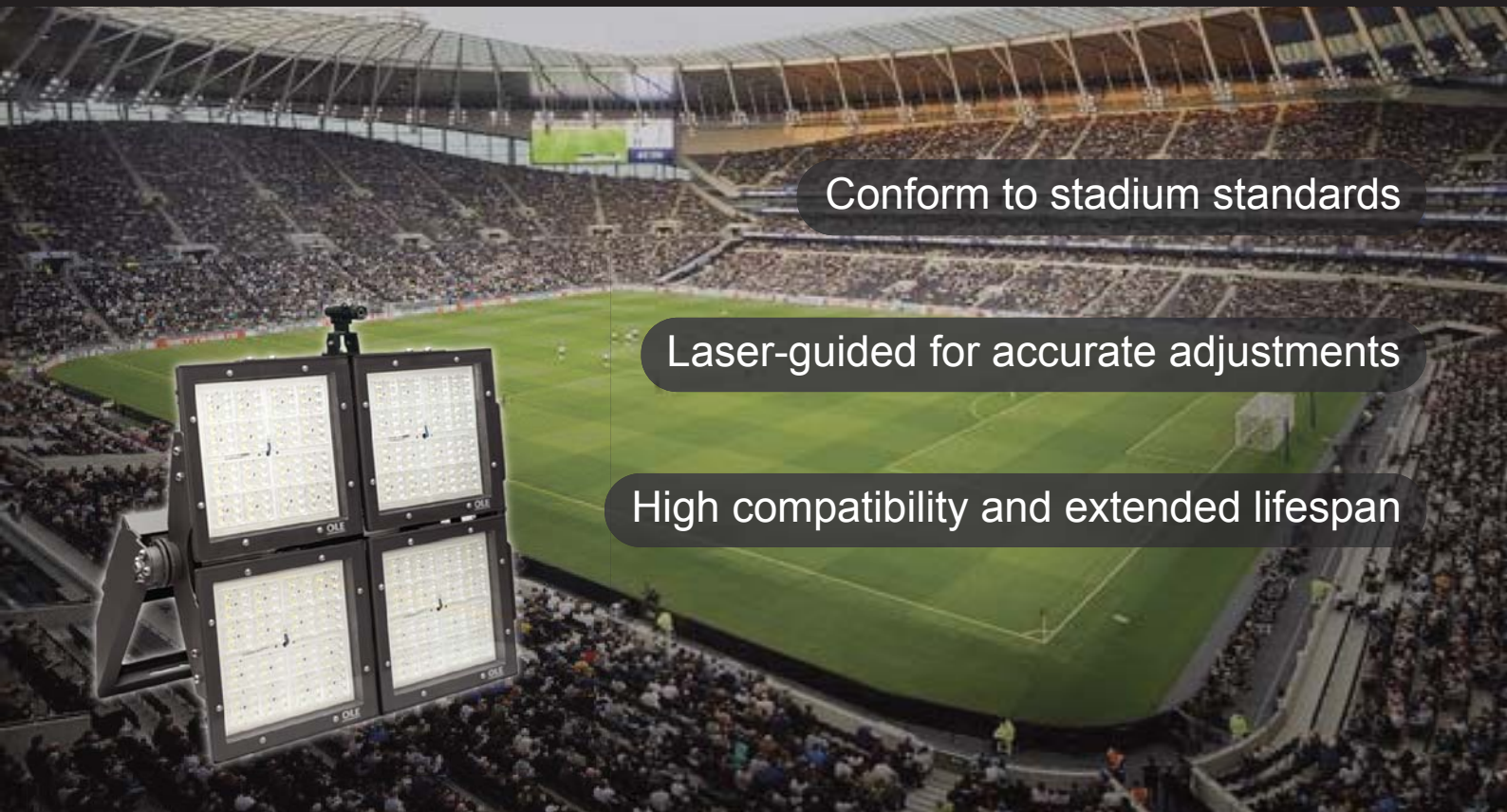
60°



90°



T2



Conform to stadium standards

Laser-guided for accurate adjustments

High compatibility and extended lifespan

New Design Unique Features



Aiming Device

Deliver high-quality stadium lighting debugging, accurately project lighting points, achieve professional level lighting effects.



LED Module

High Performance LED with High Efficiency Lens



High Luminosity

Designed to emit a large amount of light, ensuring excellent visibility across the entire sports field or stadium.



Excellent Heatsink

High thermal conductivity enhances heat dissipation efficiency and prolong LED life span



Flexible & Adjustable

Support 270° flexible angle adjustment for a single lamp, and the combination group of lamp caps can also be adjusted by 270° on the bracket.



Gear Compartment

IP67 driver with IP68 connector



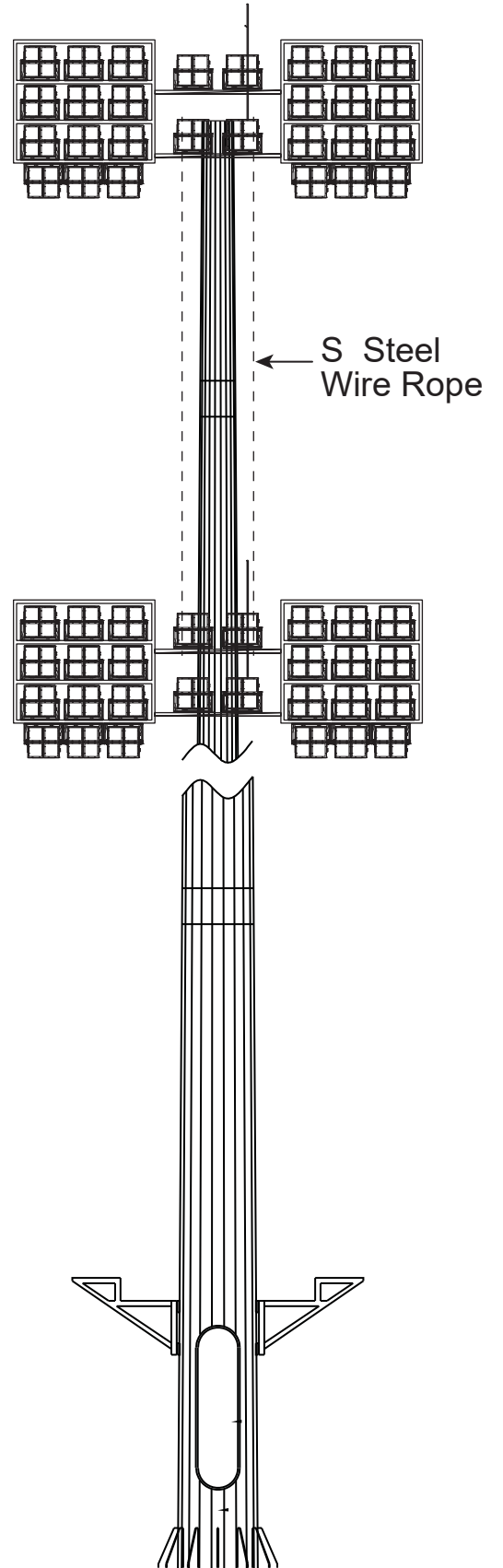
Features

LED Lumen Maintenance : L90 @ 70,000 hours
Working Temperature : -25°C ~ 50°C
Storage Temperature : -25°C ~ 80°C
CRI : ≥70 (Optional ≥80, ≥90)
Power Factor : >0.95 at Full Load
THD : <20% at Full Load
IP Protection : IP66 Optical Compartment

Material

Casing : Pressure Casted Aluminium ADC12, Powder-Coated Finishing
Cover : 5mm Tempered Glass
Bracket : Mild Steel / Stainless Steel (Optional)
Dimming : (Optional) 0-10V / DALI / Timer

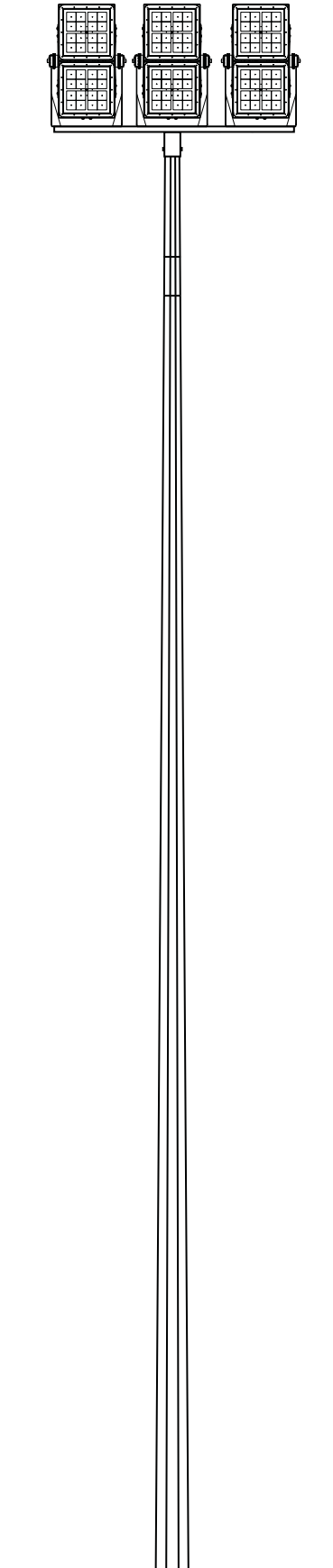
30M-45M Stadium Mast Pole



6M-15M Floodlight Pole



6000 - 10000 Nominal Height

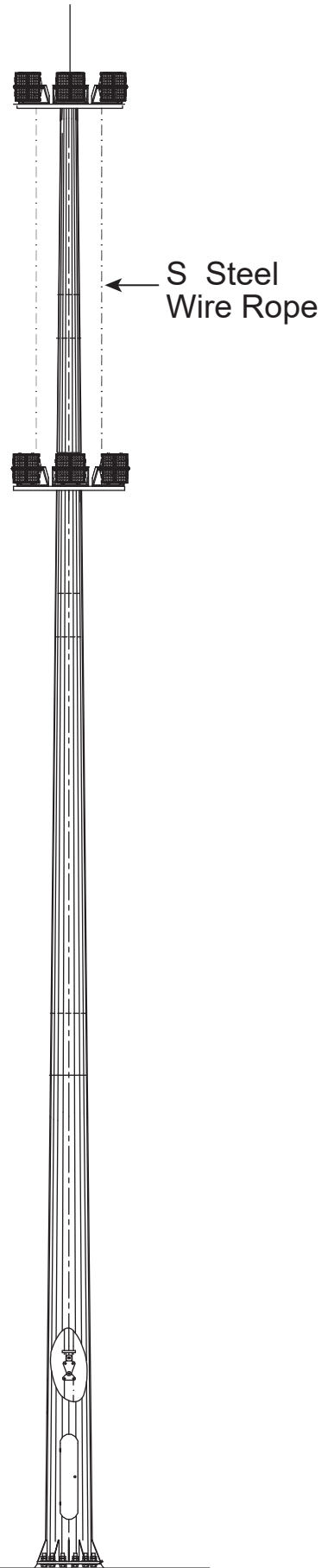


Highmast Lighting

20M-40M Highmast



30000 - 40000 Nominal Height



Specifications

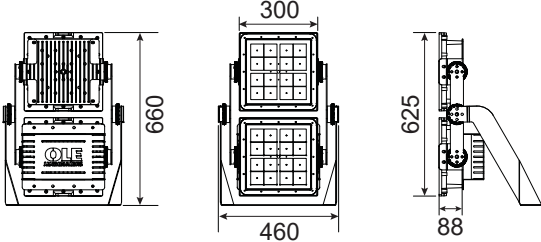
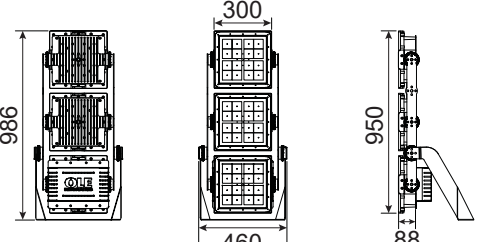
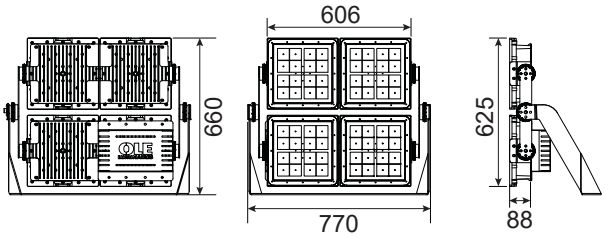
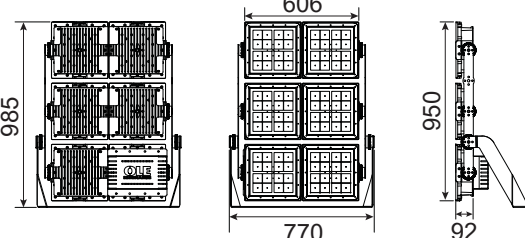
Model No.	Power	Input current	Weight	CCT	Efficacy	Lumen
OLE C400	400W	1.73A	Fitting:10kg / Driver:2kg	3000K 4000K 5700K 6500K	130 lm/W 136 lm/W 133 lm/W 132 lm/W	39000 lm 40800 lm 39900 lm 39600 lm
OLE C800 OLE C800-AD	800W	3.48A	Fitting:17kg / Driver:5kg Fitting:18kg / Driver:5kg	3000K 4000K 5700K 6500K	130 lm/W 136 lm/W 133 lm/W 132 lm/W	78000 lm 81600 lm 79800 lm 79200 lm
OLE C1200 OLE C1200-AD	1200W	5.00A	Fitting:23kg / Driver:5kg Fitting:27kg / Driver:5kg	3000K 4000K 5700K 6500K	130 lm/W 136 lm/W 133 lm/W 132 lm/W	117000 lm 122400 lm 119700 lm 118800 lm
OLE C1500 OLE C1500-AD	1500W	6.51A	Fitting:31kg / Driver:9kg Fitting:35kg / Driver:9kg	3000K 4000K 5700K 6500K	130 lm/W 136 lm/W 133 lm/W 132 lm/W	195000 lm 204000 lm 199500 lm 198000 lm
OLE C1800 OLE C1800-AD	1800W	7.83A	Fitting:42kg / Driver:11kg Fitting:48kg / Driver:11kg	3000K 4000K 5700K 6500K	130 lm/W 136 lm/W 133 lm/W 132 lm/W	234000 lm 244800 lm 239400 lm 227600 lm

* Flux data based on Ta = 25°C, CCT & Lumen +/-10%

Dimensions - Standard Module

<p style="text-align: center;">OLE C400</p> <p>Carton Size: (L)600x(W)460x(H)180</p>	<p style="text-align: center;">OLE C800</p> <p>Carton Size: (L)790x(W)600x(H)180</p>
<p style="text-align: center;">OLE C1200</p> <p>Carton Size: (L)1100x(W)600x(H)180</p>	<p style="text-align: center;">OLE C1500</p> <p>Carton Size: (L)910x(W)810x(H)180</p>
<p style="text-align: center;">OLE C1800</p> <p>Carton Size: (L)910x(W)1290x(H)180</p>	

Dimensions - Adjustable Module

OLE C800-AD	OLE C1200-AD
<p>Carton Size: (L)790x(W)700x(H)180</p> 	<p>Carton Size: (L)1100x(W)700x(H)180</p> 
OLE C1500-AD	OLE C1800-AD
<p>Carton Size: (L)1000x(W)810x(H)180</p> 	<p>Carton Size: (L)1000x(W)1290x(H)180</p> 

Advantages

- **Robust Illumination:** Champion provide powerful and uniform lighting, ensuring excellent visibility across the entire sports area.
- **Precise Beam Control:** Advanced optics with 15°, 30°, 60°, 90°, T2 lens allow for precise focusing and direction of light to eliminate glare with the option to add or combine a louver, full glare shield or half glare shield to achieve optimal coverage.
- **Adjustable Intensity:** Allow for adjustable light output with 270° on single lamp and also adjustment on bracket, available customization for different sports and events.
- **Remote Control:** Compatible with DALI, 0-10V, Timer and other control systems to achieve the control requirements of functional lighting, entertainment lighting or auxiliary lighting.
- **Energy Efficiency:** Utilizing advanced performance LED to deliver high brightness while minimizing energy consumption.
- **Weather Resistance:** Designed to withstand outdoor conditions, it is built to perform reliably in various weather scenarios.

Application

Widely used to provide light to large area such as large warehouse, shipyards, car parks etc. Used at indoor & outdoor sports such as football fields, swimming pools, tennis courts etc, and also used for stadium lighting.

Product Display

Optional to add Louver



OLE C400



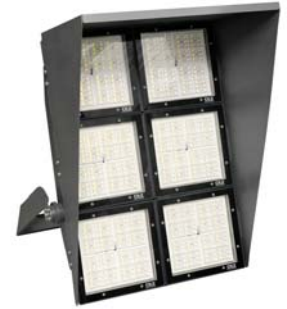
OLE C800



OLE C1200



OLE C1500



OLE C1800

Optional for Adjustable Angle



OLE C800-AD



OLE C1200-AD



OLE C1500-AD



OLE C1800-AD



Certificates



SIRIM QAS International Sdn. Bhd.
(Company No.: 199601037981 (410334-X))
No.1, Persiaran Dato' Menteri, P.O.BOX 7035, Section 2,
40700 Shah Alam, Selangor Darul Ehsan, Malaysia
Tel: 03-55446168
Fax: 03-55446796
www.sirim-qas.com.my



TEST REPORT

REPORT NO : 2023EB0467	PAGE : 1 OF 69
This Test Report refers only to samples submitted by the applicant to SIRIM QAS International Sdn. Bhd. and tested by SIRIM QAS International Sdn. Bhd. This Test Report shall not be reproduced, except in full and shall not be used for any purpose by any means or forms (including but not limited to advertising purposes) without written approval from the Head of Quality, Occupational Safety and Health & Environment (QOSHE), SIRIM QAS International Sdn. Bhd. Please refer to the last page of this Test Report for Conditions Relating to the Use of Test Report.	

THIS TEST REPORT IS ISSUED IN SECURED PDF SOFTCOPY

Applicant : OVERSEA LIGHTING & ELECTRIC (M) SDN. BHD.,
Lot 6595, Jalan KPB 12B, Kawasan Industri,
Kampung Baru Balakong,
43300 Seri Kembangan, Selangor, MALAYSIA.


Manufacturer : OVERSEA LIGHTING & ELECTRIC (M) SDN. BHD.,
Lot 6595, Jalan KPB 12B, Kawasan Industri,
Kampung Baru Balakong,
43300 Seri Kembangan, Selangor, MALAYSIA.

Product : LED Floodlight
Reference Standard / Method of Test : IEC 60598-2-5: 2015
IEC 60598-1:2014, AMD1:2017

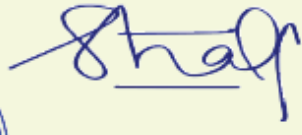
Description of sample : Brand Name : OLE Luminaires
Model / Type : See page 2
Rating : Voltage : 220-240 V~
Frequency : 50/60 Hz
Wattage : See page 2
IP Rating : IP 66

Date Received of Complete Application : 06 June 2023
Job No. : J20232120435
Description of Test Results : COMPLIED (See page 3 for details)
Issued Date : 27 September 2023

Approved Signatory;


(NURUL AMALINA BT MOHAMAD ASRI)
Testing Engineer




(SHARIFAH BINTI JUSOH)
Head
Electrical & Electronics 2 Section
Testing Services Department

Certificates

REPORT NO : 2023EB0467

PAGE : 2 OF 69

This Test Report refers only to samples submitted by the applicant to SIRIM QAS International Sdn. Bhd. and tested by SIRIM QAS International Sdn. Bhd. This Test Report shall not be reproduced, except in full and shall not be used for any purpose by any means or forms (including but not limited to advertising purposes) without written approval from the Head of Quality, Occupational Safety and Health & Environment (QOSHE), SIRIM QAS International Sdn. Bhd. Please refer to the last page of this Test Report for Conditions Relating to the Use of Test Report.

SUMMARY OF TESTS:

1. This is a type test report as requested by the applicant.
2. This test report covers 4 models of LED floodlights as below:

No	Model	Rating	Weight (kg)	Dimension (mm)
i.	OLE CHAMPION C1200W	220-240 V~, 50/60 Hz, 1200 W, 5.22 A, PF >0.95, IP 66, CCT 5000K.	38.73 kg	690 (L) x 672 (W) x 91 (H)
ii.	OLE CHAMPION C900W	220-240 V~, 50/60 Hz, 900 W, 3.91 A, PF >0.95, IP 66, CCT 5000K.	32.17 kg	385 (L) x 910 (W) x 88(H)
iii.	OLE CHAMPION C600W	220-240 V~, 50/60 Hz, 600 W, 2.61 A, PF >0.95, IP 66, CCT 5000K.	22.83 kg	651 (L) x 377 (W) x 88 (H)
iv.	OLE CHAMPION C300W	220-240 V~, 50/60 Hz, 300 W, 1.3 A, PF >0.95, IP 66, CCT 5000K.	11.87 kg	377 (L) x 349 (W) x 93 (H)

3. All the models are similar in electrical design and cosmetic design except for the rating and dimension as declared by the applicant.
4. All the tests were carried out on test sample model/type OLE CHAMPION C1200W which has the highest power rating as representative of the other model(s), unless otherwise specified.
5. Test for clause 5.12 and 5.13 of IEC 60598-2-5: 2015, also verified on model OLE CHAMPION C300W.
6. All the tests were carried out at an ambient temperature of 25 ± 5 °C and at voltage/frequency of 240V~/50Hz, unless otherwise specified.
7. The clause numbers between brackets refer to clauses in IEC 60598-1.
8. Verification tests of IEC 62031: 2008 were conducted on LED module which used in luminaire, see Annex 5.
9. Photobiological safety of lamp systems according to the requirement of IEC 62471:2006 was evaluated based on the results tested on the submitted sample OLE CHAMPION C1200W, which using the same type of LED package.
10. All the tests were conducted at SIRIM QAS International Sdn Bhd test laboratory.
11. The abbreviation used in this test report denotes as follows;
 - Pass : Complied with the requirement
 - Fail : Not complied with the requirement
 - NA : Not applicable with the requirement
 - NC : Not conducted



Certificates



SIRIM QAS International Sdn. Bhd.
(Company No.: 199601037981 (410334-X))
No.1, Persiaran Dato' Menteri, P.O.BOX 7035, Section 2,
40700 Shah Alam, Selangor Darul Ehsan, Malaysia
Tel: 012-2553701
Fax: 03-55446796
www.sirim-qas.com.my



TEST REPORT

REPORT NO : 2024EB0431	PAGE : 1 OF 74
This Test Report refers only to samples submitted by the applicant to SIRIM QAS International Sdn. Bhd. and tested by SIRIM QAS International Sdn. Bhd. This Test Report shall not be reproduced, except in full and shall not be used for any purpose by any means or forms (including but not limited to advertising purposes) without written approval from the Head of Quality, Occupational Safety and Health & Environment (QOSHE), SIRIM QAS International Sdn. Bhd. Please refer to the last page of this Test Report for Conditions Relating to the Use of Test Report.	

THIS TEST REPORT IS ISSUED IN SECURED PDF SOFTCOPY

Applicant : OVERSEA LIGHTING & ELECTRIC (M) SDN. BHD.,
Lot 6595, Jalan KPB 12B, Kawasan Industri,
Kampung Baru Balakong,
43300 Seri Kembangan, Selangor, MALAYSIA.

Manufacturer : OVERSEA LIGHTING & ELECTRIC (M) SDN. BHD.,
Lot 6595, Jalan KPB 12B, Kawasan Industri,
Kampung Baru Balakong,
43300 Seri Kembangan, Selangor, MALAYSIA.

Product : LED Floodlight

Reference Standard / Method of Test : IEC 60598-2-5: 2015
IEC 60598-1:2020

Description of sample : Brand Name: OLE Luminaires
Model / Type: OLE CHAMPION Series (See page 2)
Rating:
Voltage: 220-240 V~
Frequency: 50/60 Hz
Wattage: See page 2
IP Rating: IP 66

Date Received of Complete Application : 05 August 2024

Job No. : J20242120516

Description of Test Results : COMPLIED (See page 2 for details)

Issued Date : 26 September 2024

Approved Signatory;

(ABDUL HADI BIN ABDUL RAHMAN)
Testing Engineer



(RAFIDAH BINTI AHMAD)
Senior Testing Executive
Electrical & Electronics 2 Section
Testing Services Department

Certificates

REPORT NO : 2024EB0431	PAGE : 2 OF 74
<p>This Test Report refers only to samples submitted by the applicant to SIRIM QAS International Sdn. Bhd. and tested by SIRIM QAS International Sdn. Bhd. This Test Report shall not be reproduced, except in full and shall not be used for any purpose by any means or forms (including but not limited to advertising purposes) without written approval from the Head of Quality, Occupational Safety and Health & Environment (QOSHE), SIRIM QAS International Sdn. Bhd. Please refer to the last page of this Test Report for Conditions Relating to the Use of Test Report.</p>	

SUMMARY OF TESTS:

1. This is a type test report as requested by the applicant.
2. This test report covers 5 models of LED floodlights as below:

No.	Model	Rating	No. of LED package	Weight (kg)	Dimension (mm)
i.	OLE CHAMPION C1800	220-240 V~, 50/60 Hz, 1800 W, 7.83 A, PF >0.95, ta 50°C, IP 66, CCT 5000K.	576	52 kg	1110 (L) x 701 (W) x 235 (H)
ii.	OLE CHAMPION C1500	220-240 V~, 50/60 Hz, 1500 W, 6.51 A, PF >0.95, ta 50°C, IP 66, CCT 5000K.	384	35 kg	802 (L) x 701 (W) x 235 (H)
iii.	OLE CHAMPION C1200	220-240 V~, 50/60 Hz, 1200 W, 5.0 A, PF >0.95, ta 50°C, IP 66, CCT 5000K.	288	28 kg	1000 (L) x 701 (W) x 175 (H)
iv.	OLE CHAMPION C800	220-240 V~, 50/60 Hz, 800 W, 3.48 A, PF >0.95, ta 50°C, IP 66, CCT 5000K.	192	22 kg	700 (L) x 396 (W) x 175 (H)
v.	OLE CHAMPION C400	220-240 V~, 50/60 Hz, 400 W, 1.73 A, PF >0.95, ta 50°C, IP 66, CCT 5000K.	96	12 kg	400 (L) x 396 (W) x 175 (H)

3. All the models are similar in electrical design and cosmetic design except for the rating and dimension as declared by the applicant.
4. All the tests were carried out on test sample model/type OLE CHAMPION C1800 which has the highest power rating as representative of the other model(s), unless otherwise specified.
5. Test for clause 5.12 and 5.13 of IEC 60598-2-5: 2015, also verified on model OLE CHAMPION C400.
6. All the tests were carried out at an ambient temperature of 25 ± 5 °C and at voltage/frequency of 240V~/50Hz, unless otherwise specified.
7. The clause numbers between brackets refer to clauses in IEC 60598-1.
8. Verification tests of IEC 62031: 2008 were conducted on LED module which used in luminaire, see Annex 5.
9. Photobiological safety of lamp systems according to the requirement of IEC 62471:2006 was evaluated based on the results tested on the submitted sample OLE CHAMPION C1800, which using the same type of LED package.
10. All the tests were conducted at SIRIM QAS International Sdn Bhd test laboratory.



Certificates



No. Siri / Serial No. :
KPDN/LBM/2024/1488-27900

**KEMENTERIAN PERDAGANGAN DALAM NEGERI
DAN KOS SARA HIDUP**
MINISTRY OF DOMESTIC TRADE AND COST OF LIVING

SIJIL PENGIKTIRAFAN
CERTIFICATE OF RECOGNITION

LOGO BARANGAN MALAYSIA
MALYSIAN GOODS LOGO

dengan ini memperakui bahawa
hereby certify that

4 SKU SEPERTI DI LAMPIRAN I

yang dikilangkan / dikeluarkan oleh :
manufactured by :

OVERSEA LIGHTING & ELECTRIC (M) SDN. BHD.

LOT 6595
JALAN KPB 12B
KAWASAN INDUSTRI KG. BARU BALAKONG
43300 SERI KEMBANGAN
SELANGOR

telah memenuhi syarat-syarat bagi pensijilan Logo Barangan Malaysia
fulfill the terms and conditions for certification of Malaysian Goods Logo

Tempoh sah laku : 22 Januari 2024 - 21 Januari 2027
Validity : 22 January 2024 - 21 January 2027

KETUA SETIAUSAHA
SECRETARY GENERAL
KEMENTERIAN PERDAGANGAN DALAM NEGERI
DAN KOS SARA HIDUP



Tarikh / Date : 22 Januari 2024

Certificates

LAMPIRAN 1
No Siri/ Serial No :
KPDN/LBM/2024/1488-27900

Kategori / Category	Produk Malaysia / Malaysian Product	Buatan Malaysia / Malaysian Made
Bilangan SKU / No. of SKU	4	0

Kategori Produk Malaysia / Malaysian Product

Bil / No	Jenama / Brand	Nama Produk / Product Name	Perincian SKU / Details of SKU
1	OLE CHAMPION C SERIES	OLE C1200W	910MM X 810MM X 180MM 38.73KG KELABU TIDAK BERKAITAN
2	OLE CHAMPION C SERIES	OLE C300W	600MM X 460MM X 180MM 11.87KG KELABU TIDAK BERKAITAN
3	OLE CHAMPION C SERIES	OLE C600W	790MM X 600MM X 180MM 22.83KG KELABU TIDAK BERKAITAN
4	OLE CHAMPION C SERIES	OLE C900W	1100MM X 600MM X 180MM 32.17KG KELABU TIDAK BERKAITAN

Tempoh sah laku : 22 JANUARI 2024 - 21 JANUARI 2027
Validity : 22 JANUARY 2024 - 21 JANUARY 2027

Certificates



No. Siri / Serial No. :
KPDN/LBM/2024/1601-27900

**KEMENTERIAN PERDAGANGAN DALAM NEGERI
DAN KOS SARA HIDUP**
MINISTRY OF DOMESTIC TRADE AND COST OF LIVING

SIJIL PENGIKTIRAFAN
CERTIFICATE OF RECOGNITION

LOGO BARANGAN MALAYSIA
MALAYSIAN GOODS LOGO

dengan ini memperakui bahawa
hereby certify that

5 SKU SEPerti DI LAMPIRAN I

yang dikilangkan / dikeluarkan oleh :
manufactured by :

OVERSEA LIGHTING & ELECTRIC (M) SDN. BHD.

LOT 6595
JALAN KPB 12B
KAWASAN INDUSTRI KG. BARU BALAKONG
43300 SERI KEMBANGAN
SELANGOR

telah memenuhi syarat-syarat bagi pensijilan Logo Barangan Malaysia
fulfill the terms and conditions for certification of Malaysian Goods Logo

Tempoh sah laku : 29 November 2024 - 28 November 2027

Validity : 29 November 2024 - 28 November 2027

KETUA SETIAUSAHA
SECRETARY GENERAL
KEMENTERIAN PERDAGANGAN DALAM NEGERI
DAN KOS SARA HIDUP



Tarikh / Date : 29 November 2024

Certificates

LAMPIRAN 1
No Siri/ Serial No :
KPDN/LBM/2024/1601-27900

Kategori / Category	Produk Malaysia / Malaysian Product	Buatan Malaysia / Malaysian Made
Bilangan SKU / No. of SKU	5	0

Kategori Produk Malaysia / Malaysian Product

Bil / No	Jenama / Brand	Nama Produk / Product Name	Perincian SKU / Details of SKU
1	OLE CHAMPION C SERIES	OLE CHAMPION C1200 (3 MODULES)	1000MM X 701MM X 175MM 28 KG KELABU
2	OLE CHAMPION C SERIES	OLE CHAMPION C1500	802MM X 701MM X 235MM 35KG KELABU
3	OLE CHAMPION C SERIES	OLE CHAMPION C1800	1110MM X 701MM X 235MM 52KG KELABU
4	OLE CHAMPION C SERIES	OLE CHAMPION C400	400MM X 396MM X 175MM 12KG KELABU
5	OLE CHAMPION C SERIES	OLE CHAMPION C800	700MM X 396MM X 175MM 22KG KELABU

Tempoh sah laku : 29 NOVEMBER 2024 - 28 NOVEMBER 2027
Validity : 29 NOVEMBER 2024 - 28 NOVEMBER 2027

Certificates



QAV Technologies Sdn. Bhd. (616788-U)
116, Lintang Kg. Jawa, NFIZ 3,
Taman Perindustrian Bayan Lepas,
Mk. 12, 11900 Penang, MALAYSIA.
Tel No: 604 - 6438317 Fax No: 604 - 6438597
Website: www.qavtech.com

TEST REPORT

Vibration Test For LED Flood Lighting

Customer: Oversea Lighting & Electric (M)Sdn.Bhd
Address: Kawasan Industri, 6595, Jalan KPB 12/B,
Kampung Baru Balakong,
43300 Seri Kembangan, Selangor, Malaysia.
Customer Name: Calvin Thing
Product: LED Flood Lighting (OLE CHAMPION C1800W)
Test Prime: Azamudden
Test Performed: 4th July 2024
Report No: QAV-0724-0049

ABSTRACT: This report contains the **Vibration Test** results of the **LED Flood Lighting (OLE CHAMPION C1800W)** units manufactured by **Oversea Lighting & Electric (M)Sdn.Bhd.**

Proprietary Information

The information contained in this document is the property of QAV Technologies Sdn Bhd. Except as specifically authorized in writing by Oversea Lighting & Electric (M)Sdn.Bhd., the holder of this document: (1) shall keep all information contained herein confidential and shall protect same in whole or in part from disclosure and dissemination to all third parties and (2) shall use same for operating and maintenance purposes only. (3) The results provided only related to the items tested.

Prepared By: Azamudden

Date: 11th July 2024

107-000-002-FR-0104

Page 1 of 9

Report No: QAV-0724-0049

Certificates

9.0 Conclusion

Total 1 units of LED Flood Lighting (OLE CHAMPION C1800W) was subjected to vibration test. No abnormality was found on the physical units after complete the vibration test. The unit was then sent back to customer for further verification.

Test Location: QAV Technologies Sdn Bhd

Test Conducted by

Approved Signatory



.....
Azamudden
Project Engineer



.....
Chin Chia Siang
Technical Manager



Certificates



No Lesen : **PC005073**

Licence No :

SCHEDULE

OVERSEA LIGHTING & ELECTRIC (M) SDN. BHD.



Trade Mark : OLE
Model : OLE NEP EVO PRO420
Rating : 220-240V~, 50/60Hz, 420W, IP66

Trade Mark : OLE
Model : OLE NEP EVO PRO480
Rating : 220-240V~, 50/60Hz, 480W, IP66



Trade Mark : OLE
Model : OLE NEP EVO PRO600
Rating : 220-240V~, 50/60Hz, 600W, IP66

ACB 001



Trade Mark : OLE
Model : OLE NEP EVO PRO720
Rating : 220-240V~, 50/60Hz, 720W, IP66

Trade Mark : OLE
Model : OLE NEP EVO PRO840
Rating : 220-240V~, 50/60Hz, 840W, IP66

Trade Mark : OLE
Model : OLE DURA SPL600
Rating : 220-240V~, 50/60Hz, 600W, IP66

Trade Mark : OLE
Model : OLE DURA SPL1000
Rating : 220-240V~, 50/60Hz, 1000W, IP66

Trade Mark : OLE
Model : OLE DURA SPL1200
Rating : 220-240V~, 50/60Hz, 1200W, IP66

Trade Mark : OLE Luminaires
Model : OLE CHAMPION C300W
Rating : 220-240V~, 50/60Hz, 300W, IP66

Trade Mark : OLE Luminaires
Model : OLE CHAMPION C600W
Rating : 220-240V~, 50/60Hz, 600W, IP66

SIRIM QAS International Sdn. Bhd.
(No. Syarikat 199601037981(410334-X))

1, Persiaran Dato' Menteri
Seksyen 2, Peti Surat 7035
40700 Shah Alam
Selangor Darul Ehsan
MALAYSIA.

Tel : 603-5544 6000
Emel : cserviceqas@sirim.my

<https://www.sirim-qas.com.my>
<https://www.malaysiancertified.com.my>

Tarikh Mula Pensijilan : 27 April 2020

Certified Since

Sah Sehingga : 27 April 2025

Valid Until

Tarikh Dikeluarkan : 23 April 2024

Issue Date

No Siri : 097183

Serial No

Lesen ini dianugerahkan tertakluk kepada syarat-syarat Perjanjian Pensijilan Barangan SIRIM QAS International Sdn. Bhd.
This Licence is granted subject to the provisions of the Product Certification Agreement of SIRIM QAS International Sdn. Bhd.

Certificates



No Lesen : **PC005073**

Licence No :

SCHEDULE

OVERSEA LIGHTING & ELECTRIC (M) SDN. BHD.



Trade Mark : OLE Luminaires
Model : OLE CHAMPION C900W
Rating : 220-240V~, 50/60Hz, 900W, IP66

Trade Mark : OLE Luminaires
Model : OLE CHAMPION C1200W
Rating : 220-240V~, 50/60Hz, 1200W, IP66

End of page



ACB 001



SIRIM QAS International Sdn. Bhd.
(No. Syarikat 199601037981(410334-X))

1, Persiaran Dato' Menteri
Seksyen 2, Peti Surat 7035
40700 Shah Alam
Selangor Darul Ehsan
MALAYSIA.

Tel : 603-5544 6000
Emel : cserviceqas@sirim.my

<https://www.sirim-qas.com.my>
<https://www.malysiancertified.com.my>

Tarikh Mula Pensijilan : 27 April 2020

Certified Since

Sah Sehingga : 27 April 2025

Valid Until

Tarikh Dikeluarkan : 23 April 2024

Issue Date

No Siri : 097183

Serial No

Lesen ini dianugerahkan tertakuk kepada syarat-syarat Perjanjian Pensijilan Barangan SIRIM QAS International Sdn. Bhd.
This Licence is granted subject to the provisions of the Product Certification Agreement of SIRIM QAS International Sdn. Bhd.

Page 6 of 6

OVERSEA LIGHTING & ELECTRIC (M) SDN. BHD. (272782-K)



LED Factory

Lot 6595, Jalan KPB12B, Kawasan Industri Kampung Baru Balakong,
43300 Seri Kembangan, Selangor Darul Ehsan, Malaysia.

Tel: +603-8964 1878, 8964 1888, 8964 1899

Fax: +603-8964 1868

Email: info@oversealighting.com, sales@oversealighting.com

Web: www.oversealighting.com

Pole Factory

PT3481 (Lot996), Jalan Sg. Lalang Batu 22 1/2,
43500 Semenyih, Selangor, Malaysia.