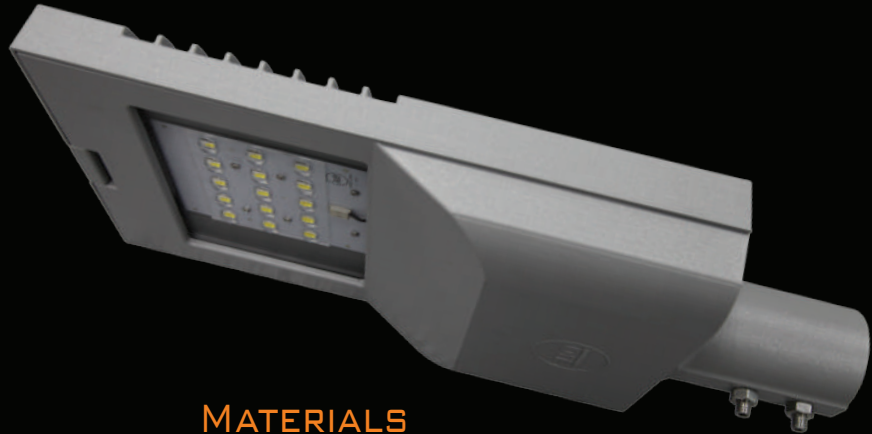


OLE can provide 7-10 years warranty

OLE FLEXI MINI



FEATURES

- Input voltage: 220V~240V / Universal input
- Lumen Maintenance: L90 @ 100,000 hours
- Working Temperature: -25°C ~ 50°C
- Storage Temperature: -25°C ~ 80°C
- Power Factor: >0.95 at Full Load

MATERIALS

- Casing material: Die-Cast Aluminum
ADC12, Powder-Coated Finishing
- Cover: 5mm Tempered Glass
- Driver: Dimmable, Programmable
& DALI Compatible 1~10V (Optional)
- NEMA Socket: Support ZHAGA, NEMA, ZIGBEE,
PLC, LORA Smart Lighting System (Optional)

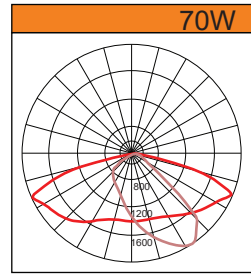
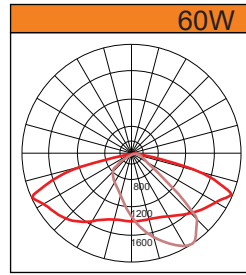
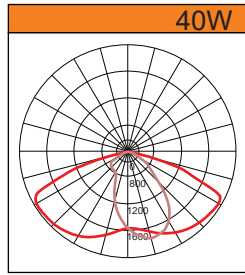
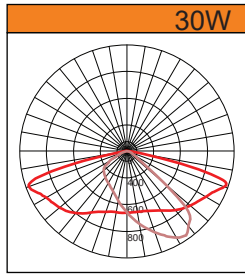


Specification

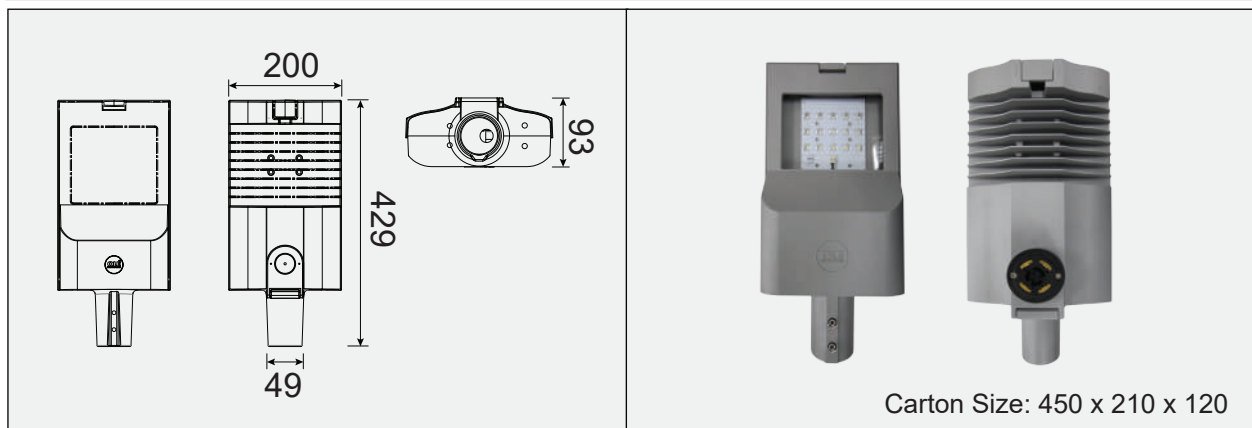
Model No.	Power	Input current	Weight	Lantern Size	CCT	Efficacy	Lumen
OLE Flexi Mini ST30	30W	0.13A	3.4kg	200 x 429mm	<3500K	160 lm/W	4800 lm
					4000K	165 lm/W	4950 lm
					5000K	165 lm/W	4650 lm
					6000K	166 lm/W	4980 lm
OLE Flexi Mini ST40	40W	0.17A	3.6kg	200 x 429mm	<3500K	165 lm/W	6600 lm
					4000K	166 lm/W	6640 lm
					5000K	166 lm/W	6640 lm
					6000K	167 lm/W	6680 lm
OLE Flexi Mini ST60	60W	0.23A	3.6kg	200 x 429mm	<3500K	155 lm/W	9300 lm
					4000K	156 lm/W	9360 lm
					5000K	156 lm/W	9360 lm
					6000K	157 lm/W	9420 lm
OLE Flexi Mini ST70	70W	0.30A	3.7kg	200 x 429mm	<3500K	150 lm/W	10500 lm
					4000K	150 lm/W	10500 lm
					5000K	150 lm/W	10500 lm
					6000K	151 lm/W	10570 lm

*Flux data based on $T_a = 35^\circ\text{C}$, CCT & Lumen + - 10%

Photometric Data



OLE FLEXI MINI



**Suitable for 48mm spigot adaptor only*



Construction of OLE FLEXI MINI



LED Modules



Spigot 42mm
(60mm optional)

4 ————○
Smart control for dimming
NEMA socket : Support NEMA,
ZIGBEE, LORA smart lighting
system (optional)

5 ————○
IP65 protection
compartment

6 ————○
Interchangable
spigot



NEMA Socket
(Optional)



Gear Compartment

