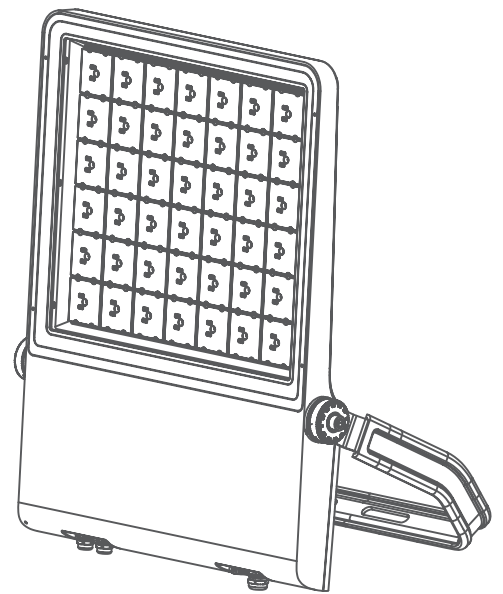




## LED FLOOD LIGHT FL04 SERIES



50W-100W/150W-200W/240W-320W  
350W-600W/700W-1000W



**OVERSEA LIGHTING & ELECTRIC (M) SDN. BHD. (272782-K)**

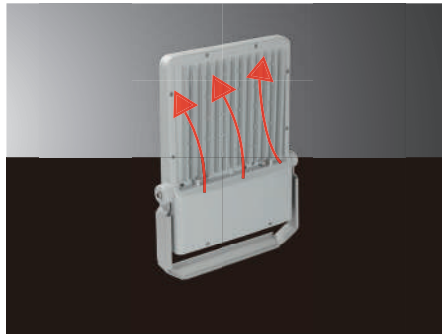
Address: Lot 6595, Jalan KPB 12B, Kawasan Industri Kg. Baru Balakong, 43300 Seri Kembangan, Selangor Darul Ehsan, Malaysia.  
Tel: +603-8964 1878, 8964 1888, 8964 1899 Fax: +603-8964 1868  
Email: [info@oversealighting.com](mailto:info@oversealighting.com), [sales@oversealighting.com](mailto:sales@oversealighting.com)  
Web: [www.oversealighting.com](http://www.oversealighting.com)



## FEATURES



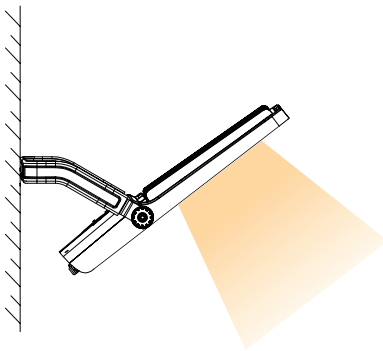
IP66 Waterproof



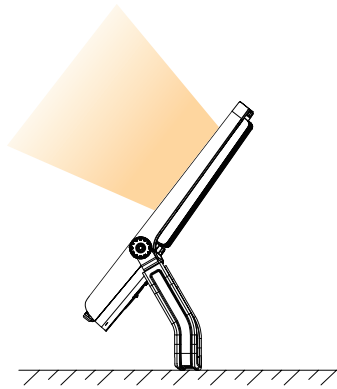
Efficient Heat Dissipation



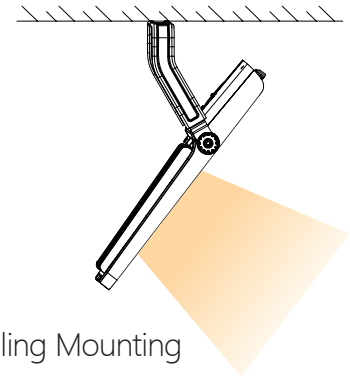
180° Adjustable Metal Holder



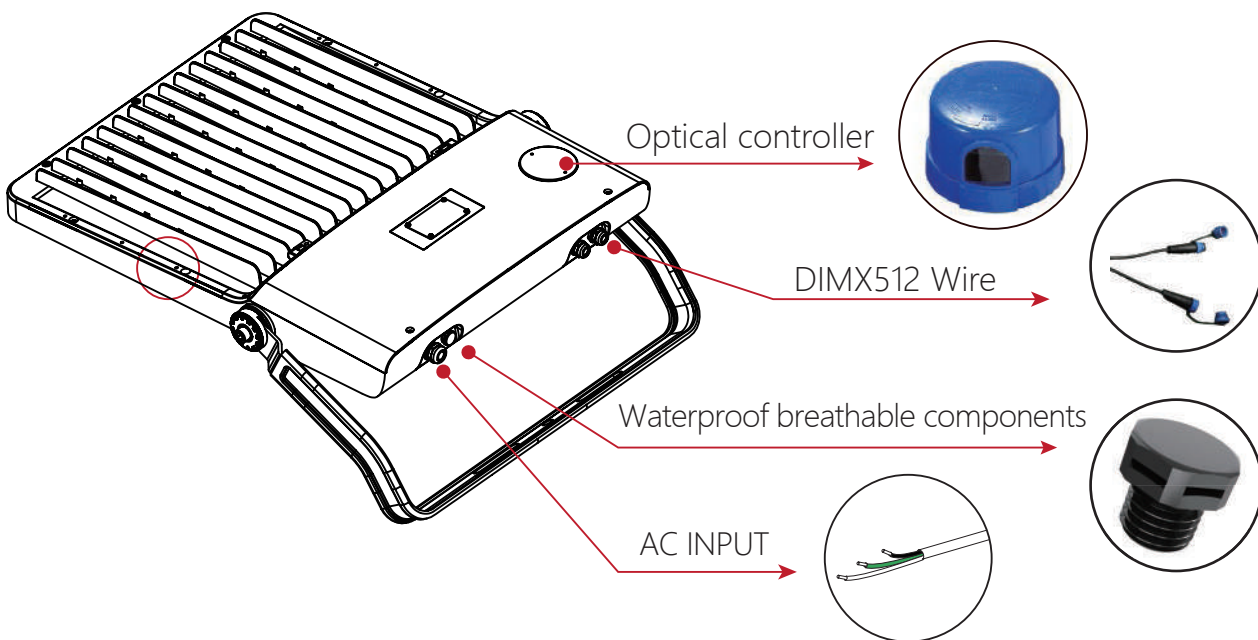
Wall mounting



Stand on the Floor



Ceiling Mounting



**OVERSEA LIGHTING & ELECTRIC (M) SDN. BHD. (272782-K)**

Address: Lot 6595, Jalan KPB 12B, Kawasan Industri Kg. Baru Balakong, 43300 Seri Kembangan, Selangor Darul Ehsan, Malaysia.  
Tel: +603-8964 1878, 8964 1888, 8964 1899 Fax: +603-8964 1868  
Email: [info@oversealighting.com](mailto:info@oversealighting.com), [sales@oversealighting.com](mailto:sales@oversealighting.com)  
Web: [www.oversealighting.com](http://www.oversealighting.com)



## DATA SHEET

Model	FL04-100W	FL04-200W	FL04-320W	FL04-600W	FL04-1000W
Rated Wattage	50W-100W	150W-200W	240W-320W	350W-600W	700W-1000W
Input	AC120V-277V,50/60Hz AC200V-240V,50/60Hz AC277V-480V,50/60Hz				
Lumen Output(±10%)	8000-16000lm	24000-32000lm	38400-51200lm	56000-96000lm	112000-160000lm
Efficacy	>160 lm/W				
LED CHIP	SMD5050/SMD2835/SMD5050				
CCT	2700K/3000K/4000K/4500K/5000K/6000K/6500K				
CRI	70CRI / 80CRI / 90CRI				
THD	<20%				
Power Factor	>0.95				
Dimming	0-10V Dimming / DMX512				
LED lumen Maintenance	L70> 100,000 Operation Hours@55°C				
Beam Angle	30°/45°/60°/90°/120°/T2VS/T3VS				
Ambient Temperature	-40°C~+50°C(-40°F to 122°F)				
IP Rating	UL Listed for Wet Locations, IP66, IK08				
Lens Material	PC Lens+Glass Cover				
Warrant	5 YEARS				



### FL04 series Led Floodlight

- \* High lumen efficiency and high brightness.
- \* High efficacy up to 160lm/W.
- \* Great impact resistance with IK08 rating.
- \* 0-10V Dimming / DMX512



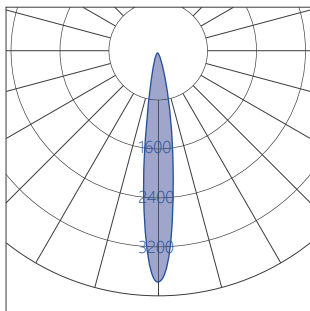
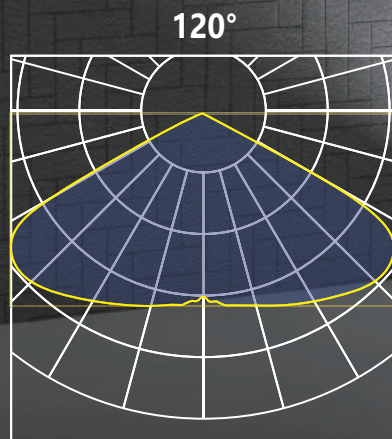
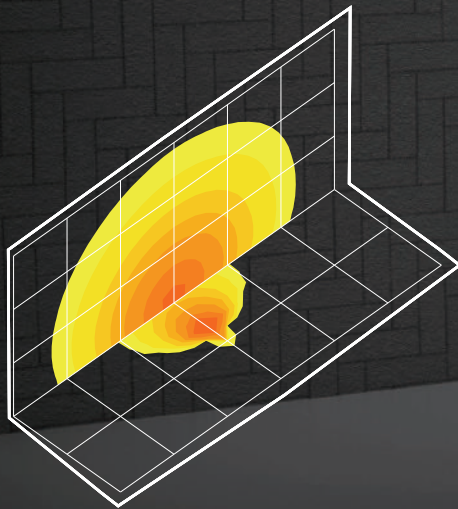
**OVERSEA LIGHTING & ELECTRIC (M) SDN. BHD. (272782-K)**

Address: Lot 6595, Jalan KPB 12B, Kawasan Industri Kg. Baru Balakong, 43300 Seri Kembangan, Selangor Darul Ehsan, Malaysia.  
 Tel: +603-8964 1878, 8964 1888, 8964 1899 Fax: +603-8964 1868  
 Email: [info@oversealighting.com](mailto:info@oversealighting.com), [sales@oversealighting.com](mailto:sales@oversealighting.com)  
 Web: [www.oversealighting.com](http://www.oversealighting.com)

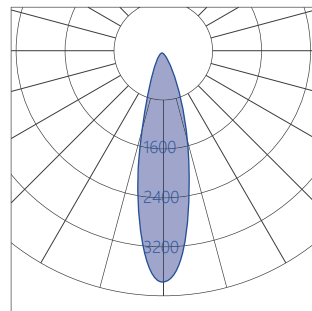


## Photometry

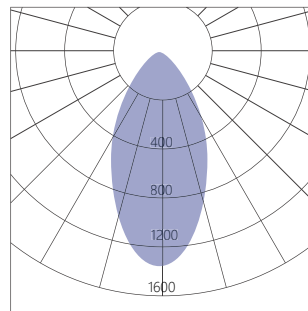
High brightness, wide irradiation area  
Better lighting effect



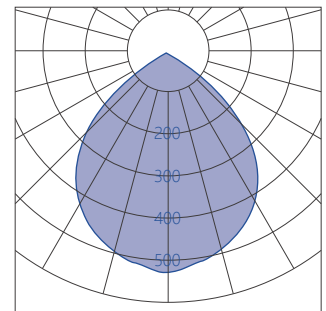
15°



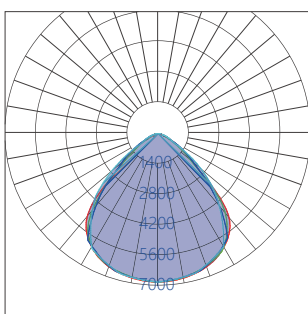
30°



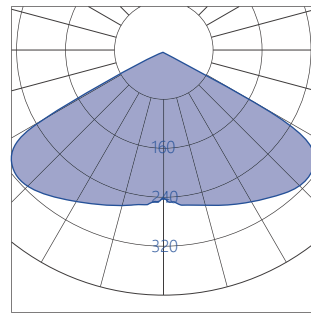
45°



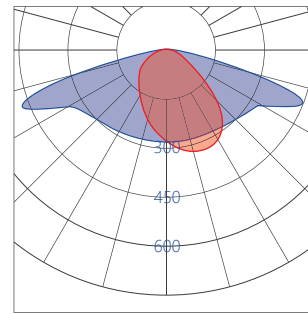
60°



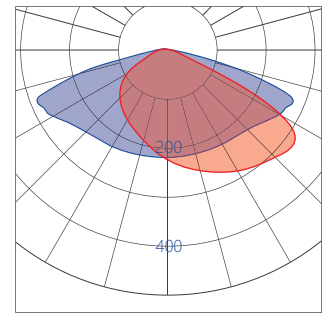
90°



120°



T2VS



T3VS

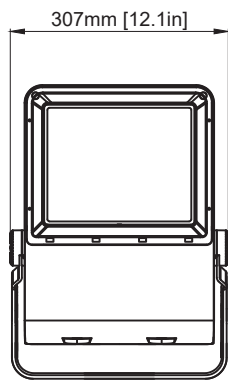
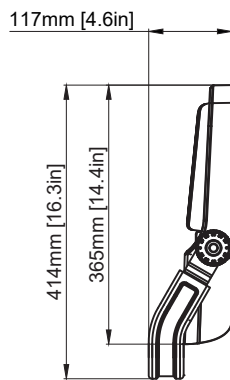


**OVERSEA LIGHTING & ELECTRIC (M) SDN. BHD. (272782-K)**

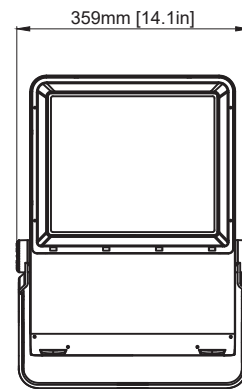
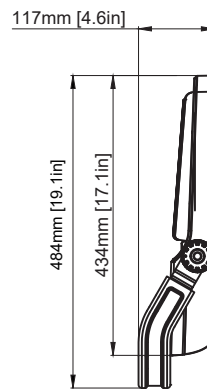
Address: Lot 6595, Jalan KPB 12B, Kawasan Industri Kg. Baru Balakong, 43300 Seri Kembangan, Selangor Darul Ehsan, Malaysia.  
Tel: +603-8964 1878, 8964 1888, 8964 1899 Fax: +603-8964 1868  
Email: info@oversealighting.com, sales@oversealighting.com  
Web: www.oversealighting.com



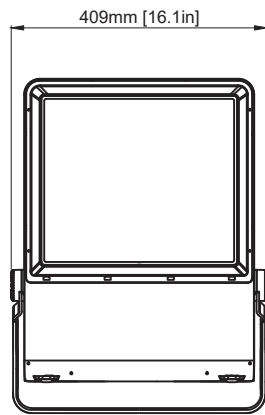
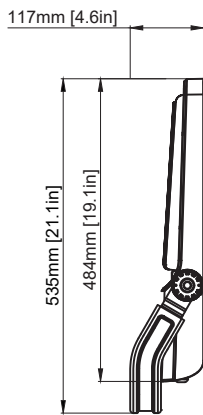
## Product Dimension



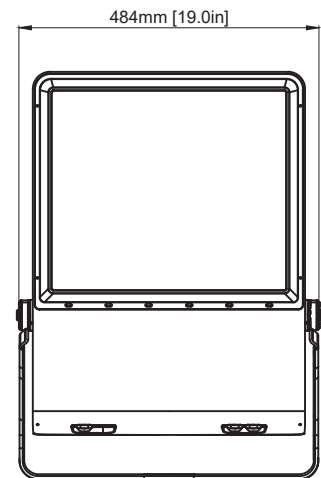
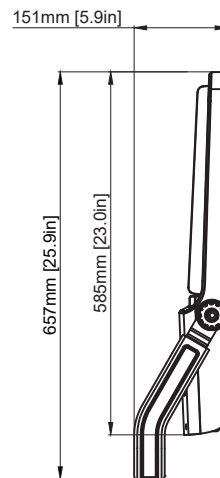
FL04-100W



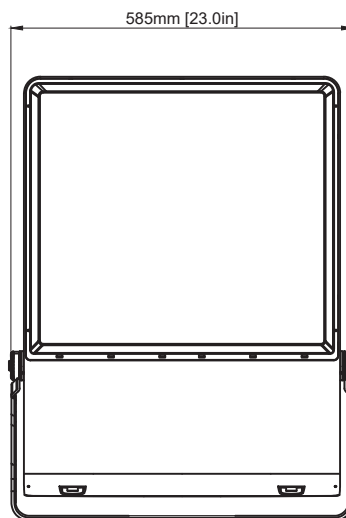
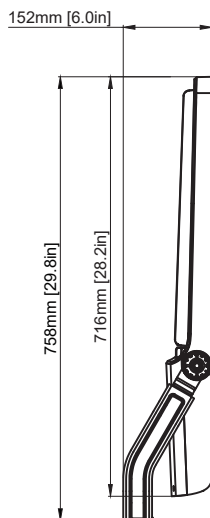
FL04-200W



FL04-320W



FL04-600W

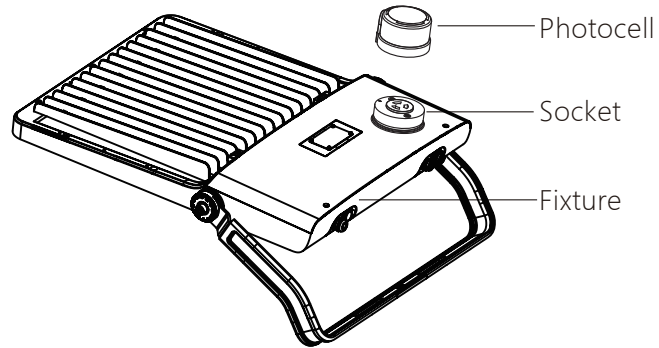


FL04-1000W



## Instructions for Photocell

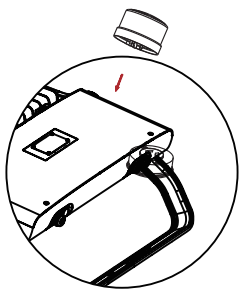
When the photocell function is required, photocell should be installed on the back of fixture;



Photocell sensor

Step1

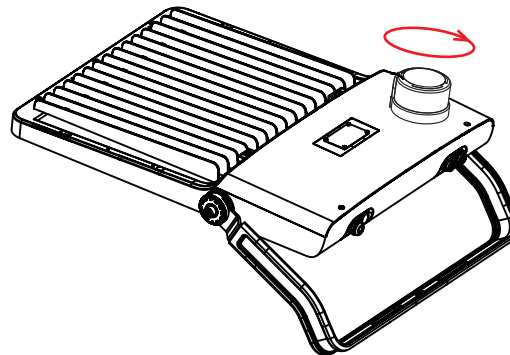
Photocell is matched to the base holes.



Photocell

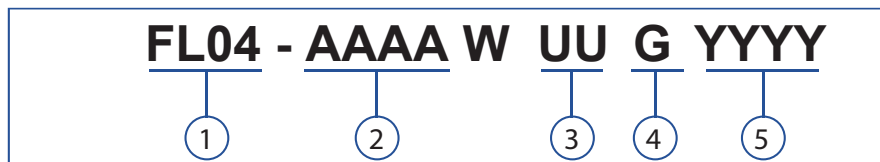
Step2

Turn the photocell clockwise.



## Model Nomenclature

Model: **FL04-AAAAWUUGYYYY**, For example: **FL04-0200W50D0120**



① PRODUCT NAME

- ◆ FL04=FLOOD LIGHT 04

② WATTAGE

- ◆ 0100=100W
- ◆ 0200=200W
- ◆ 0320=320W
- ◆ 0600=600W
- ◆ 1000=1000W
- ◆ -----

③ CCT

- ◆ 30=3000K
- ◆ 40=4000K
- ◆ 50=5000K
- ◆ 65=6500K
- ◆ -----

④ Dimming Option

- ◆ N=Non-dimmable
- ◆ D=0-10V Dimming
- ◆ M=DMX512
- ◆ K=Photocell

⑤ Beam Angle

- ◆ 0030=30°
- ◆ 0045=45°
- ◆ 0060=60°
- ◆ 0090=90°
- ◆ 0120=120°
- ◆ -----



**OVERSEA LIGHTING & ELECTRIC (M) SDN. BHD. (272782-K)**

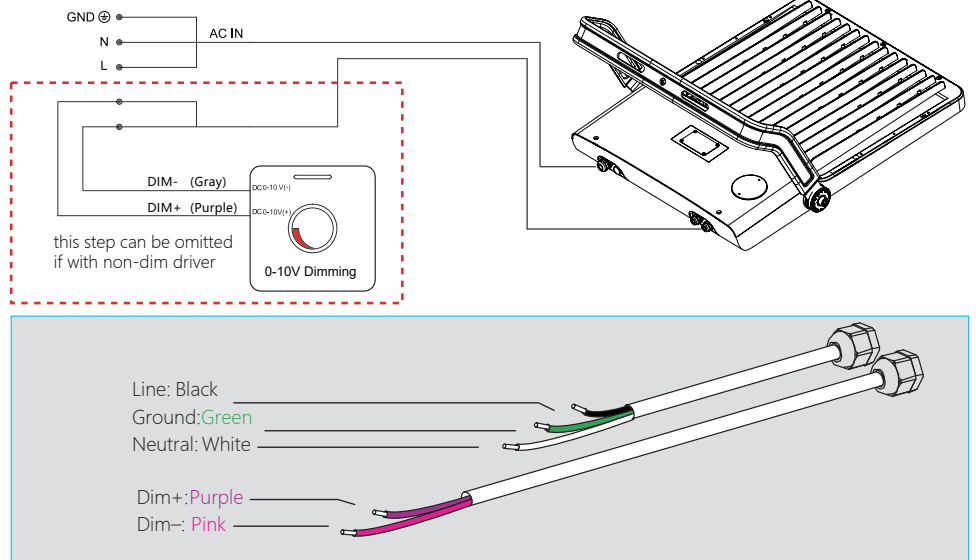
Address: Lot 6595, Jalan KPB 12B, Kawasan Industri Kg. Baru Balakong, 43300 Seri Kembangan, Selangor Darul Ehsan, Malaysia.  
 Tel: +603-8964 1878, 8964 1888, 8964 1899 Fax: +603-8964 1868  
 Email: info@oversealighting.com, sales@oversealighting.com  
 Web: www.oversealighting.com



## Wiring diagram

Turn off the power, connect AC wire  
Dimmer connection (With dimmable driver).

1. Compatible with 0-10v dimming
2. Connect wires as below, Purple wire is DIM+ , Gray wire is DIM-



## Packing Information

Model	Net Weight	Package Dimension (LxWxH)
100W	5.4kg	490x355x120mm
200W	7.0kg	545x405x120mm
320W	9.4kg	605x460x130mm
600W	13.9kg	740x535x135mm
1000W	18.0kg	840*630*135mm

## Applications

- Public Square
- Port
- Parking Lot
- Shipping Yard
- Airport
- Sporting Facility
- Railway
- Container Loading Area



**OVERSEA LIGHTING & ELECTRIC (M) SDN. BHD. (272782-K)**

Address: Lot 6595, Jalan KPB 12B, Kawasan Industri Kg. Baru Balakong, 43300 Seri Kembangan, Selangor Darul Ehsan, Malaysia.  
Tel: +603-8964 1878, 8964 1888, 8964 1899 Fax: +603-8964 1868  
Email: [info@oversealighting.com](mailto:info@oversealighting.com), [sales@oversealighting.com](mailto:sales@oversealighting.com)  
Web: [www.oversealighting.com](http://www.oversealighting.com)

