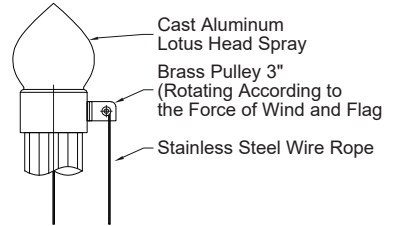
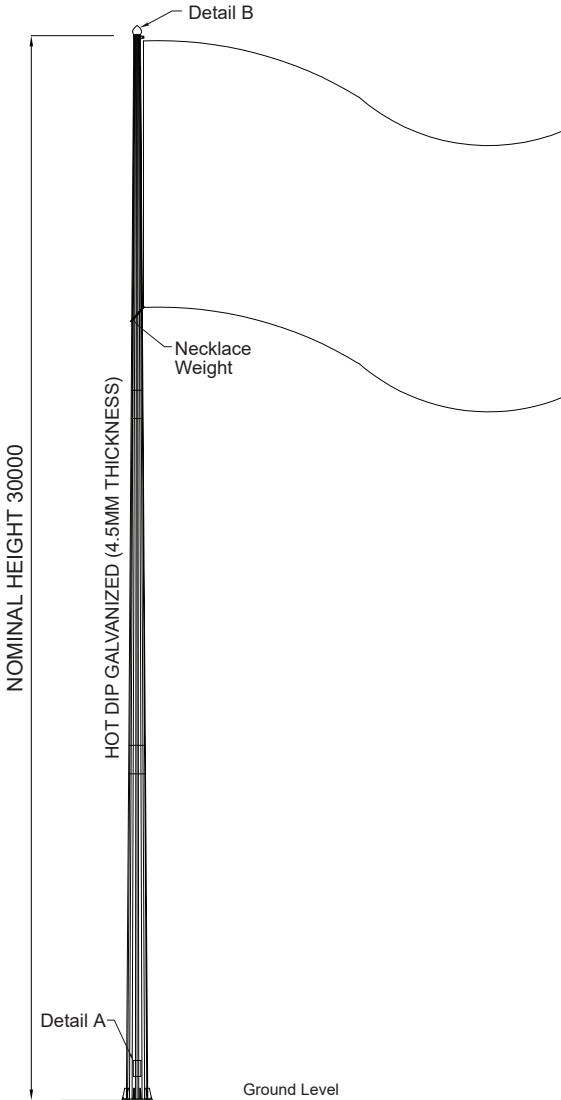
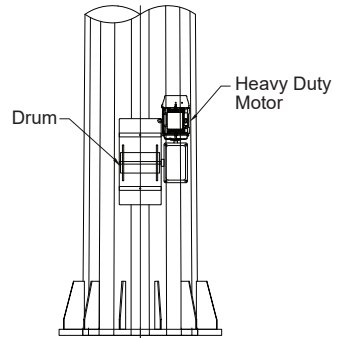


**Application**

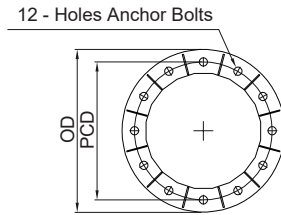
Parade Ground, Park and etc



Detail B



Detail A  
Service Door for Motor



Base Flange