

## Octagonal Pole / Spigot Arm

### Application

Street lighting column with short spigot arm has a wide suitable applications ranging from main roads, residential subsidiary area, commercial developments, parking area, pathway and many others.

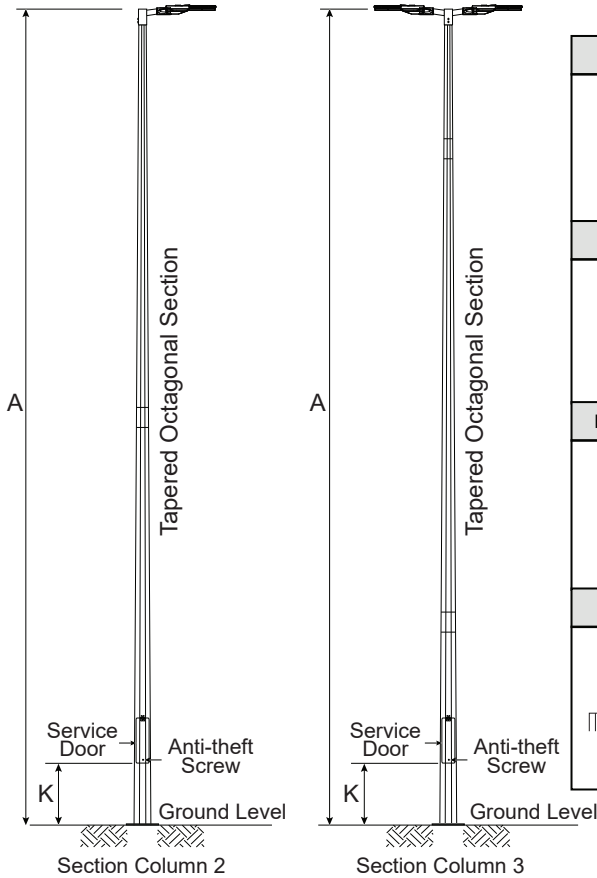


Single Spigot Arm



Double Spigot Arm

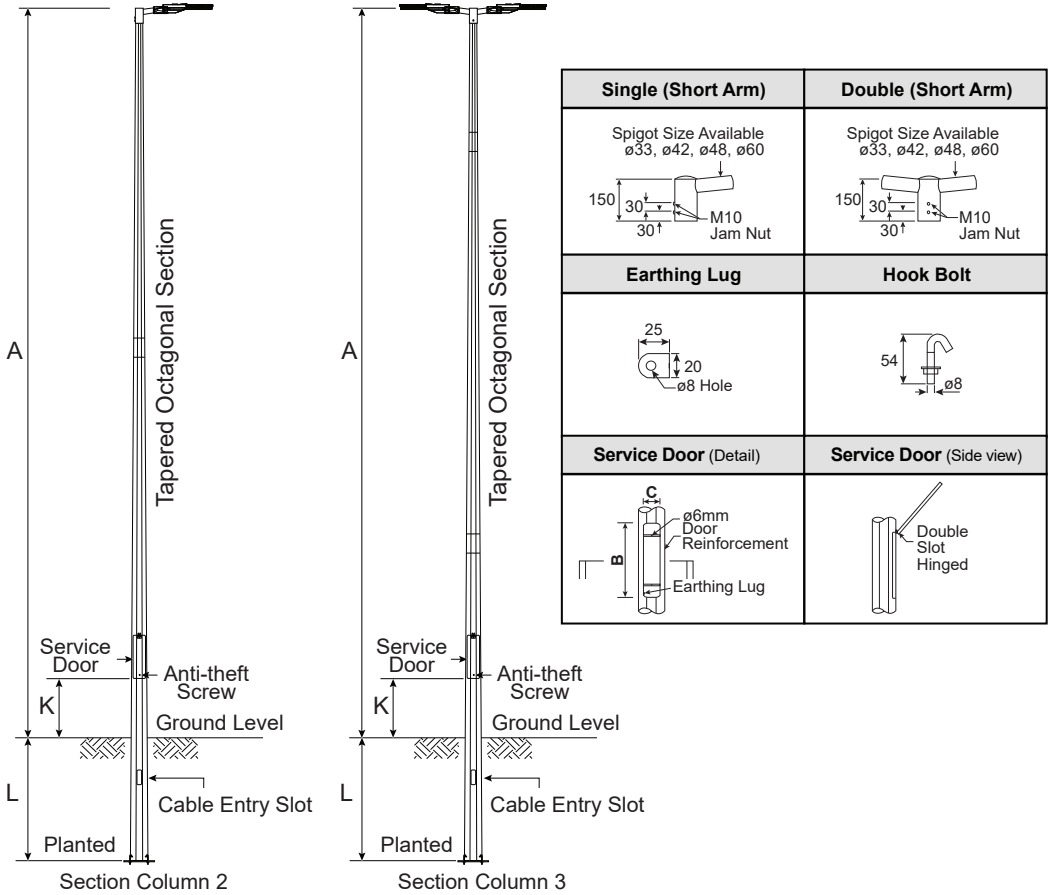
Octagonal Pole / Spigot Arm / Flange Mounted Type



Single (Short Arm)	Double (Short Arm)
Spigot Size Available ø33, ø42, ø48, ø60 	Spigot Size Available ø33, ø42, ø48, ø60 
J-Bolt	I-Bolt
Flange Plate x (F) Thk.	Earthing Lug
Service Door (Detail)	Service Door (Side view)

Height	Service Door		Flange Plate		I/J-Bolt	Grd. Lvl. to Service Door	
	A	B	C	D x E x (F) THK.	G x H	J	K
Meter	MM	MM	MM	MM	MM	MM	MM
3/4	350	90	250x195x9	20x45	ø16x280 (L)	305	
5	450	90	300x220x9	20x45	ø16x280 (L)	305	
6	450	90	300x220x9	25x50	ø20x450 (L)	305	
7	450	90	300x220x9	25x50	ø20x450 (L)	305	
8	450	90	300x220x12	25x50	ø20x450 (L)	305	
9	450	100	300x220x12	25x50	ø20x450 (L)	500 (1800 Optional)	
10	450	100	350x260x16	30x55	ø24x570 (L)	500 (1800/2000 Optional)	
11	450	120	400x300x16	30x55	ø24x570 (L)	500 (1800/2000 Optional)	
12	450	120	400x300x16	30x55	ø24x570 (L)	500 (1800/2000 Optional)	
15	450	130	400x300x16	30x55	ø24x570 (L)	500 (1800/2000 Optional)	

Octagonal Pole / Spigot Arm / Planted Type



Height	Service Door		Grd. Lvl. to Service Door	Planting Depth
A	B	C	K	L
Meter	MM	MM	MM	MM
3/4	350	90	305	600/800
5	450	90	305	1000
6	450	90	305	1100
7	450	90	305	1200
8	450	90	305	1300
9	450	100	500 (1800 Optional)	1400
10	450	100	500 (1800/2000 Optional)	1500
11	450	120	500 (1800/2000 Optional)	1600
12	450	120	500 (1800/2000 Optional)	1700
15	450	130	500 (1800/2000 Optional)	2000