

# JKC-L-40W Integrated Solar LED Floodlight/ Street Light

(2 days autonomy)



### Casing Material

Aluminium Alloy

### Dimming System

12H 100%

### Wire Connector

IP68 Waterproof Connector

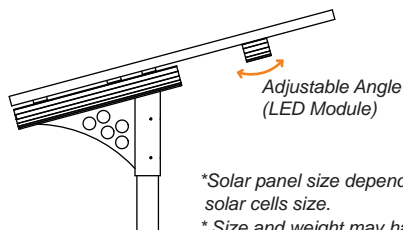
### Packing & Weight

Product Size : 975\*670\*125MM (Luminaire)  
 (Type A & Type B) : 601.5\*540\*85.3MM (Bracket)  
 Packing Size : 1055\*750\*225MM (Luminaire)  
 (Type A & Type B) : 1000\*650\*180MM (Bracket)

### Net Weight

Luminaire : 41KG (Type A) / 36KG (Type B)  
 Bracket : 4.5KG (Type A & Type B)  
 Gross Weight  
 Luminaire : 43.5KG (Type A) / 38.5KG (Type B)  
 Bracket : 5.2KG (Type A & Type B)

### Mounting Bracket Type



### Solar Panel

Type : Imported High Efficiency Monocrystalline Silicon  
 Max Power : 36V 110W (Type B)  
 Lifetime : 25 Years

### Battery

Type : LiFePO4 Battery  
 Rating : 25.6V 45AH  
 Lifetime : 5 Years

### LED Lamp

Max Power : 40W  
 LED Chip : Lumileds 5050  
 Chip Quantity : 28 PCS  
 System Efficacy : Typical 175.15 lm/W  
 Total Lumen : Typical 7,000 lm  
 Lifetime : 100,000 Hours

### Ingress Protection

IP66 Optical Compartment

### Charge Time

By Sun : 4.5 Hours

### Discharge Time

2 Cloud / Rainy Days / 24 hours

### Working Temperature

Range : -25°C ~ +65°C

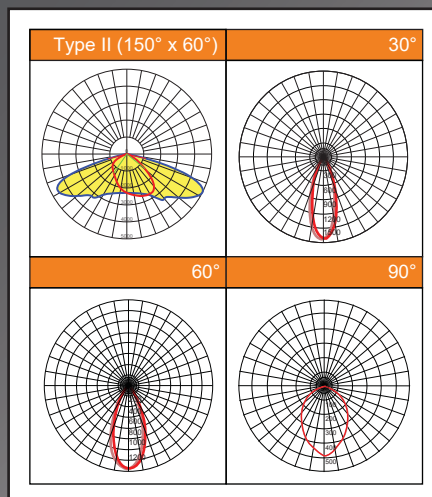
### Colour Temperature

Range : 3000K - 6500K

### Mounting Recommendation

Height : 4 - 6M  
 Distance : 16 - 25M

### Light Distribution Curve



\*Optional for GPRS/Zigbee/LoRaWAN Smart System

\* Size and weight may have a tolerance of +-10%

# JKC-L-60W Integrated Solar LED Floodlight/ Street Light

(Type A: 3 days autonomy / Type B: 2 days autonomy)



## Casing Material

Aluminium Alloy

## Dimming System

12H 100%

## Wire Connector

IP68 Waterproof Connector

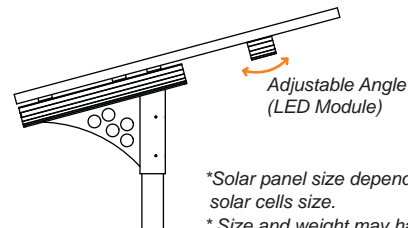
## Packing & Weight

Product Size : 1650\*680\*125MM (Luminaire)  
 (Type A & Type B) : 601.5\*540\*85.3MM (Bracket)  
 Packing Size : 1730\*760\*225MM (Luminaire)  
 (Type A & Type B) : 1000\*650\*180MM (Bracket)

## Net Weight

Luminaire : 48KG (Type A) / 45KG (Type B)  
 Bracket : 5KG (Type A & Type B)  
 Gross Weight  
 Luminaire : 50.5KG (Type A) / 47.5KG (Type B)  
 Bracket : 5.7KG (Type A & Type B)

## Mounting Bracket Type



\*Solar panel size depends on available solar cells size.

\* Size and weight may have a tolerance of +/-10%

## Solar Panel

Type : Imported High Efficiency Monocrystalline Silicon  
 Max Power : 36V 210W (Type A & Type B)  
 Lifetime : 25 Years

## Battery

Type : LiFePO4 Battery  
 Rating : 25.6V 90AH (Type A)  
 25.6V 60AH (Type B)  
 Lifetime : 5 Years

## LED Lamp

Max Power : 60W  
 LED Chip : Lumileds 5050  
 Chip Quantity : 28 PCS  
 System Efficacy : Typical 175.15 lm/W  
 Total Lumen : Typical 10,505 lm  
 Lifetime : 100,000 Hours

## Ingress Protection

IP66 Optical Compartment

## Charge Time

By Sun : 4.5 Hours

## Discharge Time

3 Cloud / Rainy Days / 36 hours (Type A)  
 2 Cloud / Rainy Days / 24 hours (Type B)

## Working Temperature

Range : -25°C ~ +65°C

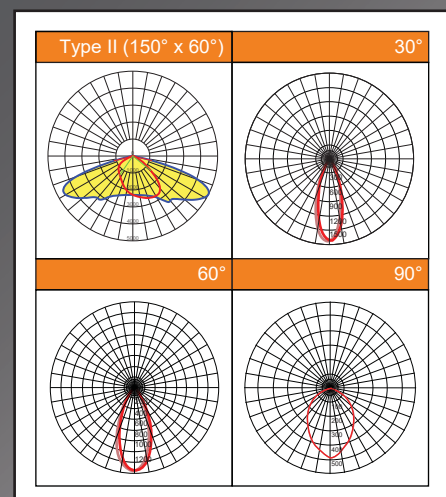
## Colour Temperature

Range : 3000K - 6500K

## Mounting Recommendation

Height : 7 - 8M  
 Distance : 23 - 34M

## Light Distribution Curve



\*Optional for GPRS/Zigbee/L0RaWAN Smart System

\* Size and weight may have a tolerance of +/-10%

# JKC-L-80W Integrated Solar LED Floodlight/ Street Light

(Type A: 3 days autonomy / Type B: 2 days autonomy)



## Solar Panel

Type : Imported High Efficiency Monocrystalline Silicon  
 Max Power : 36V 210W (Type A & Type B)  
 Lifetime : 25 Years

## Battery

Type : LiFePO4 Battery  
 Rating : 25.6V 150AH (Type A)  
           25.6V 90AH (Type B)  
 Lifetime : 5 Years

## LED Lamp

Max Power : 80W  
 LED Chip : Lumileds 5050  
 Chip Quantity : 48 PCS  
 System Efficacy : Typical 185.62 lm/W  
 Total Lumen : Typical 14,850 lm  
 Lifetime : 100,000 Hours

## Ingress Protection

IP66 Optical Compartment

## Charge Time

By Sun : 4.5 Hours

## Discharge Time

3 Cloud / Rainy Days / 36 hours (Type A)  
 2 Cloud / Rainy Days / 24 hours (Type B)

## Working Temperature

Range : -25°C ~ +65°C

## Colour Temperature

Range : 3000K - 6500K

## Mounting Recommendation

Height : 8 - 10M  
 Distance : 23 - 34M

## Casing Material

Aluminium Alloy

## Dimming System

12H 100%

## Wire Connector

IP68 Waterproof Connector

## Packing & Weight

Product Size : 1650\*680\*125MM (Luminaire)  
 (Type A & Type B) : 601.5\*540\*85.3MM (Bracket)  
 Packing Size : 1730\*760\*225MM (Luminaire)  
 (Type A & Type B) : 1000\*650\*180MM (Bracket)

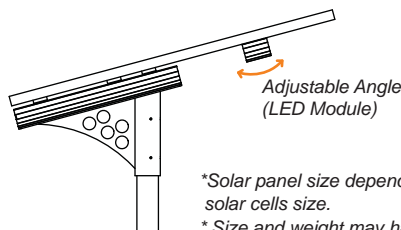
## Net Weight

Luminaire : 63KG (Type A) / 58KG (Type B)  
 Bracket : 5KG (Type A & Type B)

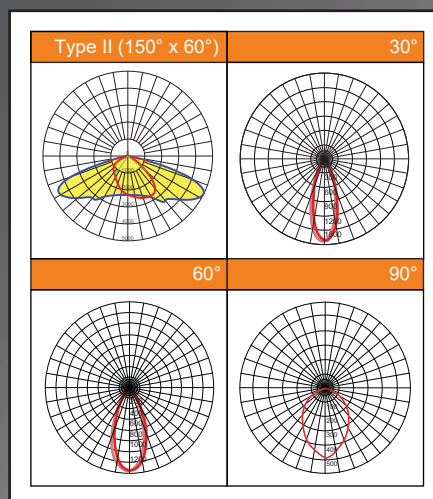
## Gross Weight

Luminaire : 65.5KG (Type A) / 60.5KG (Type B)  
 Bracket : 5.7KG (Type A & Type B)

## Mounting Bracket Type



## Light Distribution Curve



\*Optional for GPRS/Zigbee/L0RaWAN Smart System

\* Size and weight may have a tolerance of +-10%

# JKC-L-100W Integrated Solar LED Floodlight/ Street Light

(Type A: 3 days autonomy / Type B: 2 days autonomy)



### Solar Panel

Type : Imported High Efficiency Monocrystalline Silicon  
 Max Power : 36V 320W (Type A & Type B)  
 Lifetime : 25 Years

### Battery

Type : LiFePO4 Battery  
 Rating : 25.6V 180AH (Type A)  
           25.6V 120AH (Type B)  
 Lifetime : 5 Years

### LED Lamp

Max Power : 100W  
 LED Chip : Lumileds 5050  
 Chip Quantity : 48 PCS  
 System Efficacy : Typical 146.76 lm/W  
 Total Lumen : Typical 14,735 lm  
 Lifetime : 100,000 Hours

### Ingress Protection

IP66 Optical Compartment

### Charge Time

By Sun : 4.5 Hours

### Discharge Time

3 Cloud / Rainy Days / 36 hours (Type A)  
 2 Cloud / Rainy Days / 24 hours (Type B)

### Working Temperature

Range : -25°C ~ +65°C

### Colour Temperature

Range : 3000K - 6500K

### Mounting Recommendation

Height : 9 - 12M  
 Distance : 23 - 34M

### Casing Material

Aluminium Alloy

### Dimming System

12H 100%

### Wire Connector

IP68 Waterproof Connector

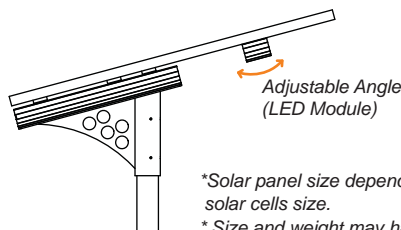
### Packing & Weight

Product Size : 1650\*1250\*125MM (Luminaire)  
 (Type A & Type B) : 601.5\*540\*85.3MM (Bracket)  
 Packing Size : 1730\*1330\*225MM (Luminaire)  
 (Type A & Type B) : 1000\*650\*180MM (Bracket)

### Net Weight

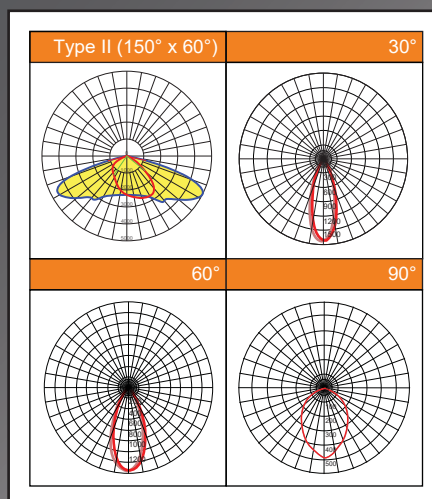
Luminaire : 68KG (Type A) / 63KG (Type B)  
 Bracket : 8.5KG (Type A & Type B)  
 Gross Weight  
 Luminaire : 70.5KG (Type A) / 65.5KG (Type B)  
 Bracket : 9.2KG (Type A & Type B)

### Mounting Bracket Type



\*Solar panel size depends on available solar cells size.  
 \* Size and weight may have a tolerance of +-10%

### Light Distribution Curve



\*Optional for GPRS/Zigbee/L0RaWAN Smart System

\* Size and weight may have a tolerance of +-10%

# JKC-L-120W Integrated Solar LED Floodlight/ Street Light

(Type A: 3 days autonomy / Type B: 2 days autonomy)



### Casing Material

Aluminium Alloy

### Dimming System

12H 100%

### Wire Connector

IP68 Waterproof Connector

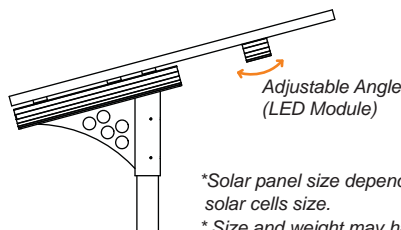
### Packing & Weight

Product Size : 1650\*1250\*125MM (Luminaire)  
 (Type A & Type B) : 601.5\*540\*85.3MM (Bracket)  
 Packing Size : 1730\*1330\*225MM (Luminaire)  
 (Type A & Type B) : 1000\*650\*180MM (Bracket)

### Net Weight

Luminaire : 78KG (Type A) / 75KG (Type B)  
 Bracket : 8.5KG (Type A & Type B)  
 Gross Weight  
 Luminaire : 80.5KG (Type A) / 77.5KG (Type B)  
 Bracket : 9.2KG (Type A & Type B)

### Mounting Bracket Type



\*Solar panel size depends on available solar cells size.  
 \* Size and weight may have a tolerance of +/-10%

### Solar Panel

Type : Imported High Efficiency Monocrystalline Silicon  
 Max Power : 36V 320W (Type A & Type B)  
 Lifetime : 25 Years

### Battery

Type : LiFePO4 Battery  
 Rating : 25.6V 210AH (Type A)  
 25.6V 150AH (Type B)  
 Lifetime : 5 Years

### LED Lamp

Max Power : 120W  
 LED Chip : Lumileds 5050  
 Chip Quantity : 48 PCS  
 System Efficacy : Typical 138.9 lm/W  
 Total Lumen : Typical 16,751 lm  
 Lifetime : 100,000 Hours

### Ingress Protection

IP66 Optical Compartment

### Charge Time

By Sun : 4.5 Hours

### Discharge Time

3 Cloud / Rainy Days / 36 hours (Type A)  
 2 Cloud / Rainy Days / 24 hours (Type B)

### Working Temperature

Range : -30°C ~ +70°C

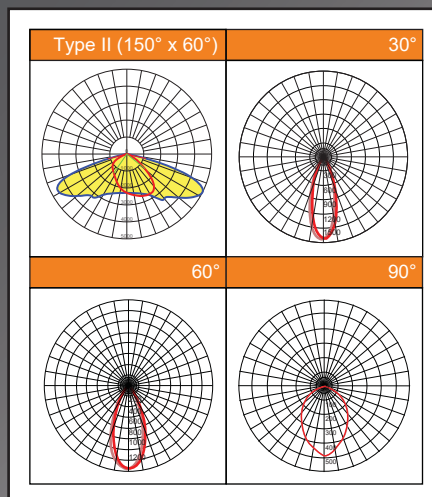
### Colour Temperature

Range : 3000K - 6500K

### Mounting Recommendation

Height : 9 - 12M  
 Distance : 30 - 38M

### Light Distribution Curve



\*Optional for GPRS/Zigbee/L0RaWAN Smart System

\* Size and weight may have a tolerance of +/-10%

# JKC-L-150W Integrated Solar LED Floodlight/ Street Light

(Type A: 3 days autonomy / Type B: 2 days autonomy)



## Casing Material

Aluminium Alloy

## Dimming System

12H 100%

## Wire Connector

IP68 Waterproof Connector

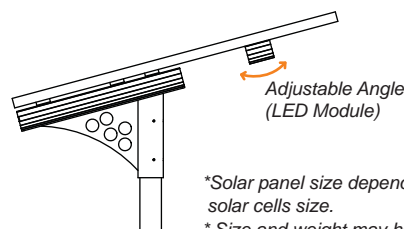
## Packing & Weight

Product Size : 1650\*1350\*125MM (Luminaire)  
 (Type A & Type B) : 601.5\*540\*85.3MM (Bracket)  
 Packing Size : 1730\*1430\*225MM (Luminaire)  
 (Type A & Type B) : 1000\*650\*180MM (Bracket)

## Net Weight

Luminaire : 88KG (Type A) / 85KG (Type B)  
 Bracket : 8.5KG (Type A & Type B)  
 Gross Weight  
 Luminaire : 90.5KG (Type A) / 87.5KG (Type B)  
 Bracket : 9.2KG (Type A & Type B)

## Mounting Bracket Type



\*Solar panel size depends on available solar cells size.

\* Size and weight may have a tolerance of +/-10%

## Solar Panel

Type : Imported High Efficiency Monocrystalline Silicon  
 Max Power : 36V 400W (Type A & Type B)  
 Lifetime : 25 Years

## Battery

Type : LiFePO4 Battery  
 Rating : 25.6V 270AH (Type A)  
 25.6V 180AH (Type B)  
 Lifetime : 5 Years

## LED Lamp

Max Power : 150W  
 LED Chip : Lumileds 5050  
 Chip Quantity : 48 PCS  
 System Efficacy : Typical 132.54 lm/W  
 Total Lumen : Typical 19,947 lm  
 Lifetime : 100,000 Hours

## Ingress Protection

IP66 Optical Compartment

## Charge Time

By Sun : 4.5 Hours

## Discharge Time

3 Cloud / Rainy Days / 36 hours (Type A)  
 2 Cloud / Rainy Days / 24 hours (Type B)

## Working Temperature

Range : -30°C ~ +70°C

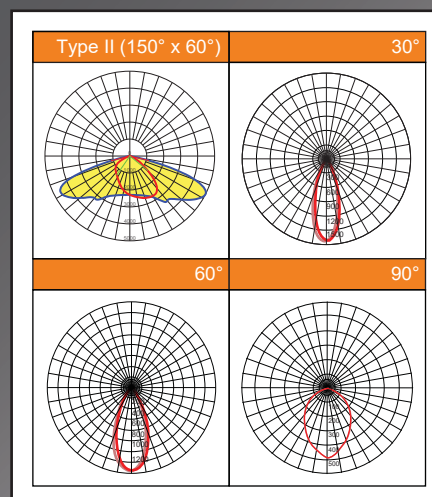
## Colour Temperature

Range : 3000K - 6500K

## Mounting Recommendation

Height : 9 - 12M  
 Distance : 35 - 40M

## Light Distribution Curve



\*Optional for GPRS/Zigbee/L0RaWAN Smart System

\* Size and weight may have a tolerance of +/-10%