

JKC-R-40W Integrated Solar LED Floodlight/ Street Light

(2 days autonomy)



Casing Material

Aluminium Alloy

Dimming System

4H 100% + 2H 60% + 6H 40%

Wire Connector

IP68 Waterproof Connector

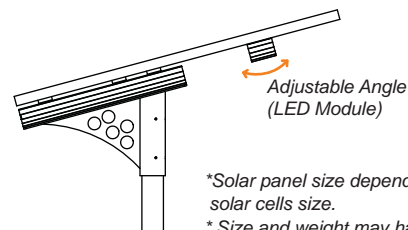
Packing & Weight

Product Size : 975*670*125MM (Luminaire)
 (Type A & Type B) : 846*650*120.5MM (Bracket)
 Packing Size : 1055*750*225MM (Luminaire)
 (Type A & Type B) : 1900*770*170MM (Bracket)

Net Weight

Luminaire : 36.5KG (Type A) / 24.2KG (Type B)
 Bracket : 3.2KG (Type A & Type B)
 Gross Weight
 Luminaire : 39KG (Type A) / 26.7KG (Type B)
 Bracket : 3.9KG (Type A & Type B)

Mounting Bracket Type



Solar Panel

Type : Imported High Efficiency
 Monocrystalline Silicon
 Max Power : 36V 70W (Type B)
 Lifetime : 25 Years

Battery

Type : LiFePO4 Battery
 Rating : 25.6V 30AH
 Lifetime : 5 Years

LED Lamp

Max Power : 40W
 LED Chip : Lumileds 5050
 Chip Quantity : 28 PCS
 System Efficacy : Typical 175.15 lm/W
 Total Lumen : Typical 7,000 lm
 Lifetime : 100,000 Hours

Ingress Protection

IP66 Optical Compartment

Charge Time

By Sun : 4.5 Hours

Discharge Time

2 Cloud / Rainy Days / 24 hours

Working Temperature

Range : -25°C ~ +65°C

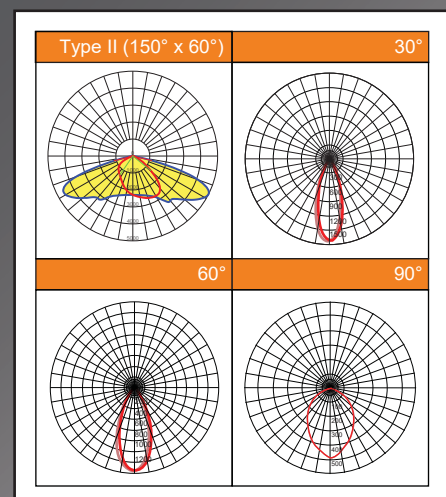
Colour Temperature

Range : 3000K - 6500K

Mounting Recommendation

Height : 4 - 6M
 Distance : 16 - 25M

Light Distribution Curve



*Optional for GPRS/Zigbee/LoRaWAN Smart System

* Size and weight may have a tolerance of +-10%

JKC-R-60W Integrated Solar LED Floodlight/ Street Light

(Type A: 3 days autonomy / Type B: 2 days autonomy)



Solar Panel

Type : Imported High Efficiency Monocrystalline Silicon
 Max Power : 36V 135W (Type A & Type B)
 Lifetime : 25 Years

Battery

Type : LiFePO4 Battery
 Rating : 25.6V 75AH (Type A)
 : 25.6V 60AH (Type B)
 Lifetime : 5 Years

LED Lamp

Max Power : 60W
 LED Chip : Lumileds 5050
 Chip Quantity : 28 PCS
 System Efficacy : Typical 175.15 lm/W
 Total Lumen : Typical 10,505 lm
 Lifetime : 100,000 Hours

Ingress Protection

IP66 Optical Compartment

Charge Time

By Sun : 4.5 Hours

Discharge Time

3 Cloud / Rainy Days / 36 hours (Type A)
 2 Cloud / Rainy Days / 24 hours (Type B)

Working Temperature

Range : -25°C ~ +65°C

Colour Temperature

Range : 3000K - 6500K

Mounting Recommendation

Height : 6 - 8M
 Distance : 23 - 30M

Casing Material

Aluminium Alloy

Dimming System

4H 100% + 2H 60% + 6H 40%

Wire Connector

IP68 Waterproof Connector

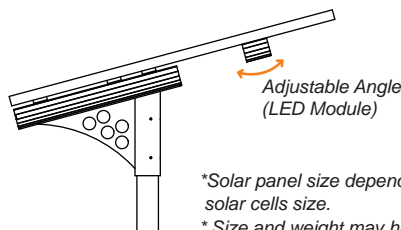
Packing & Weight

Product Size : 1190*670*125MM (Luminaire)
 (Type A & Type B) : 846*650*120.5MM (Bracket)
 Packing Size : 1270*750*225MM (Luminaire)
 (Type A & Type B) : 1900*770*170MM (Bracket)

Net Weight

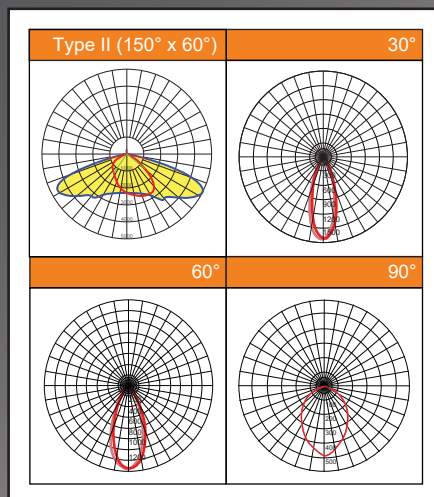
Luminaire : 40KG (Type A) / 36.5KG (Type B)
 Bracket : 3.2KG (Type A & Type B)
 Gross Weight
 Luminaire : 42.5KG (Type A) / 39KG (Type B)
 Bracket : 3.9KG (Type A & Type B)

Mounting Bracket Type



*Solar panel size depends on available solar cells size.
 * Size and weight may have a tolerance of +-10%

Light Distribution Curve



*Optional for GPRS/Zigbee/L0RaWAN Smart System

* Size and weight may have a tolerance of +-10%

JKC-R-80W Integrated Solar LED Floodlight/ Street Light

(Type A: 3 days autonomy / Type B: 2 days autonomy)



Casing Material

Aluminium Alloy

Dimming System

4H 100% + 2H 60% + 6H 40%

Wire Connector

IP68 Waterproof Connector

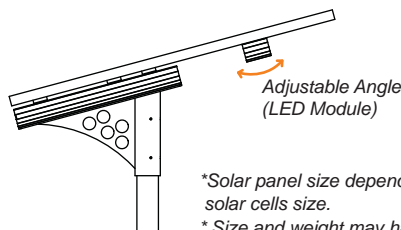
Packing & Weight

Product Size : 1190*670*125MM (Luminaire)
 (Type A & Type B) : 846*650*120.5MM (Bracket)
 Packing Size : 1270*750*225MM (Luminaire)
 (Type A & Type B) : 1900*770*170MM (Bracket)

Net Weight

Luminaire : 60.5KG (Type A) / 37.7KG (Type B)
 Bracket : 4.2KG (Type A & Type B)
 Gross Weight
 Luminaire : 63KG (Type A) / 40.2KG (Type B)
 Bracket : 4.9KG (Type A & Type B)

Mounting Bracket Type



*Solar panel size depends on available solar cells size.
 * Size and weight may have a tolerance of +-10%

Solar Panel

Type : Imported High Efficiency Monocrystalline Silicon
 Max Power : 36V 135W (Type A & Type B)
 Lifetime : 25 Years

Battery

Type : LiFePO4 Battery
 Rating : 25.6V 90AH (Type A)
 25.6V 60AH (Type B)
 Lifetime : 5 Years

LED Lamp

Max Power : 80W
 LED Chip : Lumileds 5050
 Chip Quantity : 56 PCS
 System Efficacy : Typical 185.62 lm/W
 Total Lumen : Typical 14,850 lm
 Lifetime : 100,000 Hours

Ingress Protection

IP66 Optical Compartment

Charge Time

By Sun : 4.5 Hours

Discharge Time

3 Cloud / Rainy Days / 36 hours (Type A)
 2 Cloud / Rainy Days / 24 hours (Type B)

Working Temperature

Range : -25°C ~ +65°C

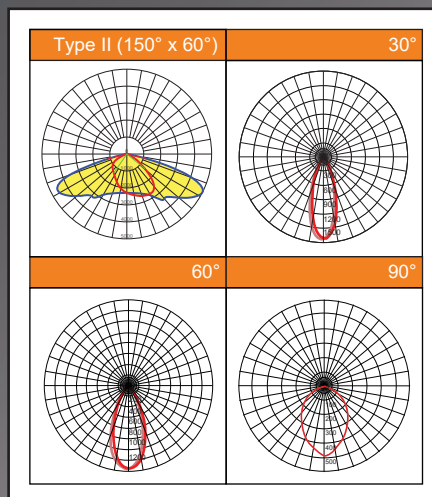
Colour Temperature

Range : 3000K - 6500K

Mounting Recommendation

Height : 8 - 10M
 Distance : 23 - 30M

Light Distribution Curve



*Optional for GPRS/Zigbee/L0RaWAN Smart System

* Size and weight may have a tolerance of +-10%

JKC-R-100W Integrated Solar LED Floodlight/ Street Light

(Type A: 3 days autonomy / Type B: 2 days autonomy)



Solar Panel

Type : Imported High Efficiency Monocrystalline Silicon
 Max Power : 36V 210W (Type A & Type B)
 Lifetime : 25 Years

Battery

Type : LiFePO4 Battery
 Rating : 25.6V 120AH (Type A)
 : 25.6V 90AH (Type B)
 Lifetime : 5 Years

LED Lamp

Max Power : 100W
 LED Chip : Lumileds 5050
 Chip Quantity : 48 PCS
 System Efficacy : Typical 146.76 lm/W
 Total Lumen : Typical 14,735 lm
 Lifetime : 100,000 Hours

Ingress Protection

IP66 Optical Compartment

Charge Time

By Sun : 4.5 Hours

Discharge Time

3 Cloud / Rainy Days / 36 hours (Type A)
 2 Cloud / Rainy Days / 24 hours (Type B)

Working Temperature

Range : -25°C ~ +65°C

Colour Temperature

Range : 3000K - 6500K

Mounting Recommendation

Height : 9 - 12M
 Distance : 23 - 34M

Casing Material

Aluminium Alloy

Dimming System

4H 100% + 2H 60% + 6H 40%

Wire Connector

IP68 Waterproof Connector

Packing & Weight

Product Size : 1650*680*125MM (Luminaire)
 (Type A & Type B) : 846*650*120.5MM (Bracket)
 Packing Size : 1730*760*225MM (Luminaire)
 (Type A & Type B) : 1900*770*170MM (Bracket)

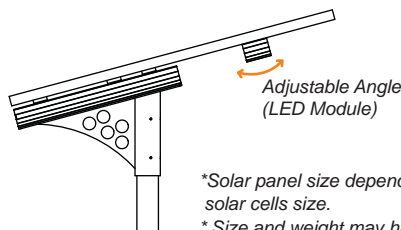
Net Weight

Luminaire : 68KG (Type A) / 40KG (Type B)
 Bracket : 4.2KG (Type A & Type B)

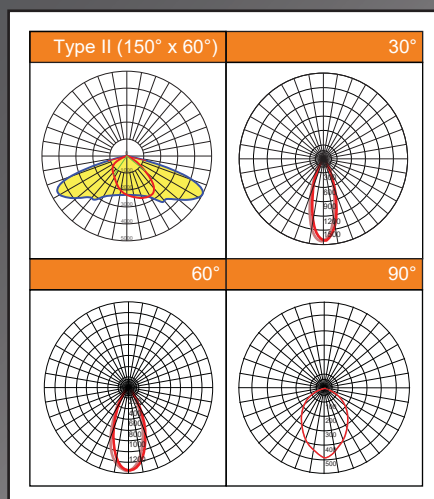
Gross Weight

Luminaire : 70.5KG (Type A) / 42.5KG (Type B)
 Bracket : 4.9KG (Type A & Type B)

Mounting Bracket Type



Light Distribution Curve



*Optional for GPRS/Zigbee/L0RaWAN Smart System

* Size and weight may have a tolerance of +-10%

JKC-R-120W Integrated Solar LED Floodlight/ Street Light

(Type A: 3 days autonomy / Type B: 2 days autonomy)



Solar Panel

Type : Imported High Efficiency Monocrystalline Silicon
 Max Power : 36V 210W (Type A & Type B)
 Lifetime : 25 Years

Battery

Type : LiFePO4 Battery
 Rating : 25.6V 135AH (Type A)
 25.6V 90AH (Type B)
 Lifetime : 5 Years

LED Lamp

Max Power : 120W
 LED Chip : Lumileds 5050
 Chip Quantity : 48 PCS
 System Efficacy : Typical 141.05 lm/W
 Total Lumen : Typical 16,968 lm
 Lifetime : 100,000 Hours

Ingress Protection

IP66 Optical Compartment

Charge Time

By Sun : 4.5 Hours

Discharge Time

3 Cloud / Rainy Days / 36 hours (Type A)
 2 Cloud / Rainy Days / 24 hours (Type B)

Working Temperature

Range : -30°C ~ +70°C

Colour Temperature

Range : 3000K - 6500K

Mounting Recommendation

Height : 9 - 12M
 Distance : 30 - 38M

Casing Material

Aluminium Alloy

Dimming System

4H 100% + 2H 60% + 6H 40%

Wire Connector

IP68 Waterproof Connector

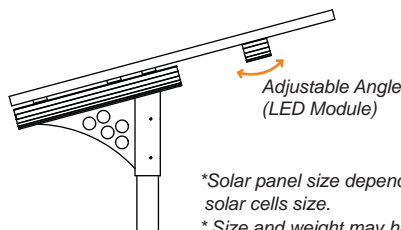
Packing & Weight

Product Size : 1650*680*125MM (Luminaire)
 (Type A & Type B) : 846*650*120.5MM (Bracket)
 Packing Size : 1730*760*225MM (Luminaire)
 (Type A & Type B) : 1900*770*170MM (Bracket)

Net Weight

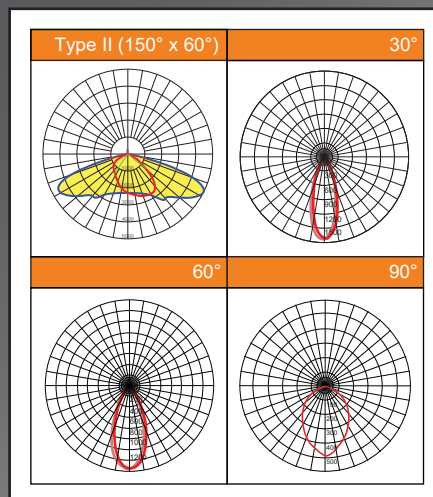
Luminaire : 72KG (Type A) / 63.5KG (Type B)
 Bracket : 6KG (Type A & Type B)
 Gross Weight
 Luminaire : 74.5KG (Type A) / 66KG (Type B)
 Bracket : 6.7KG (Type A & Type B)

Mounting Bracket Type



*Solar panel size depends on available solar cells size.
 * Size and weight may have a tolerance of +-10%

Light Distribution Curve



*Optional for GPRS/Zigbee/L0RaWAN Smart System

* Size and weight may have a tolerance of +-10%

JKC-R-150W Integrated Solar LED Floodlight/ Street Light

(Type A: 3 days autonomy / Type B: 2 days autonomy)



Casing Material

Aluminium Alloy

Dimming System

4H 100% + 2H 60% + 6H 40%

Wire Connector

IP68 Waterproof Connector

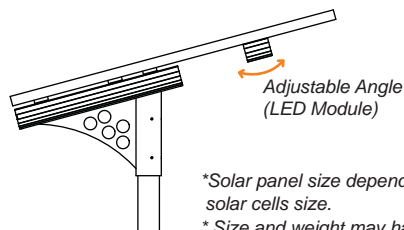
Packing & Weight

Product Size : 1650*990*125MM (Luminaire)
 (Type A & Type B) : 846*650*120.5MM (Bracket)
 Packing Size : 1730*1070*225MM (Luminaire)
 (Type A & Type B) : 1900*770*170MM (Bracket)

Net Weight

Luminaire : 81.5KG (Type A) / 68KG (Type B)
 Bracket : 6KG (Type A & Type B)
 Gross Weight
 Luminaire : 84KG (Type A) / 70.5KG (Type B)
 Bracket : 6.7KG (Type A & Type B)

Mounting Bracket Type



Solar Panel

Type : Imported High Efficiency Monocrystalline Silicon
 Max Power : 36V 310W (Type A & Type B)
 Lifetime : 25 Years

Battery

Type : LiFePO4 Battery
 Rating : 25.6V 180AH (Type A)
 25.6V 120AH (Type B)
 Lifetime : 5 Years

LED Lamp

Max Power : 150W
 LED Chip : Lumileds 5050
 Chip Quantity : 48 PCS
 System Efficacy : Typical 133.42 lm/W
 Total Lumen : Typical 20,053 lm
 Lifetime : 100,000 Hours

Ingress Protection

IP66 Optical Compartment

Charge Time

By Sun : 4.5 Hours

Discharge Time

3 Cloud / Rainy Days / 36 hours (Type A)
 2 Cloud / Rainy Days / 24 hours (Type B)

Working Temperature

Range : -30°C ~ +70°C

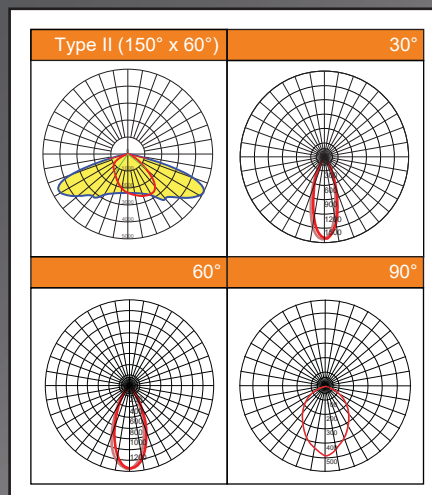
Colour Temperature

Range : 3000K - 6500K

Mounting Recommendation

Height : 9 - 12M
 Distance : 35 - 40M

Light Distribution Curve



*Optional for GPRS/Zigbee/L0RaWAN Smart System

* Size and weight may have a tolerance of +-10%