



SINCE 1993

2026-2027 INTELLIGENT POLE

Smart Poles & Masts for Urban Transformation



www.oversealighting.com

STREET LIGHTING POLE

Octagonal Pole | Spigot Arm

1



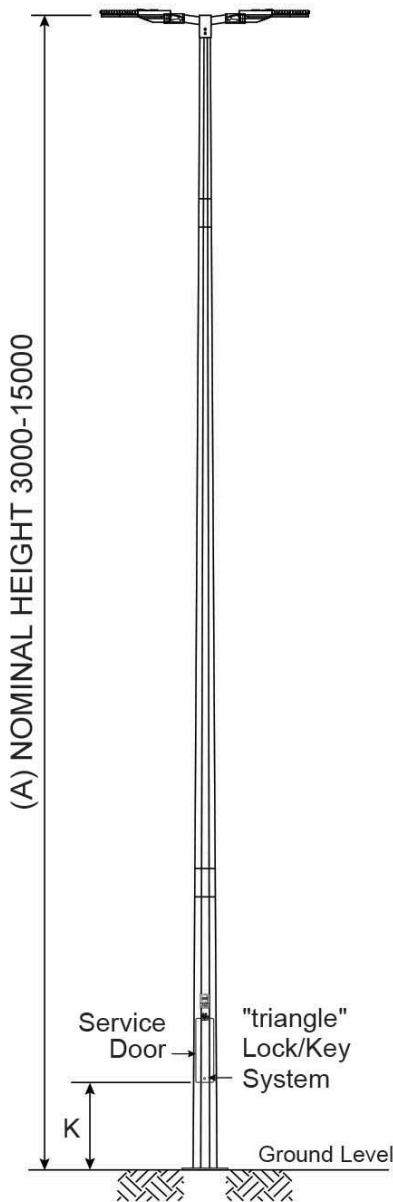
► DUKE 3 Setiawangsa-Pantai Expressway.

Application

Main roads, residential areas, commercial zones, parking lots, pathways, and other public spaces.

STREET LIGHTING POLE

Octagonal Pole / Spigot Arm / Flange Mounted Type



Single (Short Arm)	Double (Short Arm)
Spigot Size Available ø33, ø42, ø48, ø60	Spigot Size Available ø33, ø42, ø48, ø60

J-Bolt	Flange Plate x (F) Thk.

OLE 'Triangle' Lock/Key System	Service Door (Detail)

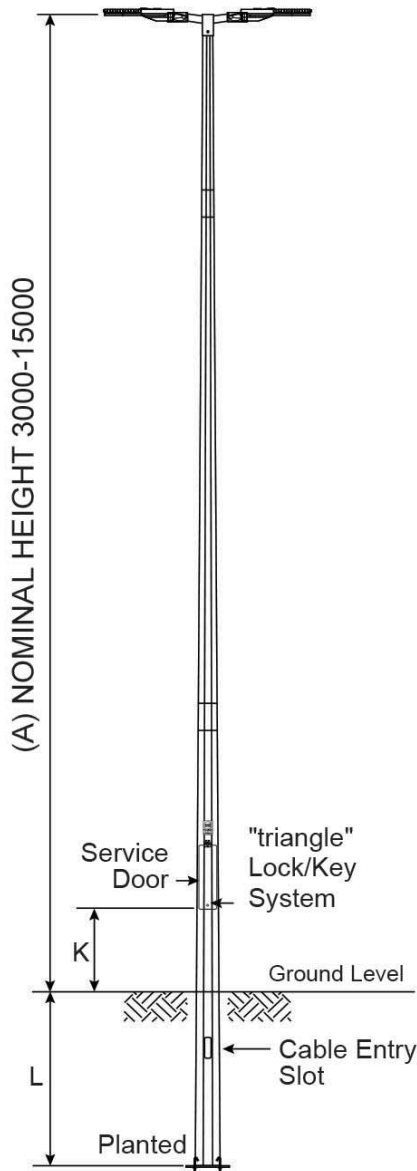
Service Door	Service Door (Side view)

2 or 3 Section Column based on Height

Height	Service Door		Flange Plate		I/J-Bolt	Grd. Lvl. to Service Door	
	A	B	C	D x E x (F) THK.	G x H	J	K
Meter	MM	MM	MM	MM	MM	MM	MM
3/4	350	90	250x195x9	20x45	ø16x280 (L)	305	
5	450	90	300x220x9	20x45	ø16x280 (L)	305	
6	450	90	300x220x9	25x50	ø20x450 (L)	305	
7	450	90	300x220x9	25x50	ø20x450 (L)	305	
8	450	90	300x220x12	25x50	ø20x450 (L)	305	
9	450	100	300x220x12	25x50	ø20x450 (L)	500 (1800 Optional)	
10	450	100	350x260x16	30x55	ø24x570 (L)	500 (1800/2000 Optional)	
11	450	120	400x300x16	30x55	ø24x570 (L)	500 (1800/2000 Optional)	
12	450	120	400x300x16	30x55	ø24x570 (L)	500 (1800/2000 Optional)	
15	450	130	400x300x16	30x55	ø24x570 (L)	500 (1800/2000 Optional)	

STREET LIGHTING POLE

Octagonal Pole / Spigot Arm / Planted Type



Single (Short Arm)	Double (Short Arm)
Spigot Size Available $\phi 33, \phi 42, \phi 48, \phi 60$	Spigot Size Available $\phi 33, \phi 42, \phi 48, \phi 60$

OLE 'Triangle' Lock/Key System	Hook Bolt

Service Door (Detail)	Service Door (Side view)

Hook Bolt	Anti Sinking Plate

2 or 3 Section Column based on Height

Height	Service Door		Grd. Lvl. to Service Door	Planting Depth
	B	C	K	L
Meter	MM	MM	MM	MM
3/4	350	90	305	600
5	450	90	305	600
6	450	90	305	1100
7	450	90	305	1200
8	450	90	305	1300
9	450	100	500 (1800 Optional)	1400
10	450	100	500 (1800/2000 Optional)	1500
11	450	120	500 (1800/2000 Optional)	1600
12	450	120	500 (1800/2000 Optional)	1700
15	450	130	500 (1800/2000 Optional)	2000



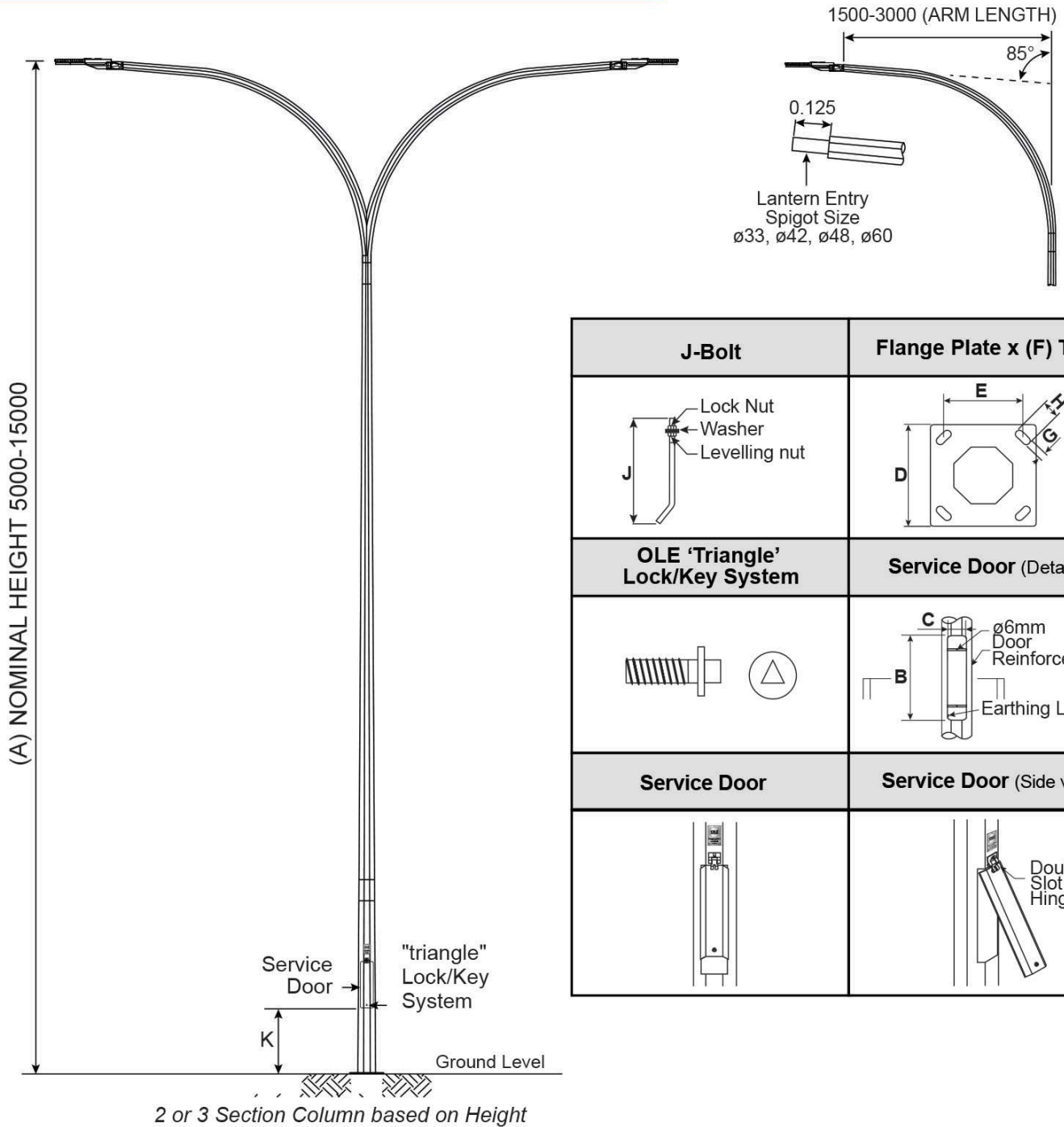
➤ Pengerang, Johor.

Application

Main roads, residential areas, commercial zones, parking lots, pathways, and other public spaces.

STREET LIGHTING POLE

Octagonal Pole / Curve Arm / Flange Mounted Type

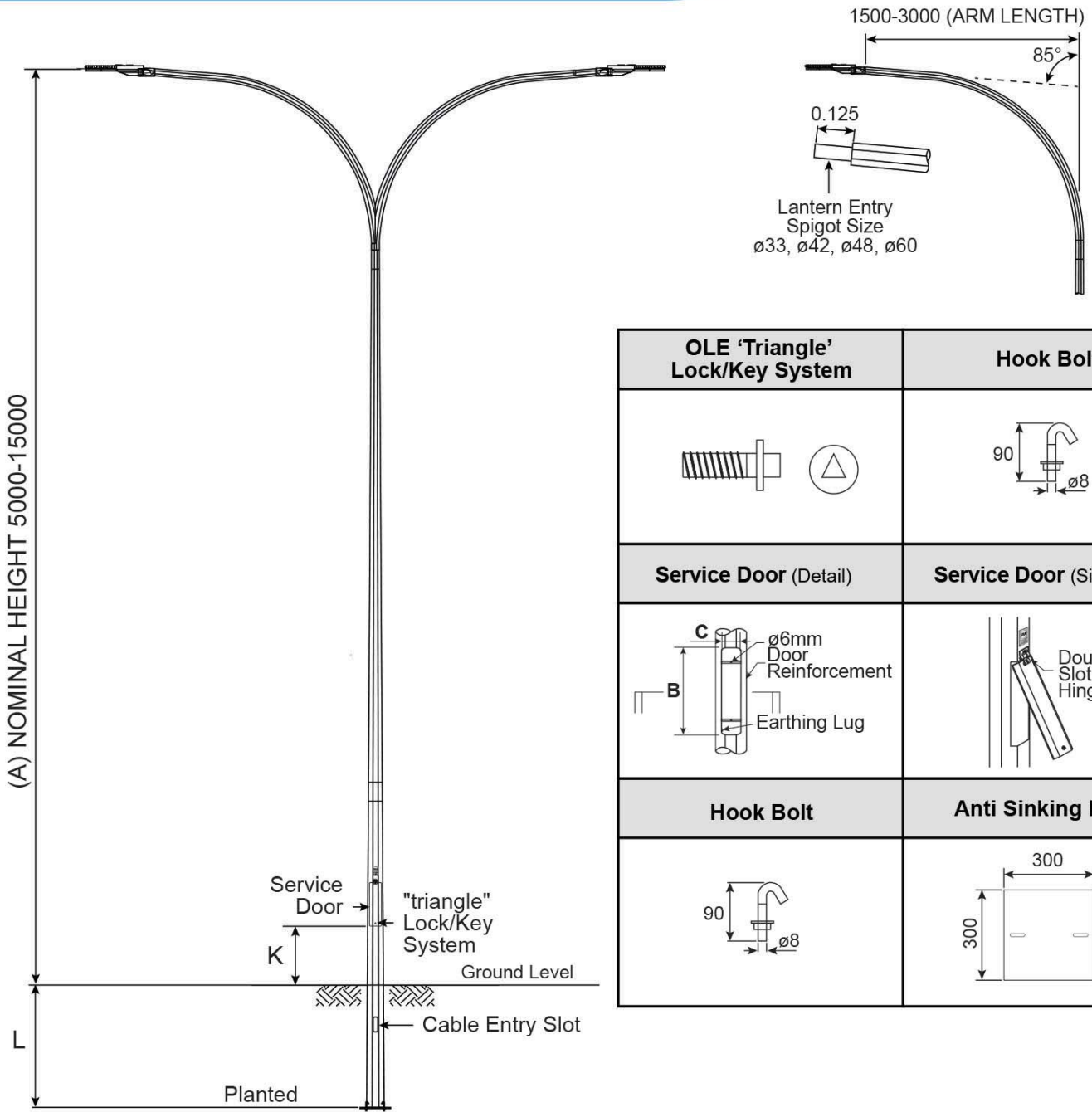


J-Bolt	Flange Plate x (F) Thk.
OLE 'Triangle' Lock/Key System	Service Door (Detail)
Service Door	Service Door (Side view)

Height	Service Door		Flange Plate		I/J-Bolt	Grd. Lvl. to Service Door	
	A	B	C	D x E x (F) THK.	G x H	J	K
Meter	MM	MM	MM	MM	MM	MM	MM
6	450	90	300x220x9	25x50	ø20x450 (L)	305	
7	450	90	300x220x9	25x50	ø20x450 (L)	305	
8	450	90	300x220x12	25x50	ø20x450 (L)	305	
9	450	100	300x220x12	25x50	ø20x450 (L)	500 (1800 Optional)	
10	450	100	350x260x16	30x55	ø24x570 (L)	500 (1800/2000 Optional)	
11	450	120	400x300x16	30x55	ø24x570 (L)	500 (1800/2000 Optional)	
12	450	120	400x300x16	30x55	ø24x570 (L)	500 (1800/2000 Optional)	
15	450	130	400x300x16	30x55	ø24x570 (L)	500 (1800/2000 Optional)	

STREET LIGHTING POLE

Octagonal Pole / Curve Arm / Planted Type



2 or 3 Section Column based on Height

Height	Service Door		Grd. Lvl. to Service Door	Planting Depth
A	B	C	K	L
Meter	MM	MM	MM	MM
6	450	90	305	1100
7	450	90	305	1200
8	450	90	305	1300
9	450	100	500 (1800 Optional)	1400
10	450	100	500 (1800/2000 Optional)	1500
11	450	120	500 (1800/2000 Optional)	1600
12	450	120	500 (1800/2000 Optional)	1700
15	450	130	500 (1800/2000 Optional)	2000



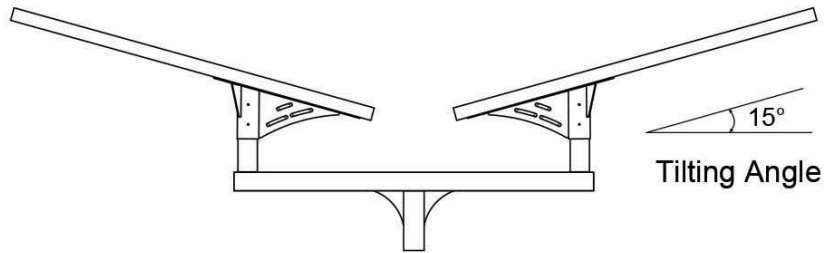
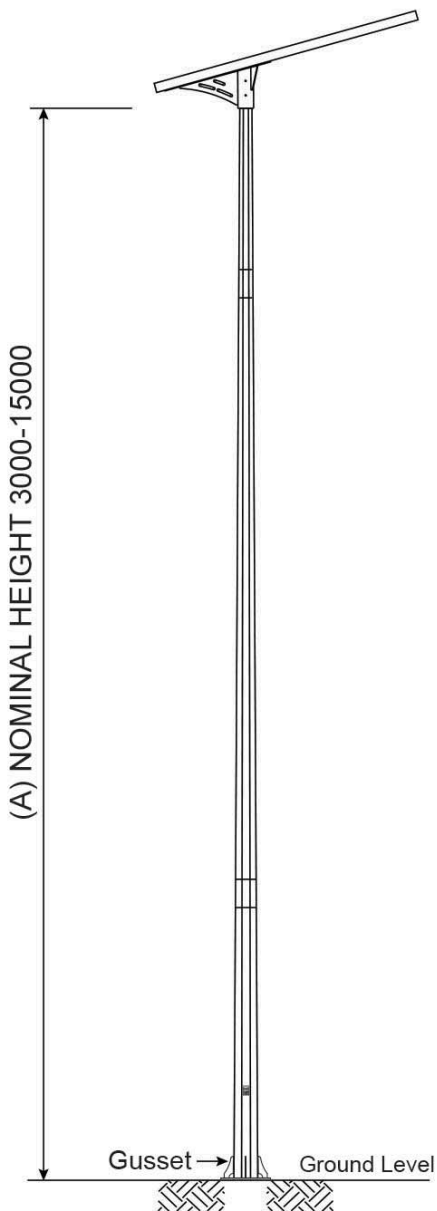
► Kota Emerald, Rawang, Selangor.

Application

Main roads, residential areas, commercial zones, parking lots, pathways, and other public spaces.

SOLAR STREET LIGHTING POLE

Solar Octagonal Pole | Post Top | Flange Type



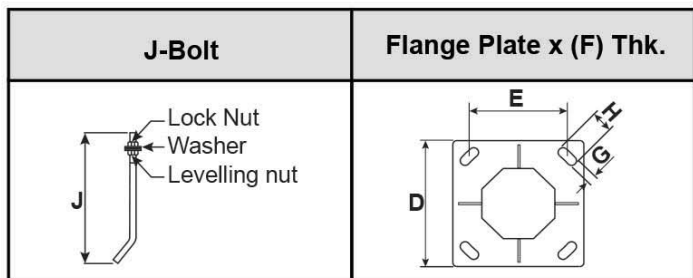
DOUBLE POST TOP

Structural Design Statement

Our poles are specially engineered to withstand the additional weight and increased wind sail area caused by integrated solar lantern systems. To ensure structural integrity, we utilize 2.5mm and 3.0mm thick steel plates for the pole body, with heights ranging from 7m to 12m (double arm).

The flange base and anti-sinking plate are customized in size and thickness based on the pole height and project requirements.

For detailed specifications or custom configurations, please contact our team of specialists.

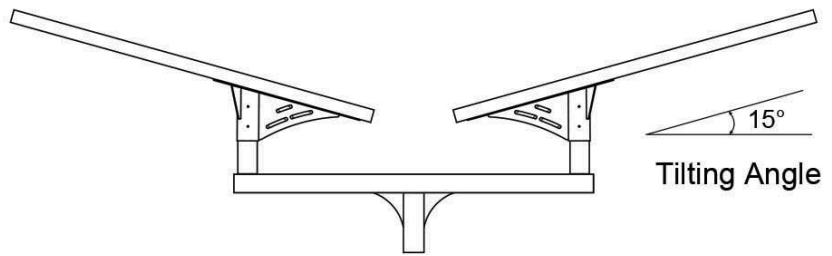
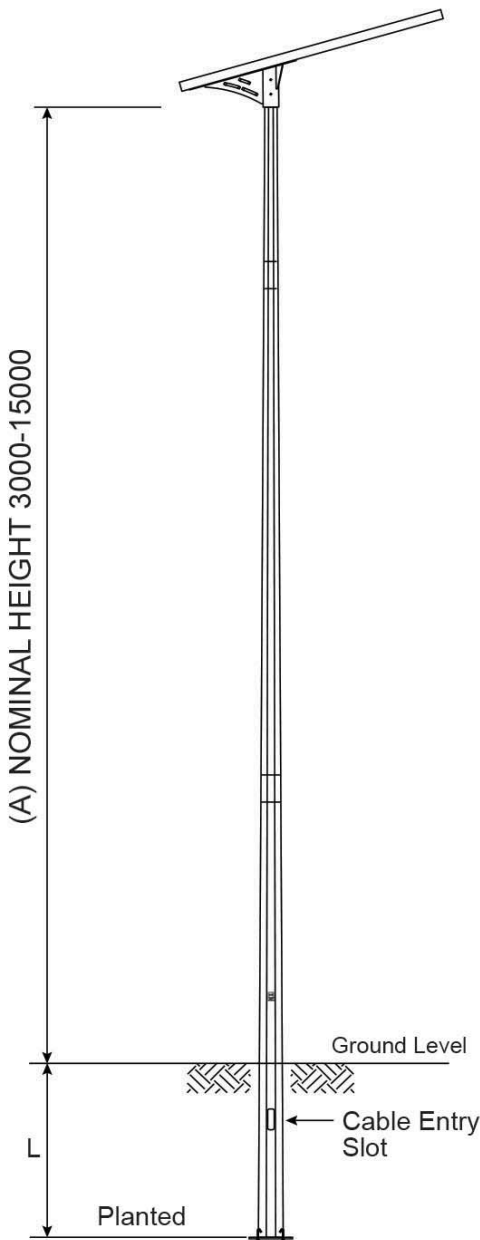


2 or 3 Section Column based on Height

Height	Service Door		Flange Plate		I/J-Bolt	Grd. Lvl. to Service Door	
	A	B	C	D x E x (F) THK.	G x H	J	K
Meter	MM	MM	MM	MM	MM	MM	MM
3/4	350	90	250x195x9	20x45	∅16x280 (L)	305	
5	450	90	300x220x9	20x45	∅16x280 (L)	305	
6	450	90	300x220x9	25x50	∅20x450 (L)	305	
7	450	90	300x220x9	25x50	∅20x450 (L)	305	
8	450	90	300x220x12	25x50	∅20x450 (L)	305	
9	450	100	300x220x12	25x50	∅20x450 (L)	500 (1800 Optional)	
10	450	100	350x260x16	30x55	∅24x570 (L)	500 (1800/2000 Optional)	
11	450	120	400x300x16	30x55	∅24x570 (L)	500 (1800/2000 Optional)	
12	450	120	400x300x16	30x55	∅24x570 (L)	500 (1800/2000 Optional)	
15	450	130	400x300x16	30x55	∅24x570 (L)	500 (1800/2000 Optional)	

SOLAR STREET LIGHTING POLE

Solar Octagonal Pole | Post Top | Planted Type



DOUBLE POST TOP

Structural Design Statement

Our poles are specially engineered to withstand the additional weight and increased wind sail area caused by integrated solar lantern systems. To ensure structural integrity, we utilize 2.5mm and 3.0mm thick steel plates for the pole body, with heights ranging from 7m to 12m (double arm).

The flange base and anti-sinking plate are customized in size and thickness based on the pole height and project requirements.

For detailed specifications or custom configurations, please contact our team of specialists.

Hook Bolt	Anti Sinking Plate

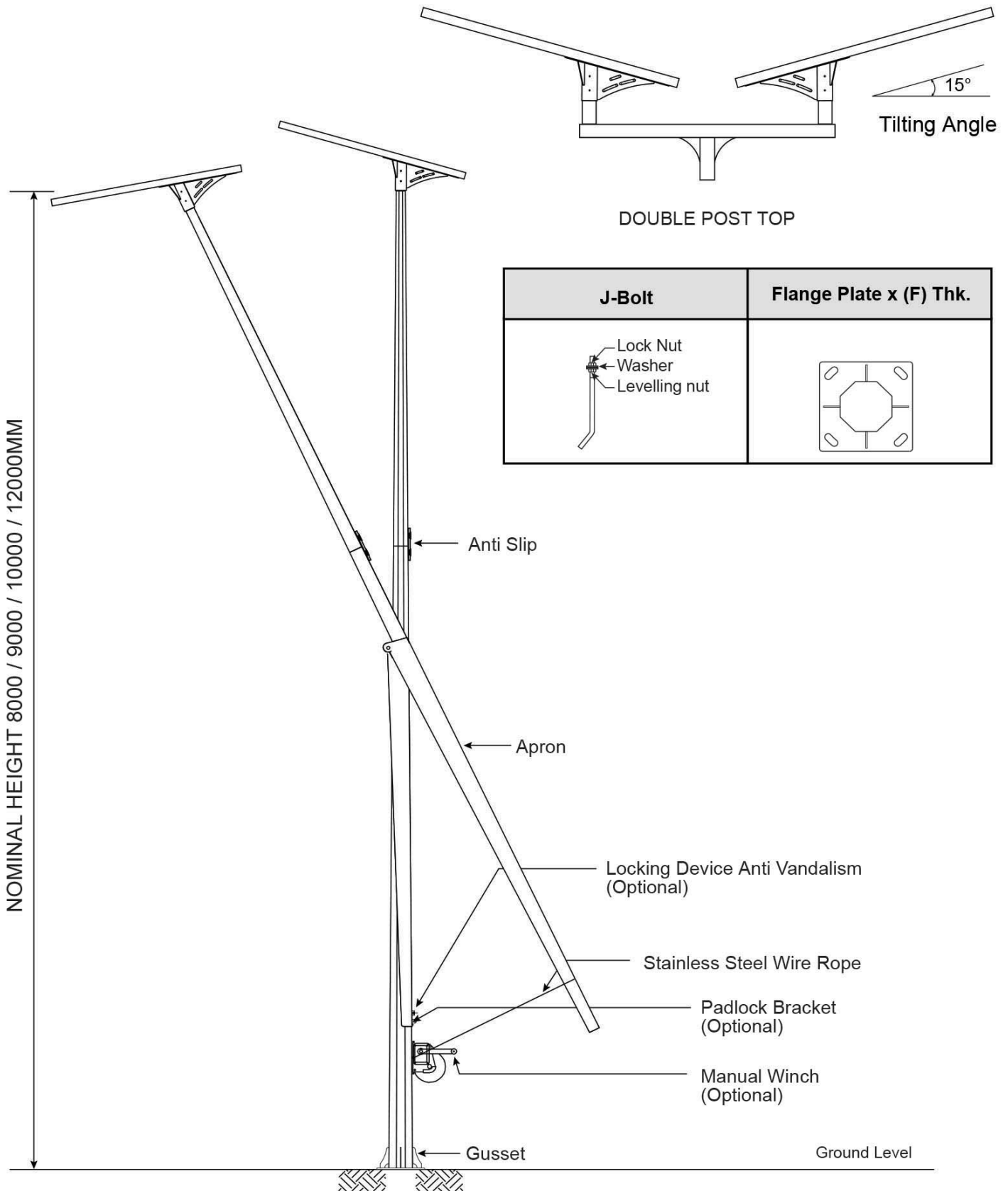
2 or 3 Section Column based on Height

Height	Service Door		Grd. Lvl. to Service Door	Planting Depth
A	B	C	K	L
Meter	MM	MM	MM	MM
3/4	350	90	305	600
5	450	90	305	600
6	450	90	305	1100
7	450	90	305	1200
8	450	90	305	1300
9	450	100	500 (1800 Optional)	1400
10	450	100	500 (1800/2000 Optional)	1500
11	450	120	500 (1800/2000 Optional)	1600
12	450	120	500 (1800/2000 Optional)	1700
15	450	130	500 (1800/2000 Optional)	2000

SOLAR STREET LIGHTING POLE

Solar Mid-Hinged Pole | Post Top | Flange Type

Max Top Load Weight Option: 20-30kg / 30-40kg / 40-60kg / 60-80kg



Note: Load capacity depends on pole height, arm configuration, and wind load considerations. Please consult our engineering team for project-specific recommendations.



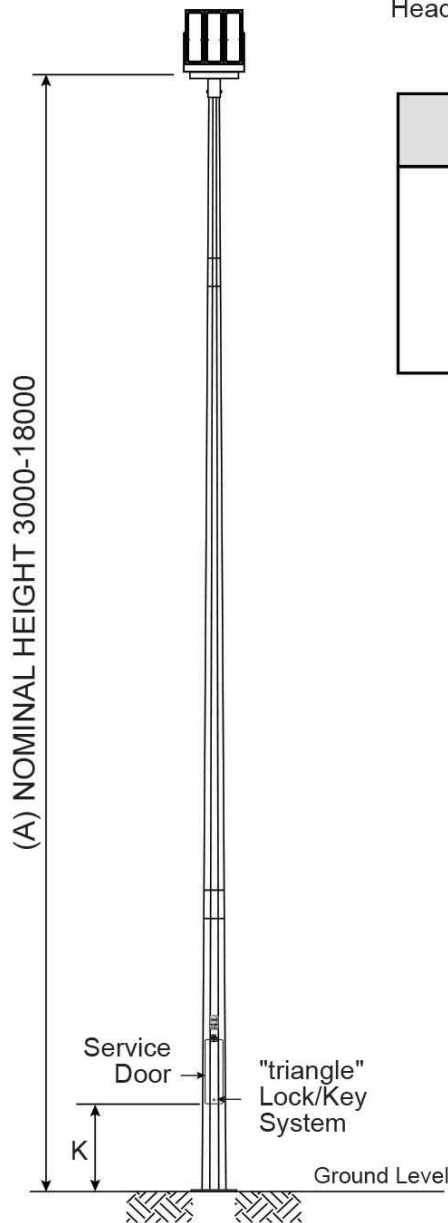
➤ Jalan Sri Pelangi, Johor.

Application

Main roads, residential and subsidiary areas, commercial developments, parking lots, pathways, and various other urban and open-space environments.

FLOODLIGHT POLE

Octagonal Pole | Floodlight Mounting | Flange Type



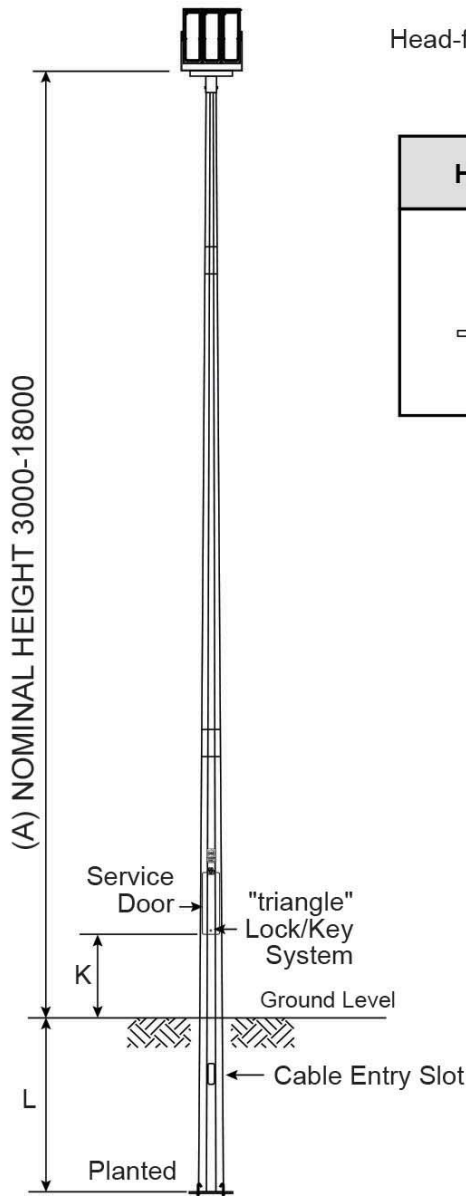
2 or 3 Section Column based on Height

Head-frame brackets can be customized to suit different functional requirements, ensuring flexibility for multiple lighting or equipment configurations.

HF - 1	HF - 2	HF - 3	HF4	Round HF

<p>J-Bolt</p>	<p>Flange Plate x (F) Thk.</p>
<p>OLE 'Triangle' Lock/Key System</p>	<p>Service Door (Detail)</p>
<p>Service Door</p>	<p>Service Door (Side view)</p>

Height	Service Door		Flange Plate		I/J-Bolt	Grd. Lvl. to Service Door	
	A	B	C	D x E x (F) THK.	G x H	J	K
Meter	MM	MM	MM	MM	MM	MM	MM
3/4	350	90	250x195x9	20x45	ø16x280 (L)	305	
5	450	90	300x220x9	20x45	ø16x280 (L)	305	
6	450	90	300x220x9	25x50	ø20x450 (L)	305	
7	450	90	300x220x9	25x50	ø20x450 (L)	305	
8	450	90	300x220x12	25x50	ø20x450 (L)	305	
9	450	100	300x220x12	25x50	ø20x450 (L)	500 (1800 Optional)	
10	450	100	350x260x16	30x55	ø24x570 (L)	500 (1800/2000 Optional)	
12	450	120	400x300x16	30x55	ø24x570 (L)	500 (1800/2000 Optional)	



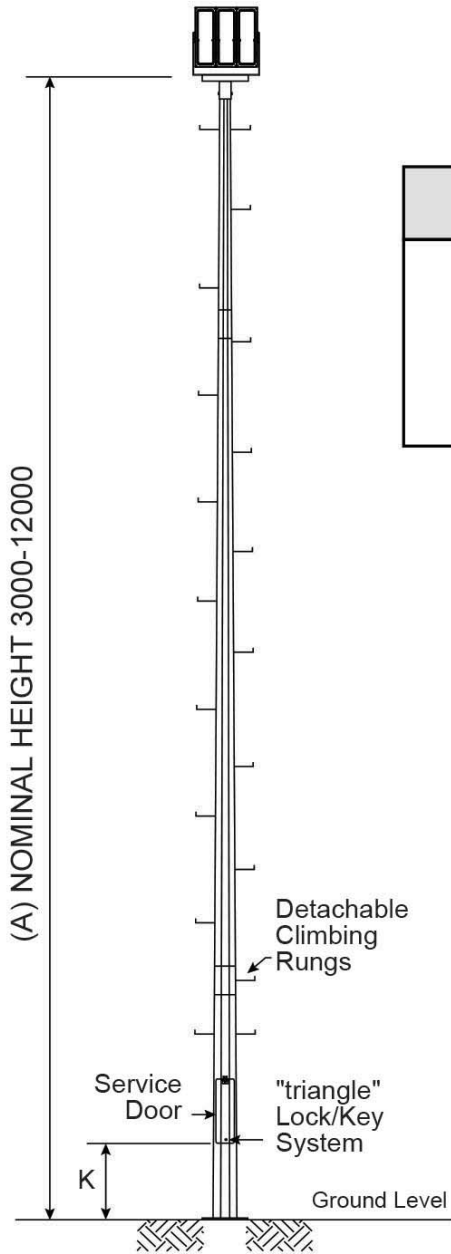
2 or 3 Section Column based on Height

Head-frame brackets can be customized to suit different functional requirements, ensuring flexibility for multiple lighting or equipment configurations.

HF - 1	HF - 2	HF - 3	HF4	Round HF

OLE 'Triangle' Lock/Key System	Hook Bolt
Service Door (Detail)	Service Door (Side view)
Hook Bolt	Anti Sinking Plate

Height	Service Door		Grd. Lvl. to Service Door	Planting Depth
	A	B	C	K
Meter	MM	MM	MM	MM
3/4	350	90	305	600
5	450	90	305	600
6	450	90	305	1100
7	450	90	305	1200
8	450	90	305	1300
9	450	100	500 (1800 Optional)	1400
10	450	100	500 (1800/2000 Optional)	1500
12	450	120	500 (1800/2000 Optional)	1700

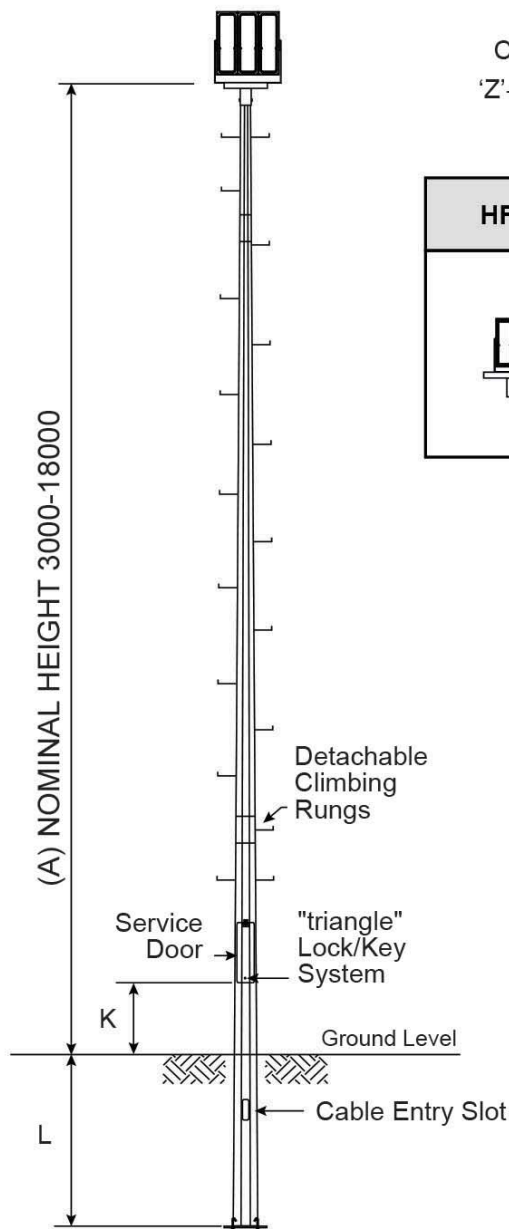


Climbing rungs column is equipped with either detachable or welded 'Z'-shaped climbing brackets, allowing maintenance access without the need for lifting equipment.

HF - 1	HF - 2	HF - 3	HF4	Round HF

J-Bolt 	Flange Plate x (F) Thk.
OLE 'Triangle' Lock/Key System 	Service Door (Detail)
Service Door 	Service Door (Side view)

Height	Service Door		Flange Plate		I/J-Bolt	Grd. Lvl. to Service Door	
	A	B	C	D x E x (F) THK.	G x H	J	K
Meter	MM	MM	MM	MM	MM	MM	MM
3/4	450	90	300x220x9	20x45	ø16x280 (L)	305	
5	450	90	300x220x9	25x50	ø20x450 (L)	305	
6	450	90	300x220x9	25x50	ø20x450 (L)	305	
7	450	90	300x220x12	25x50	ø20x450 (L)	305	
8	450	100	300x220x12	25x50	ø20x450 (L)	500 (1800 Optional)	
9	450	100	350x260x16	30x55	ø24x570 (L)	500 (1800/2000 Optional)	
10	450	120	400x300x16	30x55	ø24x570 (L)	500 (1800/2000 Optional)	
12	450	120	400x300x16	30x55	ø24x570 (L)	500 (1800/2000 Optional)	



2 or 3 Section Column based on Height

Climbing rungs column is equipped with either detachable or welded 'Z'-shaped climbing brackets, allowing maintenance access without the need for lifting equipment.

HF - 1	HF - 2	HF - 3	HF4	Round HF

OLE 'Triangle' Lock/Key System	Hook Bolt
Service Door (Detail)	Service Door (Side view)
Hook Bolt	Anti Sinking Plate

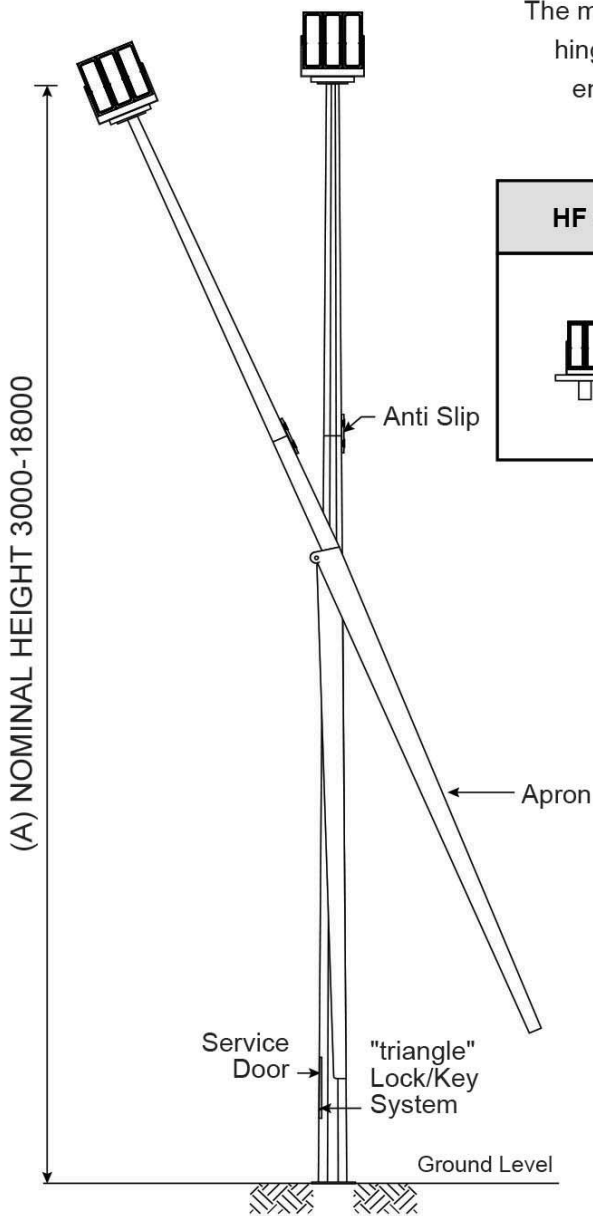
Height	Service Door		Grd. Lvl. to Service Door	Planting Depth	
	A	B	C	K	L
Meter	MM	MM		MM	MM
3/4	450	90		305	1000
5	450	90		305	1100
6	450	90		305	1200
7	450	90		305	1300
8	450	100		500 (1800 Optional)	1400
9	450	100		500 (1800/2000 Optional)	1500
10	450	120		500 (1800/2000 Optional)	1700
12	450	120		500 (1800/2000 Optional)	1700



➤ Shah Alam, Selangor.

Application

Sports courts, residential areas, commercial developments, pathways, and other outdoor environments.



The mid-hinged column, also known as a see-saw pole, is equipped with a hinged mechanism that allows the pole to be lowered to ground level, enabling safe and efficient maintenance without the need for lifting equipment.

HF - 1	HF - 2	HF - 3	HF4	Round HF

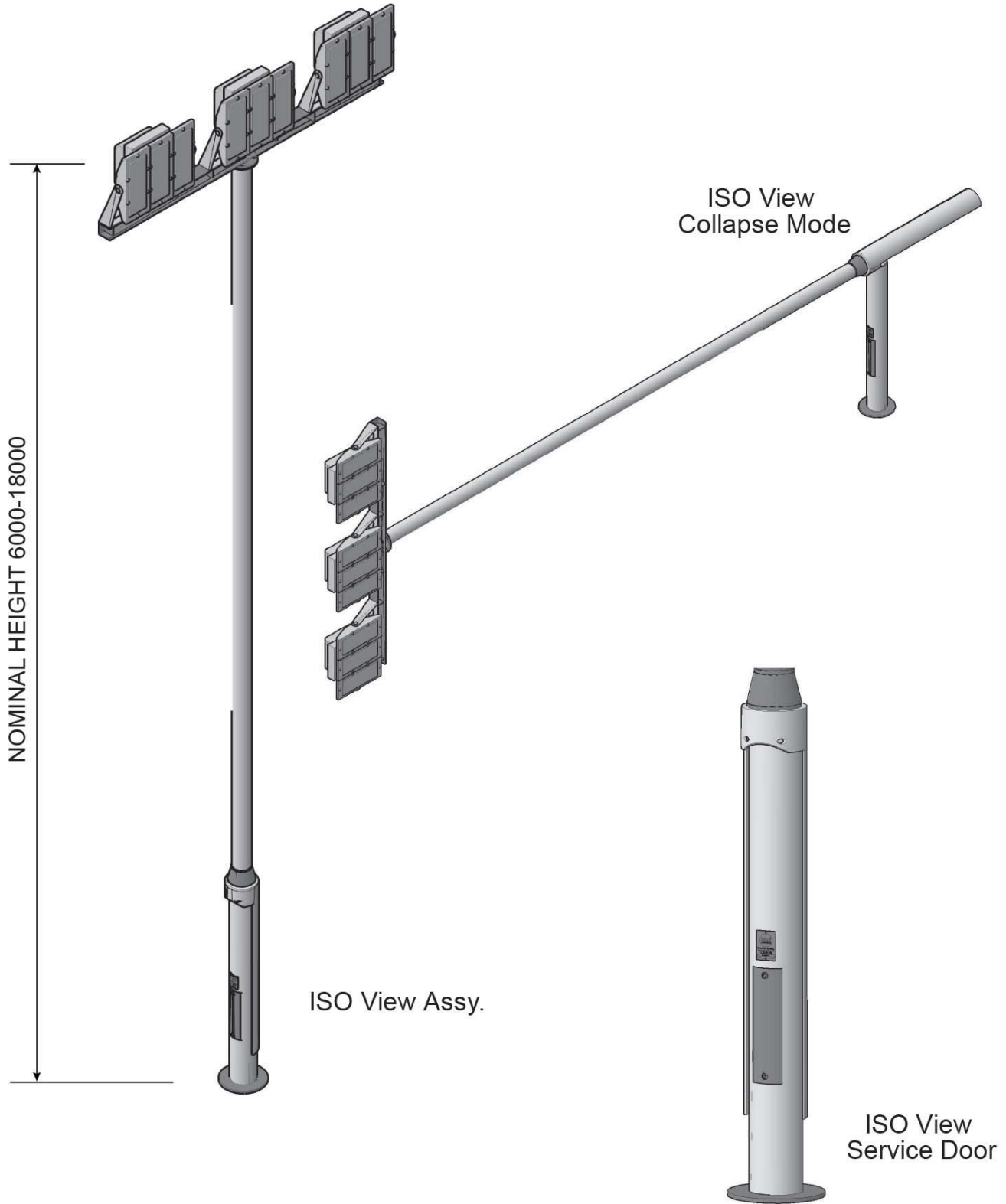
J-Bolt 	Flange Plate x (F) Thk.
OLE 'Triangle' Lock/Key System 	Service Door (Detail)
Service Door 	Service Door (Side view)

Height	Flange Plate		J-Bolt
	D x E x (F) THK.	G x H	J
Meter	MM	MM	MM
3/4	250x195x9	20x45	ø16x280 (L)
5	300x220x9	20x45	ø16x280 (L)
6	300x220x9	25x50	ø20x450 (L)
7	300x220x9	25x50	ø20x450 (L)
8	300x220x12	25x50	ø20x450 (L)
9	300x220x12	25x50	ø20x450 (L)
10	350x260x16	30x55	ø24x570 (L)
12	400x300x16	30x55	ø24x570 (L)

FLOODLIGHT POLE

Circular Hollow Hinged Column Pole | Floodlight Mounting

A circular mid-hinged column designed for easy maintenance access, allowing the pole to be lowered safely without the use of lifting equipment. Suitable for floodlight or area lighting applications in various outdoor environments.





► Tropicana Grande, Selangor.

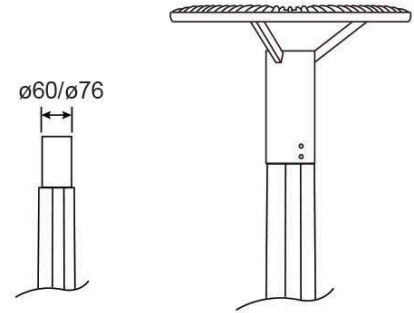
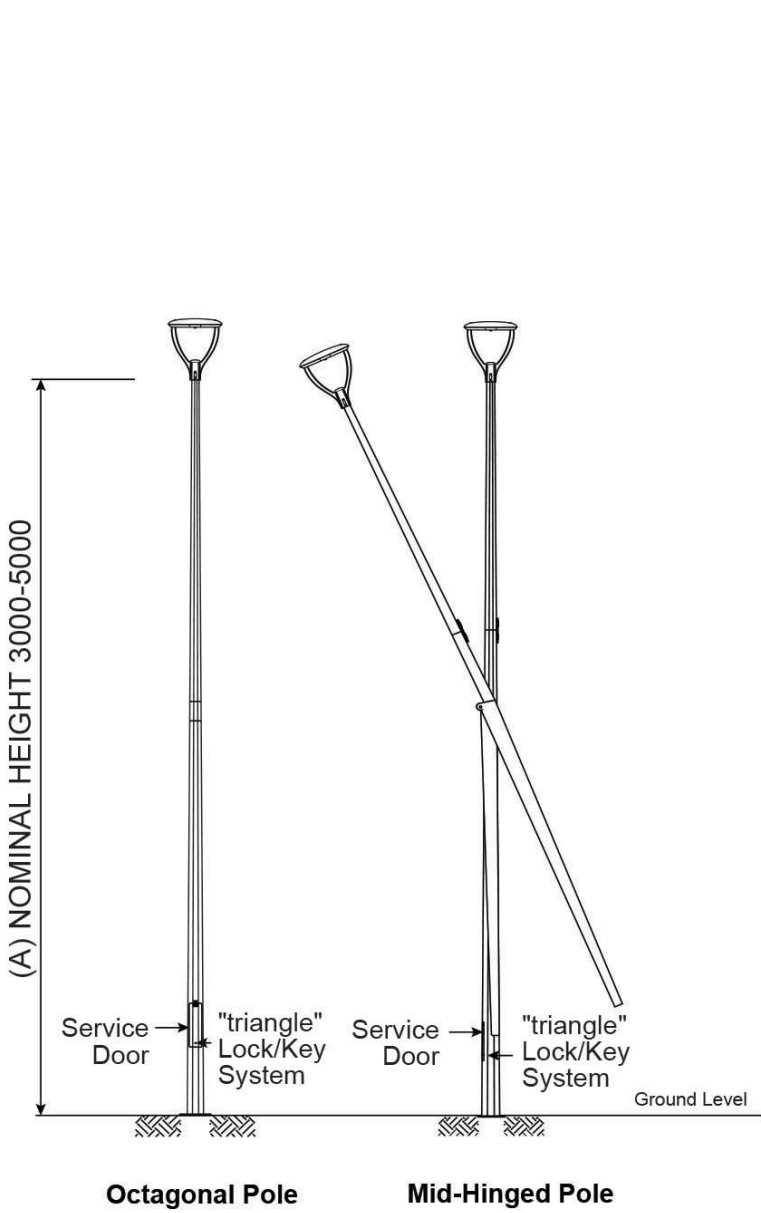
Application

Residential subsidiary areas, pedestrian walkways, car parks, and other low-traffic or decorative environments.

COMPOUND LIGHTING POLE

Octagonal Pole | Mid-Hinged Pole | Flange Type

The pole supports post-top mounted fittings, including compound lights and decorative lanterns, making it suitable for both functional and aesthetic installations.



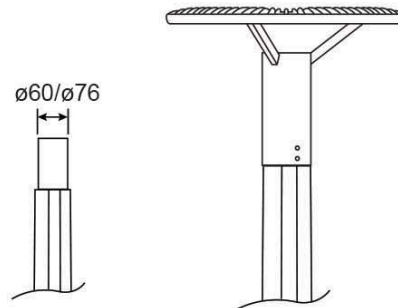
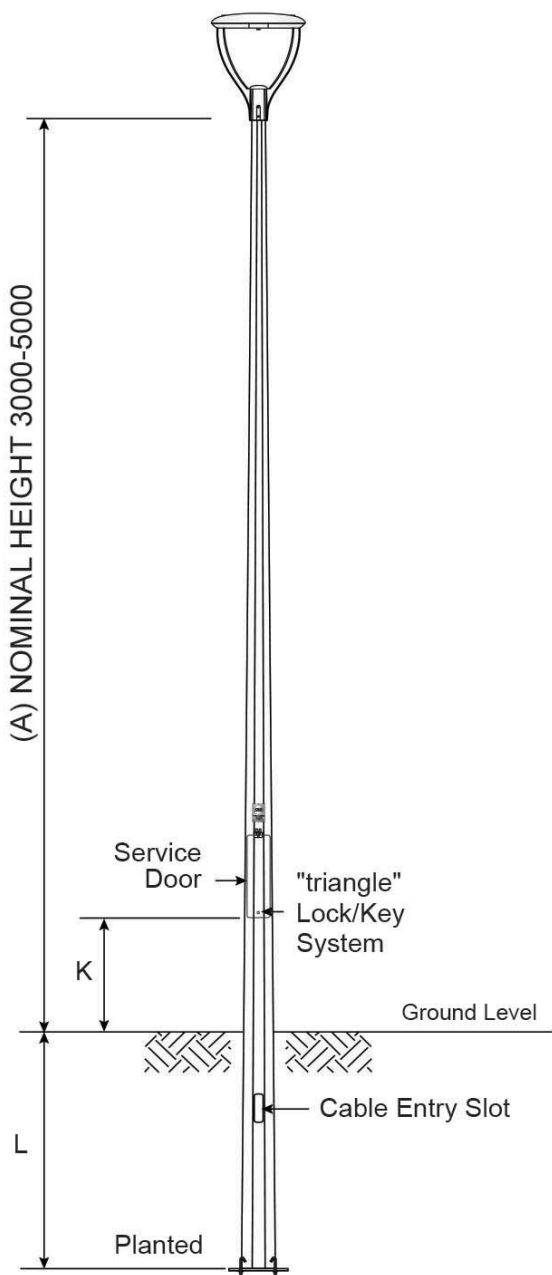
J-Bolt	Flange Plate x (F) Thk.
OLE 'Triangle' Lock/Key System	Service Door (Detail)
Service Door	Service Door (Side view)

Height	Service Door		Flange Plate	Bolt x Bolt Lgth	Grd. Lvl. to Service Door
A	B	C	D x E x (F) THK.	GxJ	K
Meter	MM	MM	MM	MM	MM
3	350	90	250x195x9	16x280	305
3.5	350	90	250x195x9	16x280	305
4	350	90	250x195x9	16x280	305
4.5	350	90	300x220x9	16x280	305
5	350	90	300x220x9	16x280	305

COMPOUND LIGHTING POLE

Octagonal Pole | Planted Type

The pole supports post-top mounted fittings, including compound lights and decorative lanterns, making it suitable for both functional and aesthetic installations.



OLE 'Triangle' Lock/Key System	Hook Bolt
Service Door (Detail)	Service Door (Side view)

Height	Service Door		Grd. Lvl. to Service Door	Planting Depth
A	B	C	K	L
Meter	MM	MM	MM	MM
3	350	90	305	600
3.5	350	90	305	600
4	350	90	305	600
4.5	350	90	305	600
5	350	90	305	600

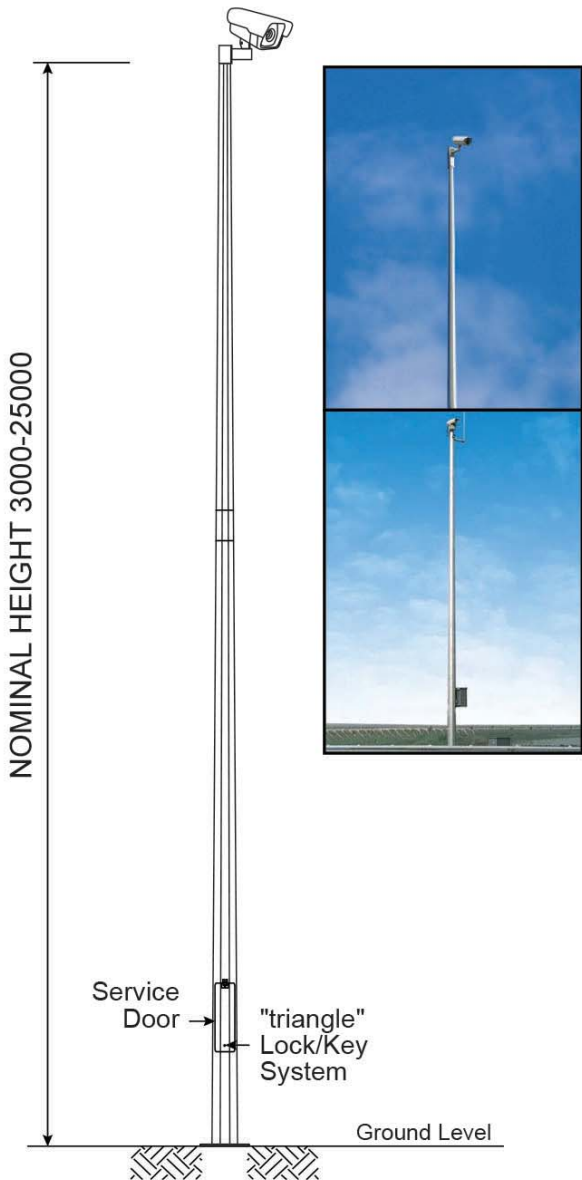
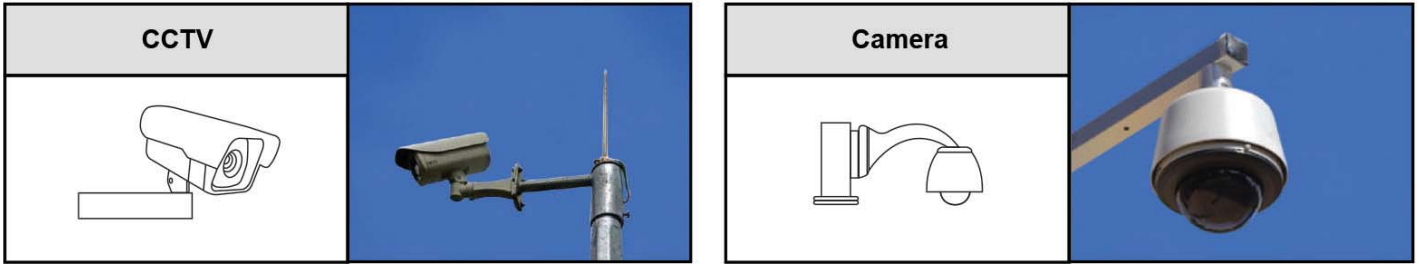
CAMERA | CCTV POLE

Octagonal Pole | Mid-Hinged Pole | Flange Type

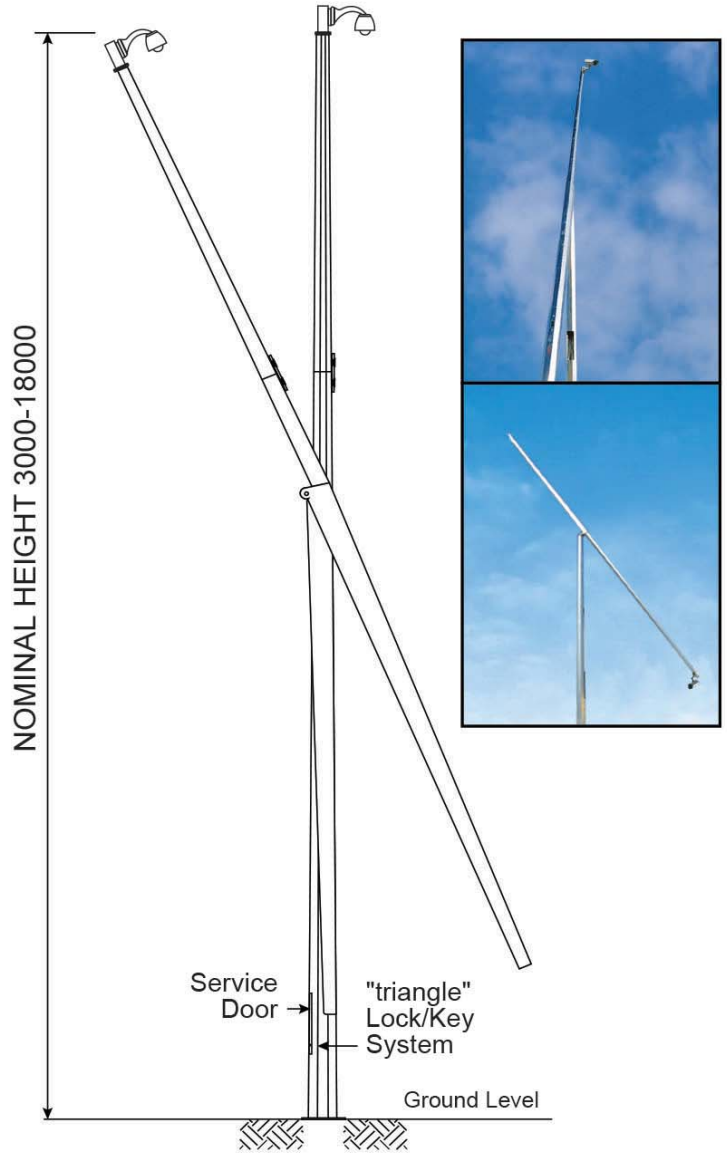
Engineered for security and surveillance applications, this pole is suitable for mounting CCTV cameras, surveillance systems, and smart monitoring devices.

The mid-hinged option allows for safe, ground-level maintenance without lifting equipment, while the flange base ensures a secure and stable installation.

Suitable for deployment in residential zones, commercial areas, car parks, and public infrastructure projects.



Octagonal Pole



Mid-Hinged Pole

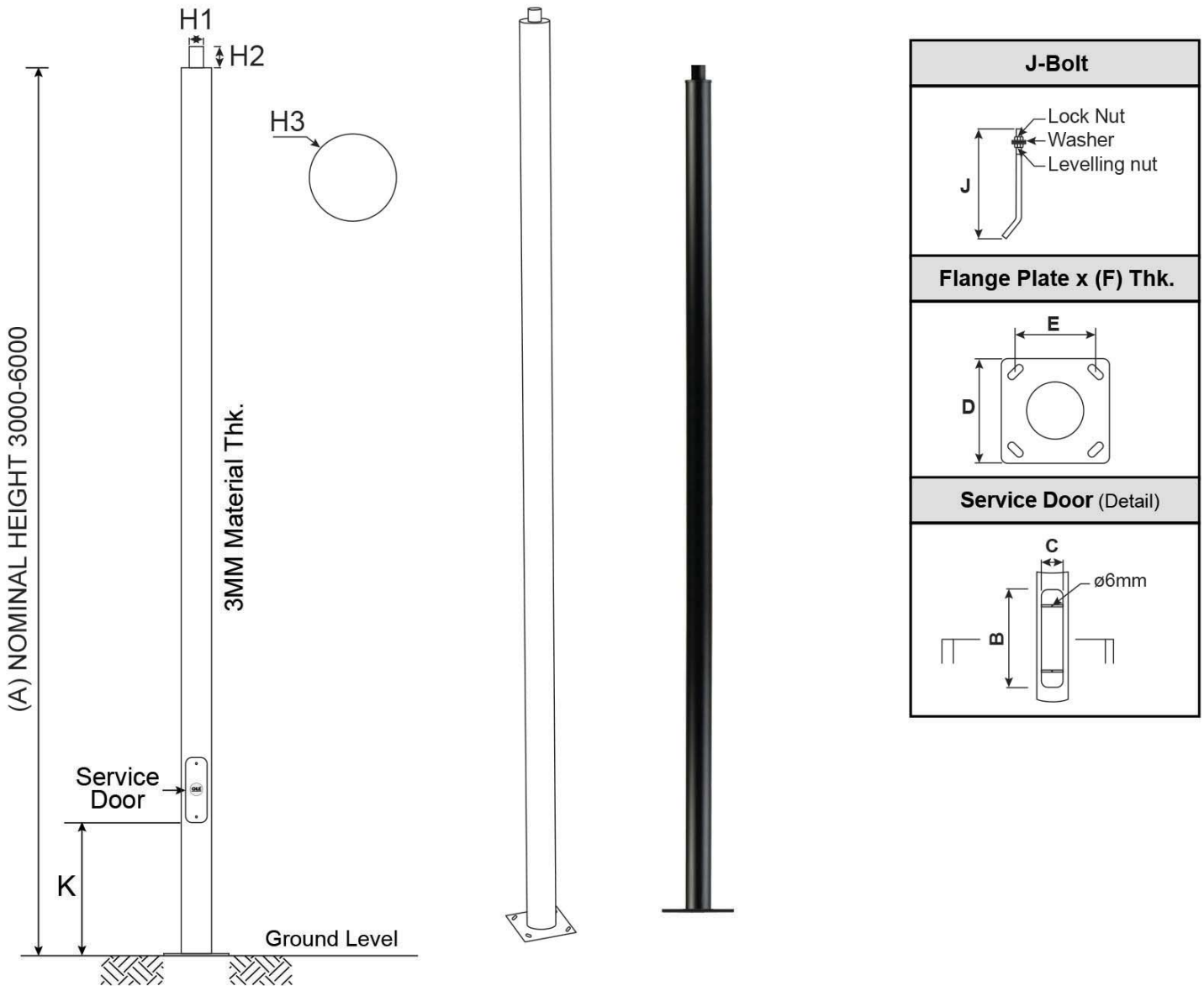
COMPOUND LIGHTING POLE

Round Aluminium Pole | Flange Type

Housing Material:

Constructed from extruded aluminium alloy AA 6063-T5, known for its excellent strength, corrosion resistance, and durability.

The surface is finished with a durable outdoor-grade powder coating, providing long-lasting protection against harsh weather conditions and ensuring a high-quality aesthetic appearance.



Height	Service Door		Flange Plate	J-Bolt	Grd. Lvl. to Service Door	Diameter		
	B	C	D x E x (F) THK.	J		H1	H2	H3
Meter	MM	MM	MM	MM	MM	MM	MM	MM
3	300	100	275x195x8	$\phi 16 \times 280$ (L)	600	$\phi 60 / \phi 76$	89	$\phi 127$
4	300	100	275x195x8	$\phi 16 \times 280$ (L)	600	$\phi 60 / \phi 76$	89	$\phi 127$
5	300	100	275x195x10	$\phi 16 \times 280$ (L)	600	$\phi 60 / \phi 76$	89	$\phi 127$
6	300	100	300x220x10	$\phi 20 \times 450$ (L)	600	$\phi 60 / \phi 76$	89	$\phi 127$

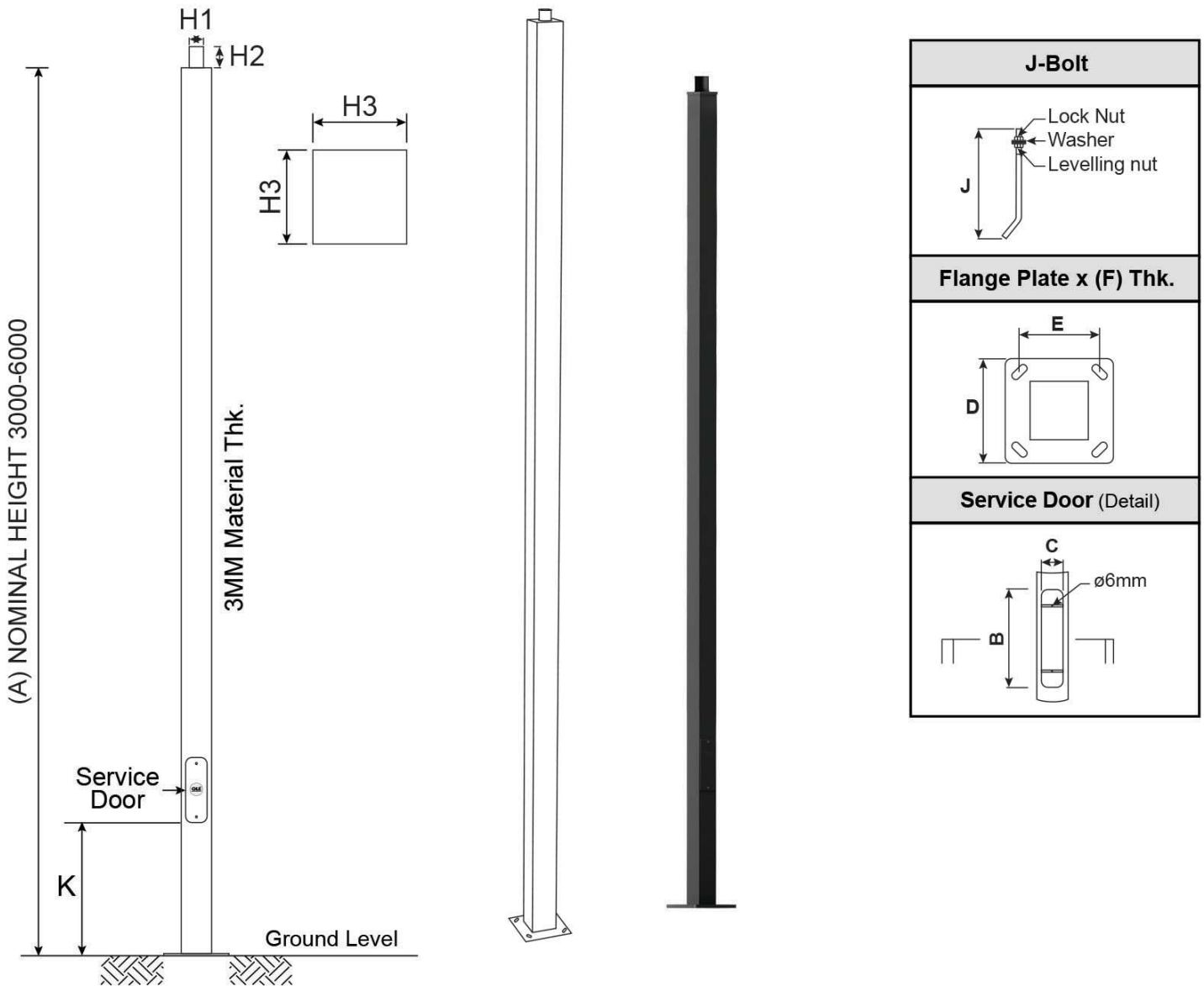
COMPOUND LIGHTING POLE

Square Aluminium Pole | Flange Type

Housing Material:

Constructed from extruded aluminium alloy AA 6063-T5, known for its excellent strength, corrosion resistance, and durability.

The surface is finished with a durable outdoor-grade powder coating, providing long-lasting protection against harsh weather conditions and ensuring a high-quality aesthetic appearance.



Height	Service Door		Flange Plate	J-Bolt	Grd. Lvl. to Service Door	Diameter		
	B	C	D x E x (F) THK.	J		H1	H2	H3
Meter	MM	MM	MM	MM	MM	MM	MM	MM
3	300	100	275x195x8	$\phi 16 \times 280$ (L)	600	$\phi 60 / \phi 76$	89	127x127
4	300	100	275x195x8	$\phi 16 \times 280$ (L)	600	$\phi 60 / \phi 76$	89	127x127
5	300	100	275x195x10	$\phi 16 \times 280$ (L)	600	$\phi 60 / \phi 76$	89	127x127
6	300	100	300x220x10	$\phi 20 \times 450$ (L)	600	$\phi 60 / \phi 76$	89	127x127

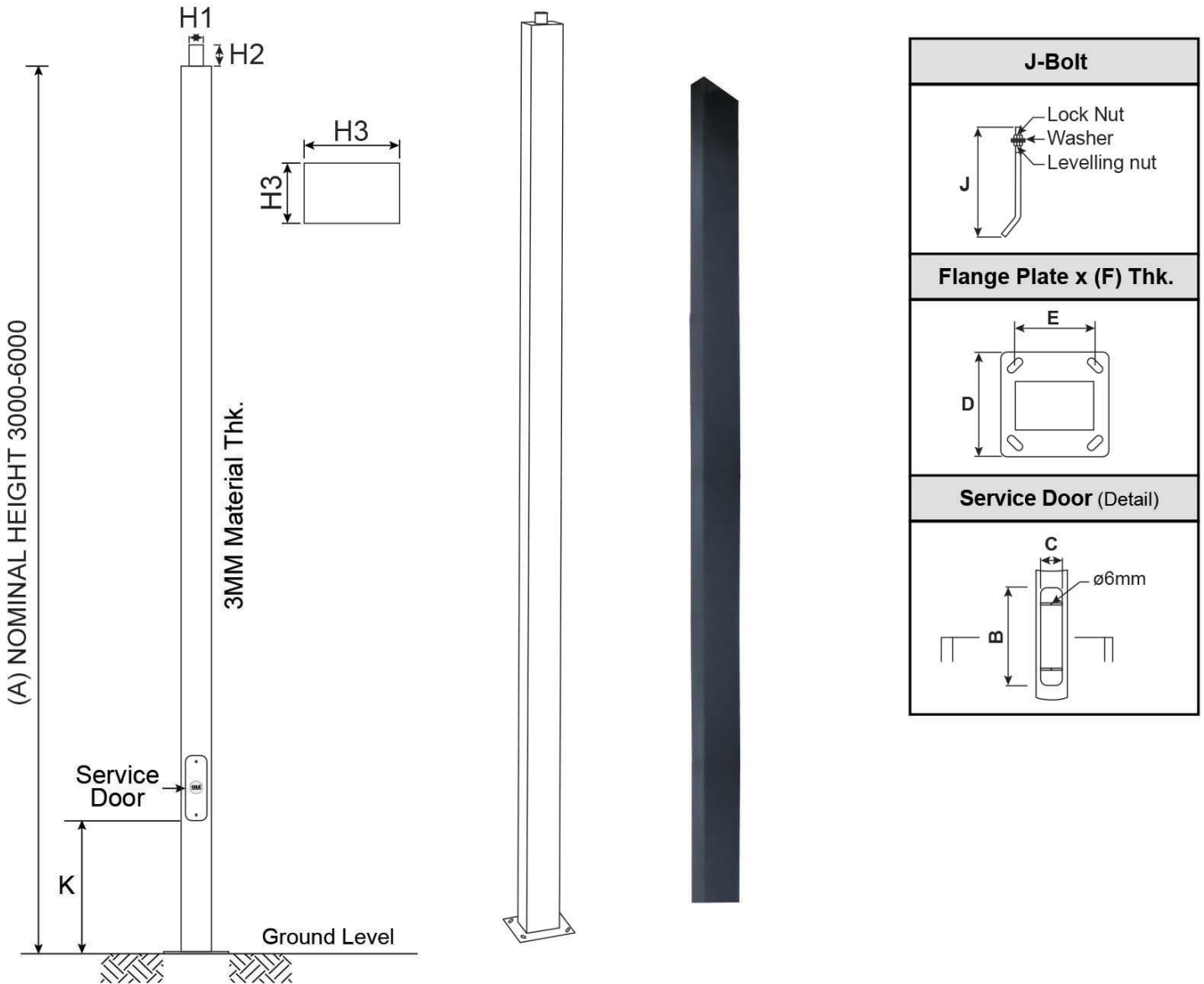
COMPOUND LIGHTING POLE

Rectangular Aluminium Pole | Flange Type

Housing Material:

Constructed from extruded aluminium alloy AA 6063-T5, known for its excellent strength, corrosion resistance, and durability.

The surface is finished with a durable outdoor-grade powder coating, providing long-lasting protection against harsh weather conditions and ensuring a high-quality aesthetic appearance.



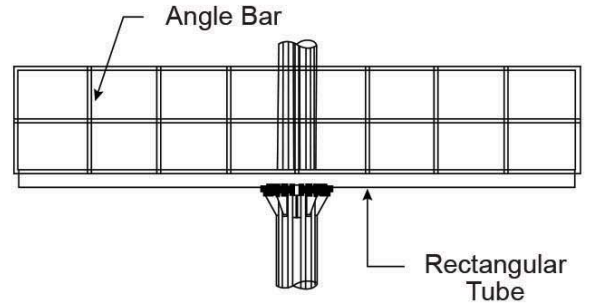
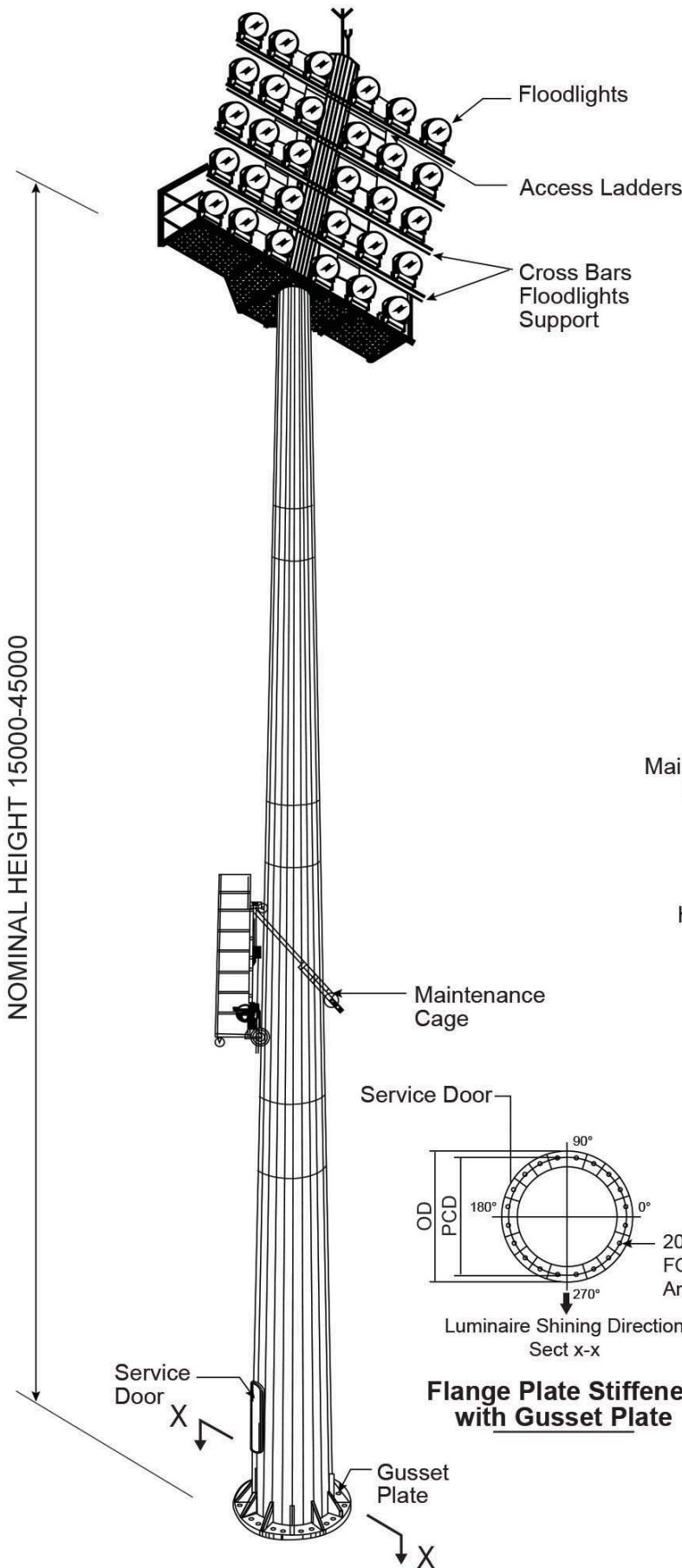
Height	Service Door		Flange Plate	J-Bolt	Grd. Lvl. to Service Door	Diameter		
	B	C				D x E x (F) THK.	J	K
Meter	MM	MM	MM	MM	MM	MM	MM	MM
3	250	104	300x220x8	ø16x280 (L)	600	ø60/ø76	89	90x150
4	250	104	300x220x8	ø16x280 (L)	600	ø60/ø76	89	90x150
5	250	104	300x220x10	ø16x280 (L)	600	ø60/ø76	89	90x150
6	250	104	300x220x10	ø20x450 (L)	600	ø60/ø76	89	90x150



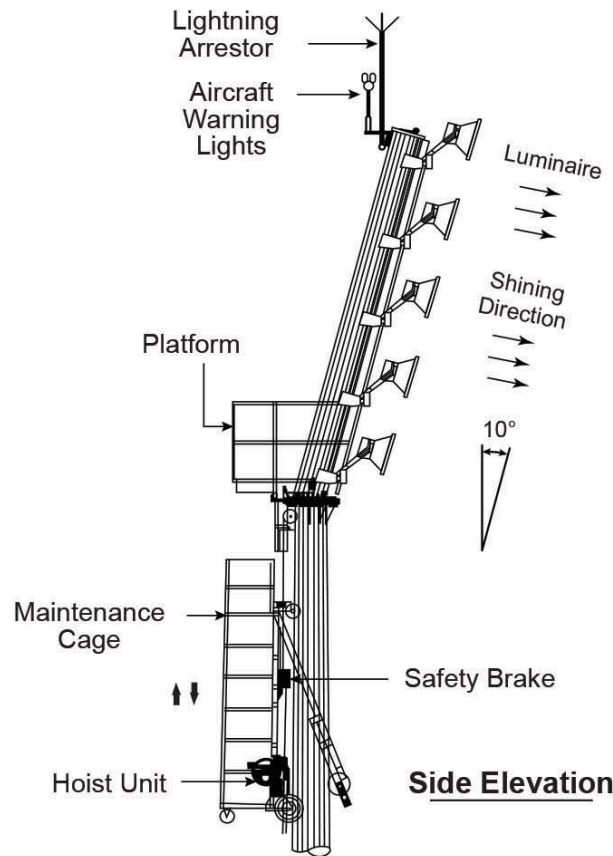
➤ Stadium Sultan Sulaiman, Klang, Selangor

Application

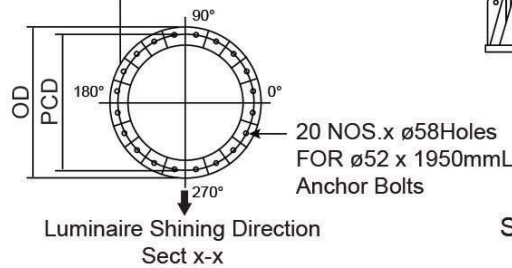
Suitable for large-scale, high-mount lighting installations in stadiums, sports complexes and fields, car park areas, open public spaces. Designed to provide uniform, high-intensity illumination for wide coverage areas, ideal for both recreational and safety-critical environments.



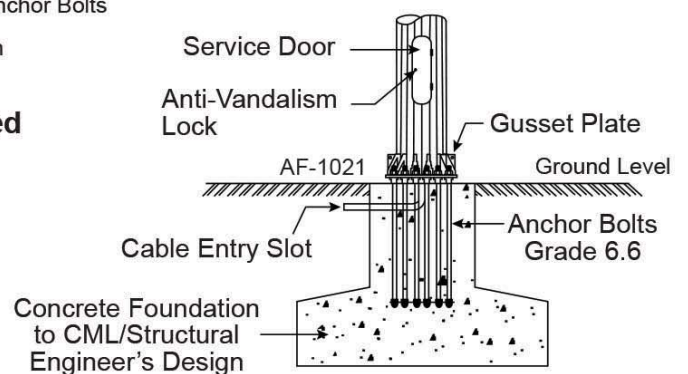
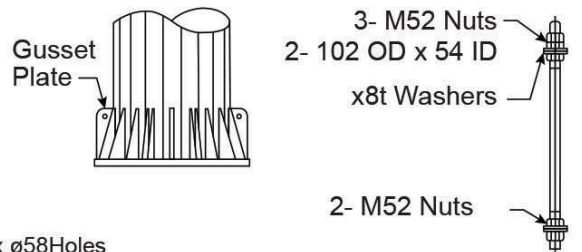
Platform Elevation

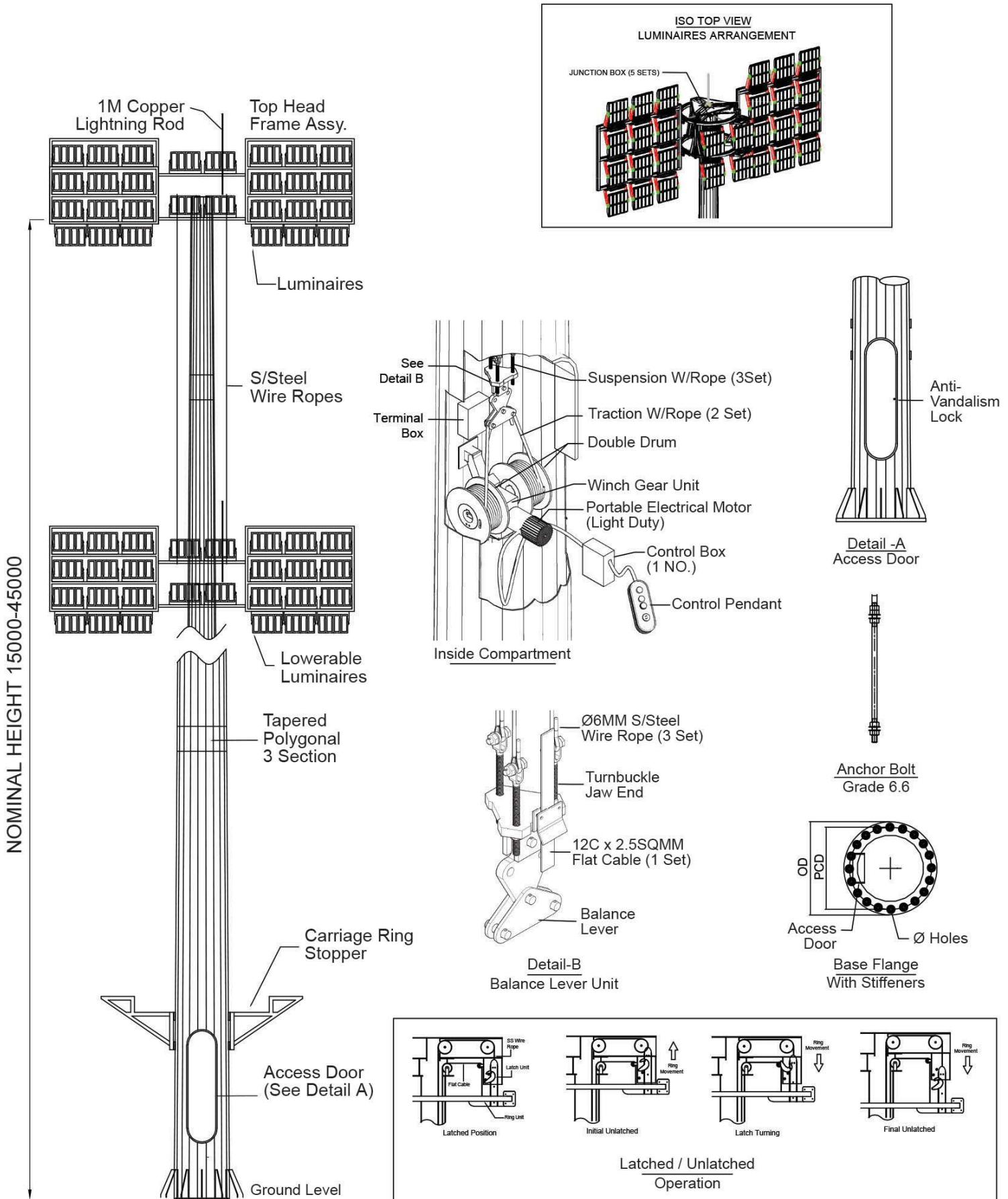


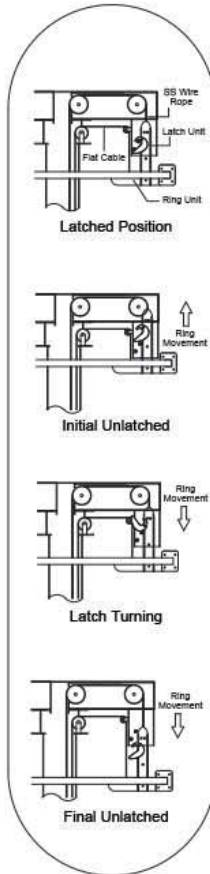
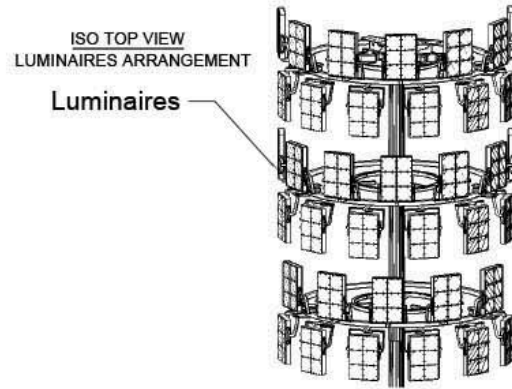
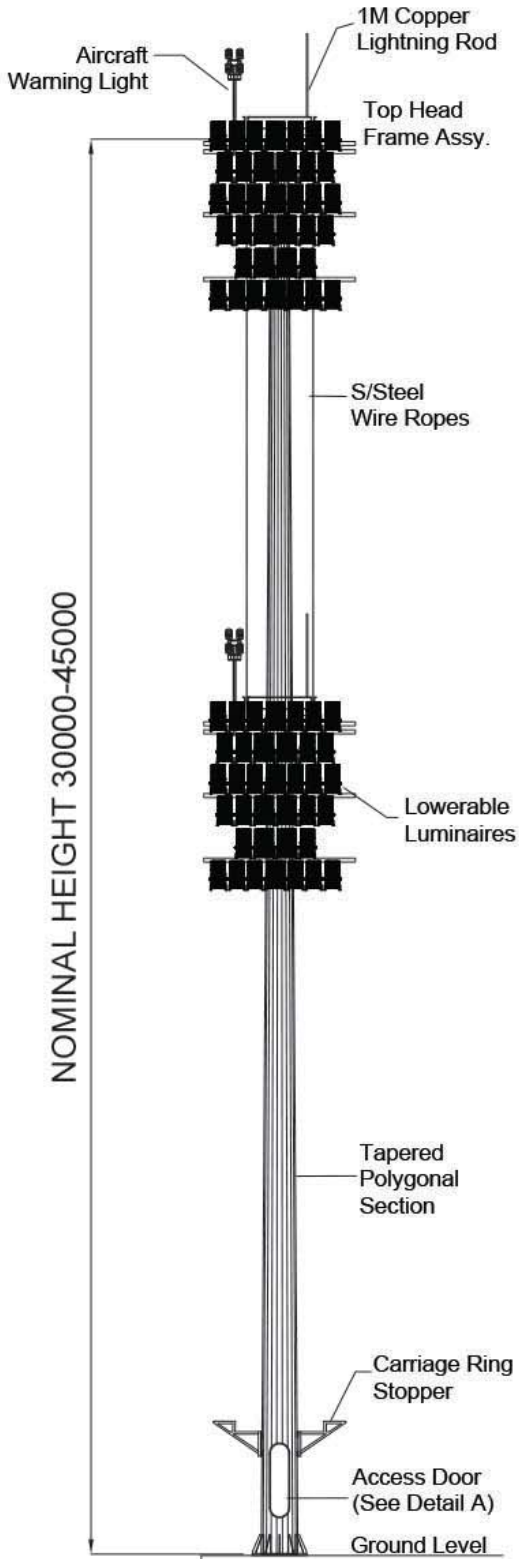
Side Elevation



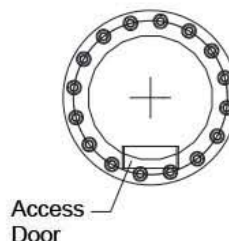
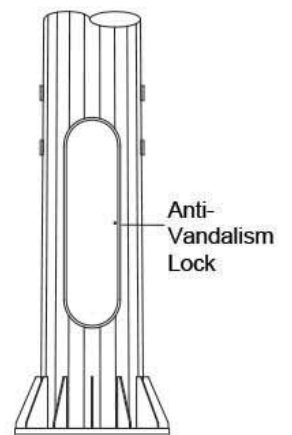
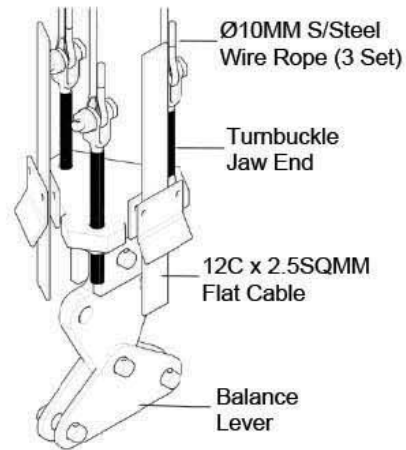
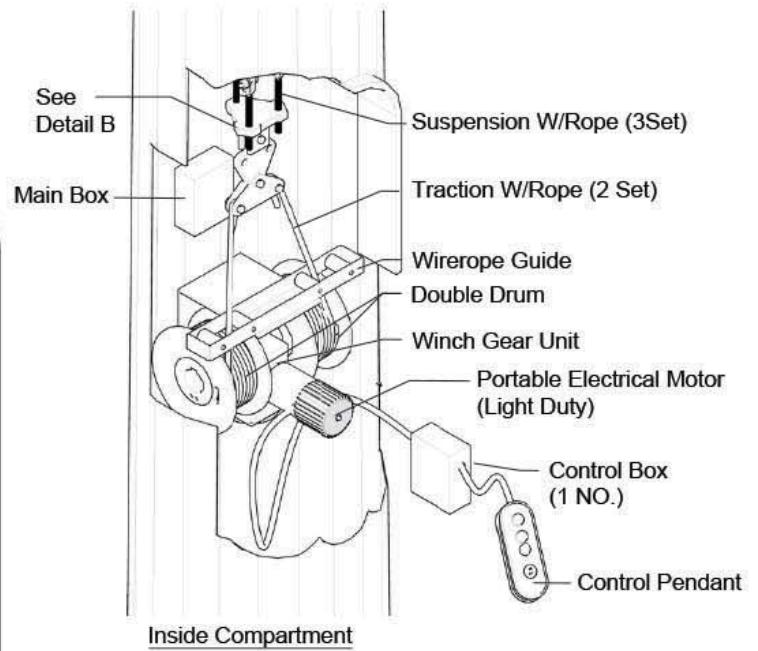
Flange Plate Stiffened with Gusset Plate







Latched / Unlatched Operation

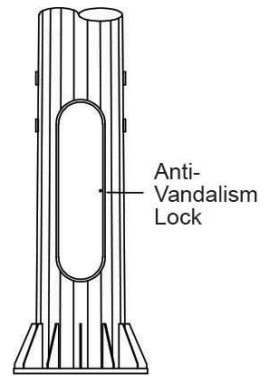
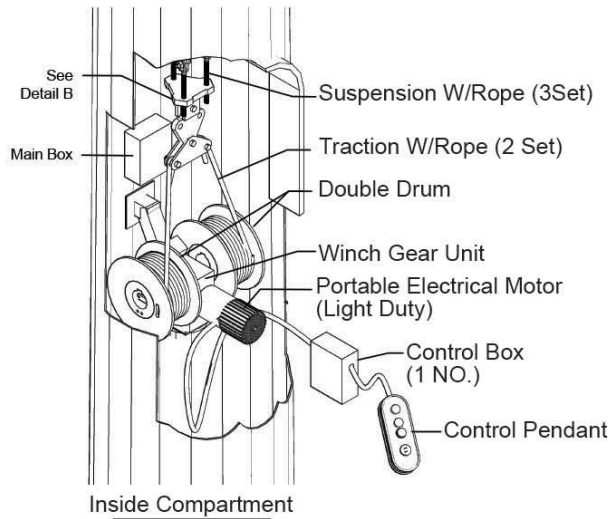
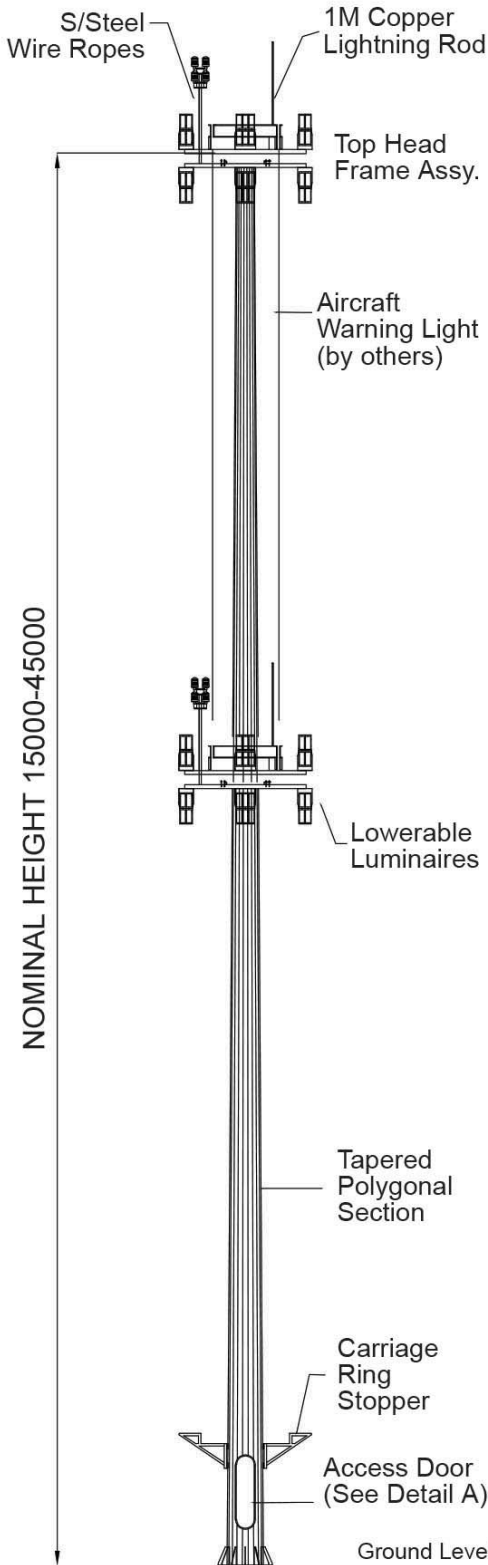
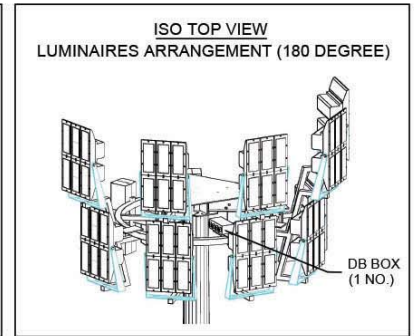
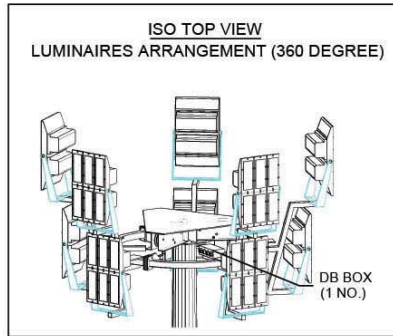


Base Flange
With Stiffeners



Anchor Bolt
Grade 6.6

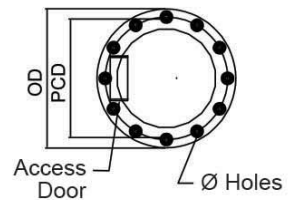
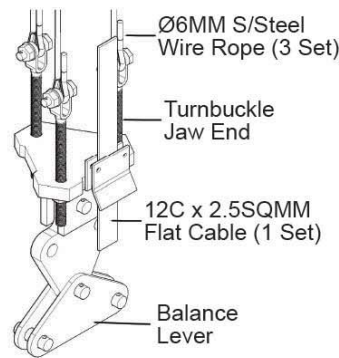
NOTE
CONCRETE FOUNDATION IS UNDER RESPECTIVE C&S ENGINEER
DESIGN BASED ON GIVEN UNFACTORED REACTIONS



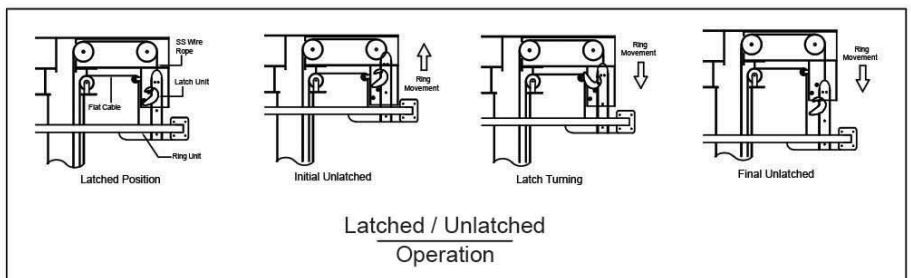
**Detail -A
Access Door**



**Anchor Bolt
Grade 6.6**



**Base Flange
With Stiffeners**

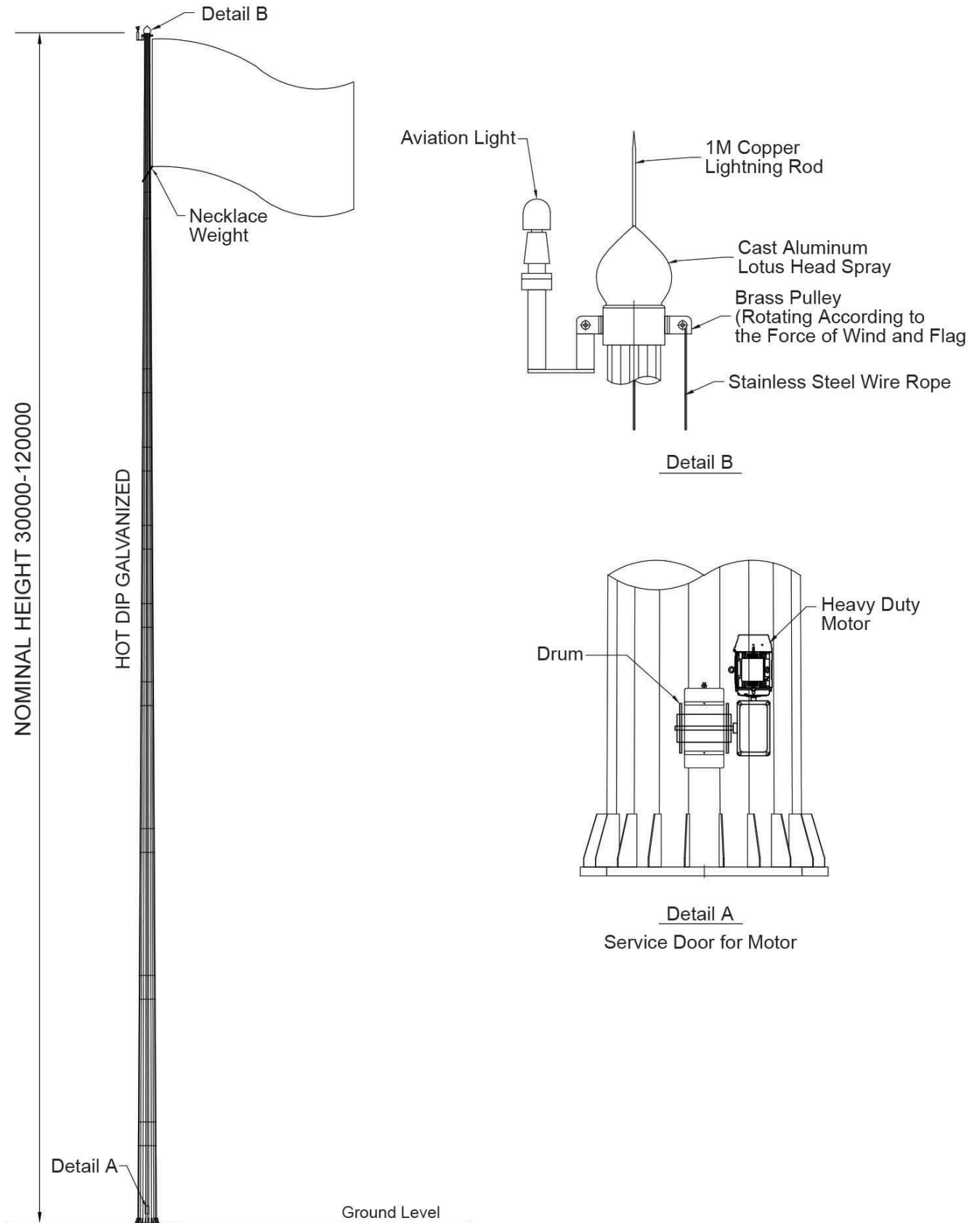




➤ Klang, Selangor

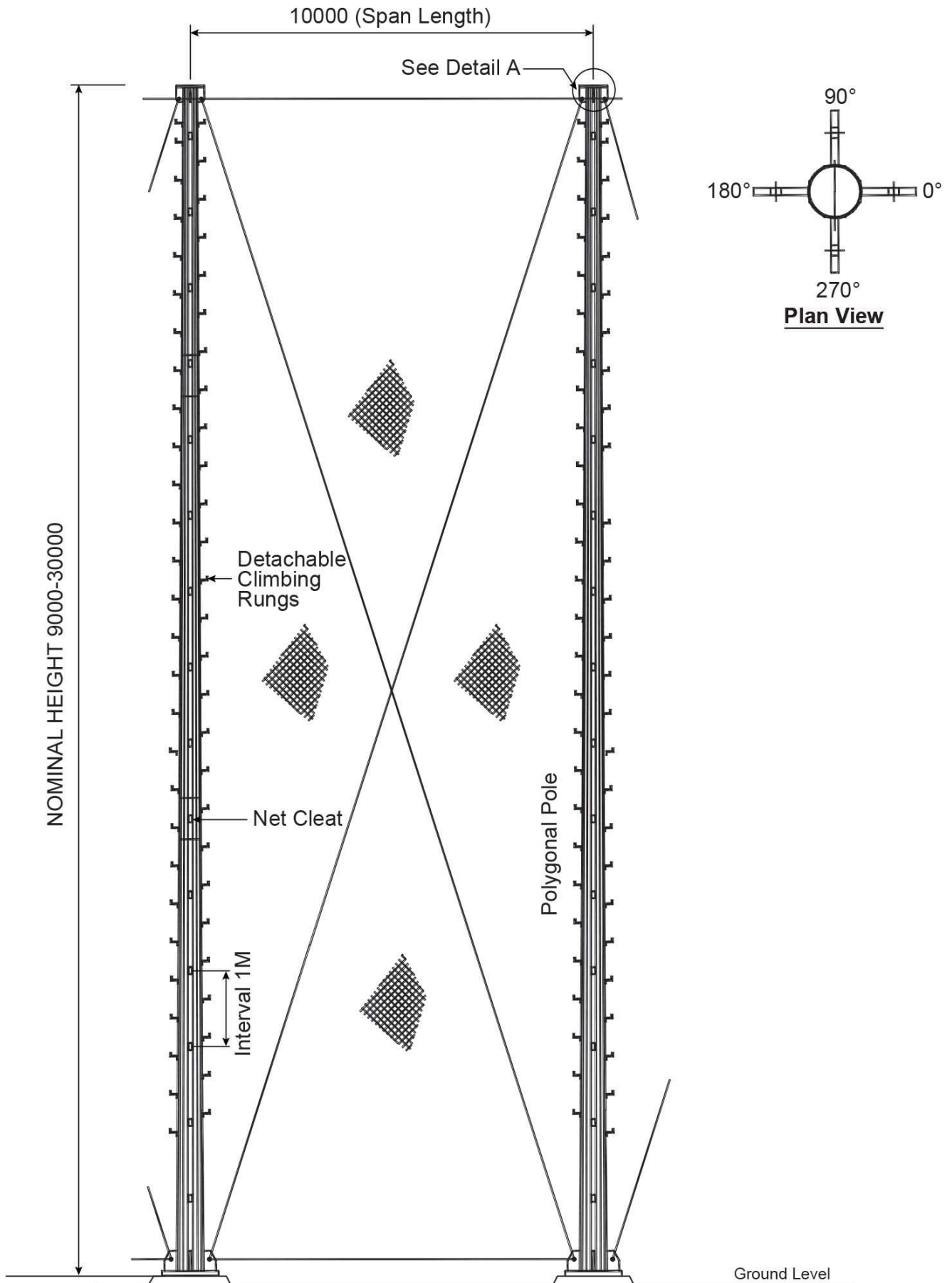
Application

High-quality flagpole designed for outdoor and ceremonial use in a wide range of environments such as government buildings, schools, corporate facilities, public parks, and commercial premises.



Application:

Suitable for installation in sports field courts such as football, futsal, tennis, basketball, or multi-purpose courts where perimeter netting is required for ball containment, spectator safety, or area separation.





► Kota Emerald, Rawang, Selangor

Application

Main roads, residential areas, commercial zones, parking lots, pathways, and other public spaces.



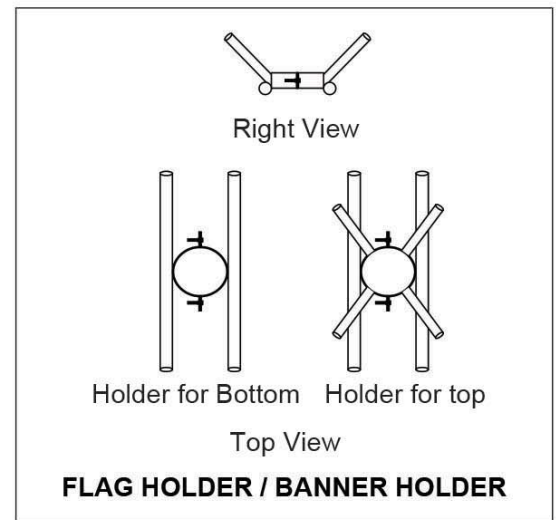
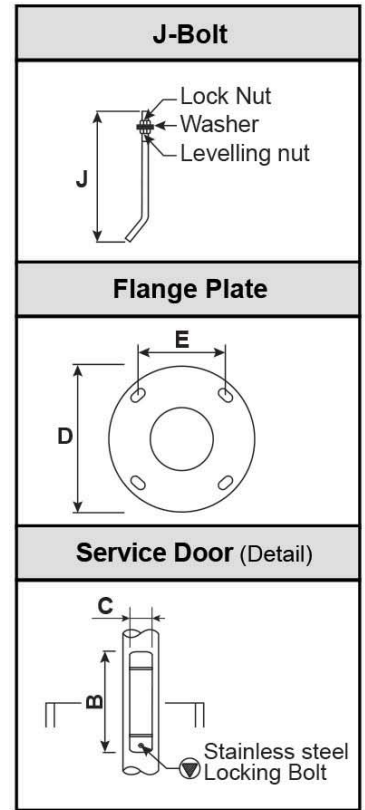
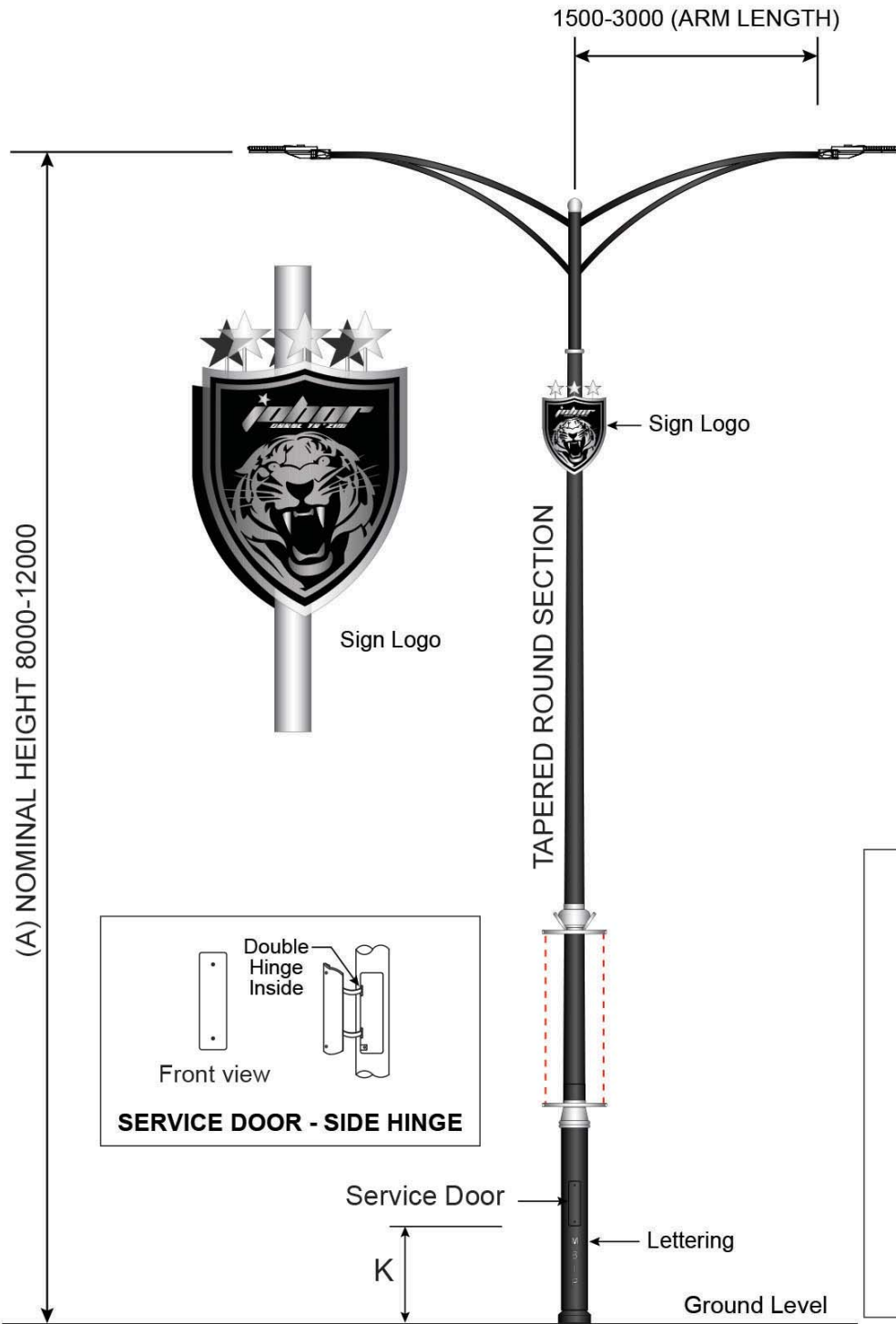
► Gelang Patah, Johor

Application

Main roads, residential areas, commercial zones, parking lots, pathways, and other public spaces.

DECORATIVE POLE

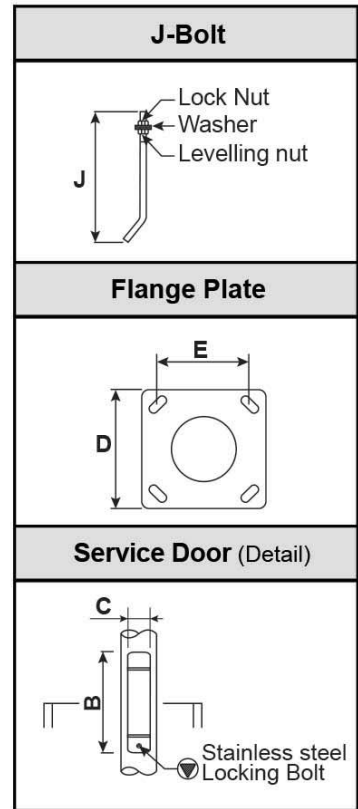
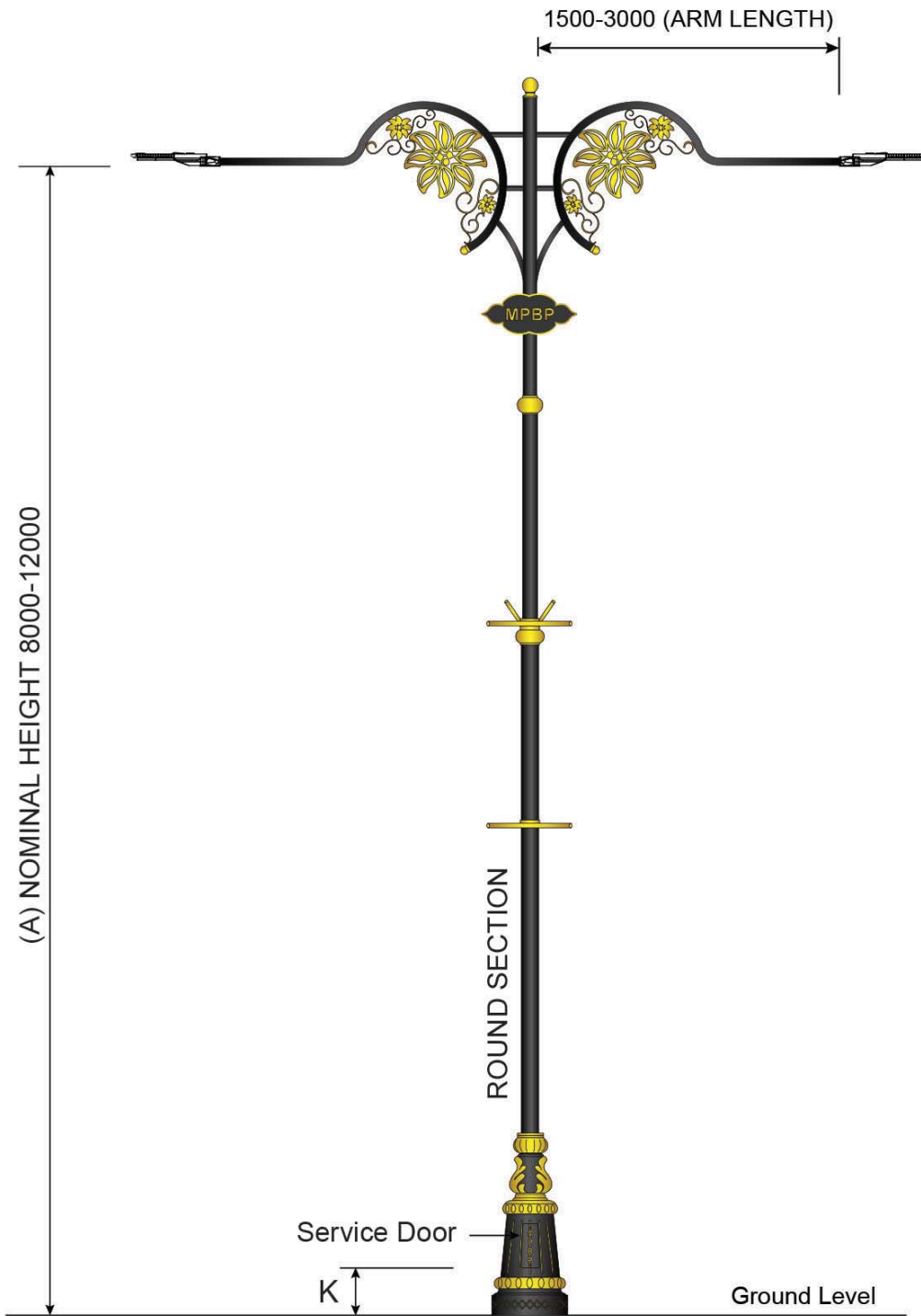
Tapered Round Pole



Height	Service Door		Flange Plate	J-Bolt	Grd. Lvl. to Service Door
	B	C			
Meter	MM	MM	MM	MM	MM
8	450	120	500x300	ø20x450 (L)	610
9	450	120	500x300	ø20x500 (L)	610
10	450	120	500x300	ø24x570 (L)	610 (1800/2000 Optional)
12	450	120	500x300	ø24x570 (L)	610 (1800/2000 Optional)

DECORATIVE POLE

Round Pole



Height	Service Door		Flange Plate	J-Bolt	Grd. Lvl. to Service Door
	B	C			
Meter	MM	MM	MM	MM	MM
8	450	120	300x220	ø20x450 (L)	610
9	450	120	300x220	ø20x500 (L)	610
10	450	120	350x260	ø24x570 (L)	610 (1800/2000 Optional)
12	450	120	400x300	ø24x570 (L)	610 (1800/2000 Optional)



Jalan Mersing, Kluang, Johor



Pengerang, Johor



Pusat Pentadbiran Negeri Sabah (PPNS) Sabah



Dataran Muhamadi, Kelantan



Jalan Tan Hiok Nee, Johor



Persiaran 1 Batu Caves, Selangor



Jalan Dato Abdullah Tahir, Johor



Eco Palladium, Johor



Essex Garden, Selangor



Kemaman, Terengganu



Dungun, Terengganu



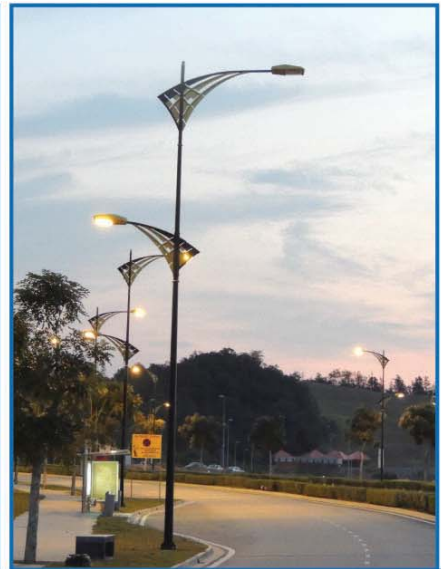
Marang, Terengganu



Jalan Banting, Klang, Selangor



Jalan Istana, Klang, Selangor



Medini, Johor



Marina Puteri Harbour, Johor



Jalan Kluang, Batu Pahat, Johor



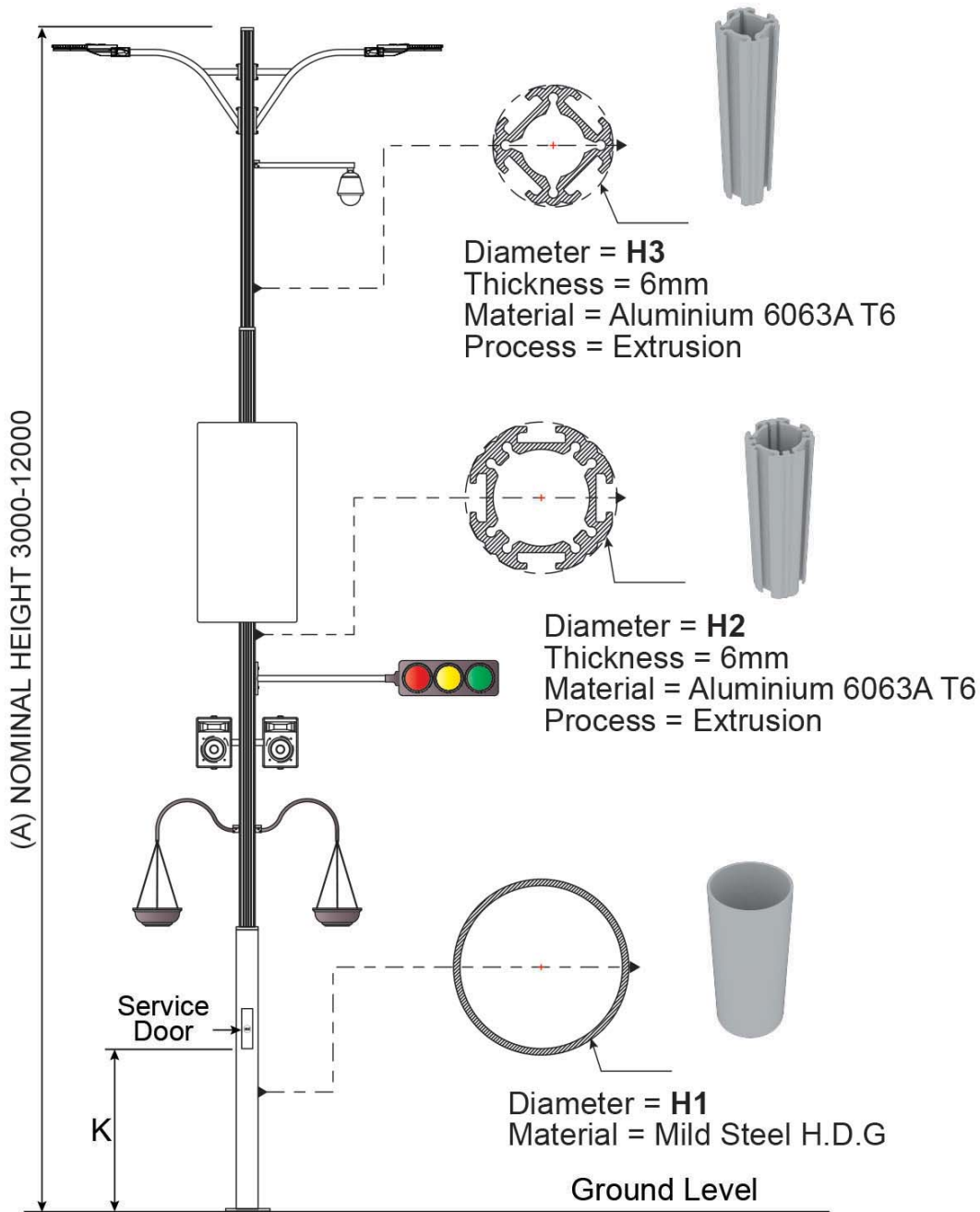
Johor



► Jalan Ampang, Kuala Lumpur

Application

A lightweight, corrosion-resistant pole designed for various indoor and outdoor applications, including signage, lighting, CCTV mounting, traffic sensors, and smart city devices. Manufactured from high-grade aluminium, it offers long-term durability with minimal maintenance, making it ideal for urban, commercial, and landscaped environments.



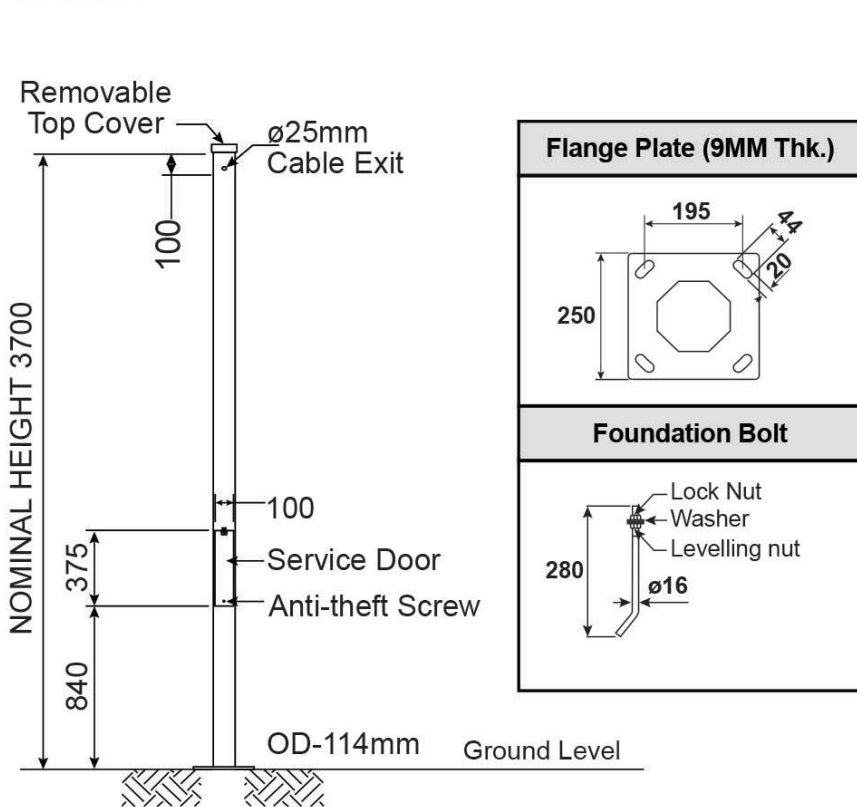
J-Bolt
Flange Plate x (F) Thk.
Service Door (Detail)

Height	Service Door		Flange Plate	I/J-Bolt	Grd. Lvl. to Service Door	Diameter		
	B	C				D x E x (F) THK.	J	K
Meter	MM	MM	MM	MM	MM	MM	MM	MM
4	350	100	250x195x8	ø16x280 (L)	305	ø140	ø114	-
5	350	100	250x195x10	ø16x280 (L)	305	ø140	ø114	-
6	450	120	300x220x15	ø20x450 (L)	610 / 1780	ø165	ø147	-
7	450	120	300x220x15	ø20x450 (L)	610 / 1780	ø165	ø147	ø114
8	450	120	300x220x15	ø20x450 (L)	610 / 1780	ø165	ø147	ø114
9	450	120	300x220x20	ø20x450 (L)	610 / 1780	ø165	ø147	ø114
10	450	120	350x260x20	ø24x570 (L)	610 / 1780	ø220	ø147	ø114
12	450	120	445x300x25	ø24x570 (L)	610 / 1780	ø220	ø147	ø114

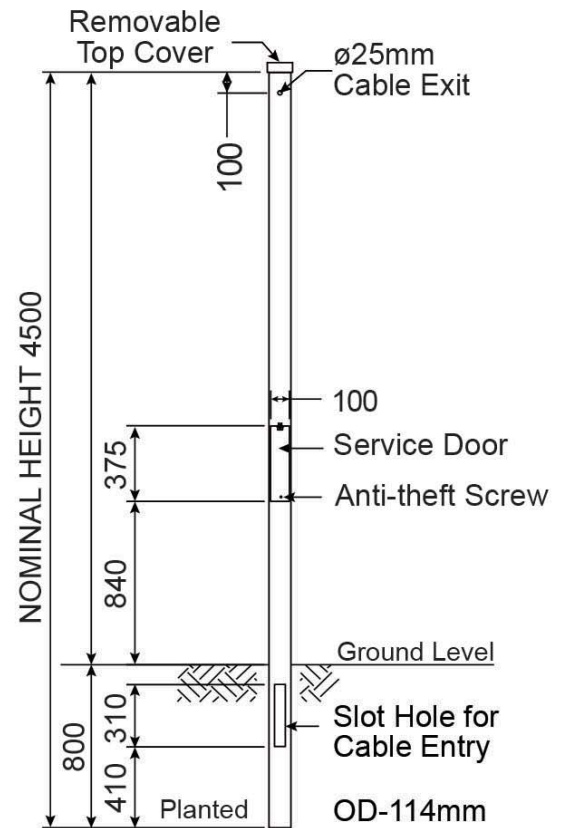
TRAFFIC LIGHT POLE

Tubular | Octagonal Parallel

Tubular

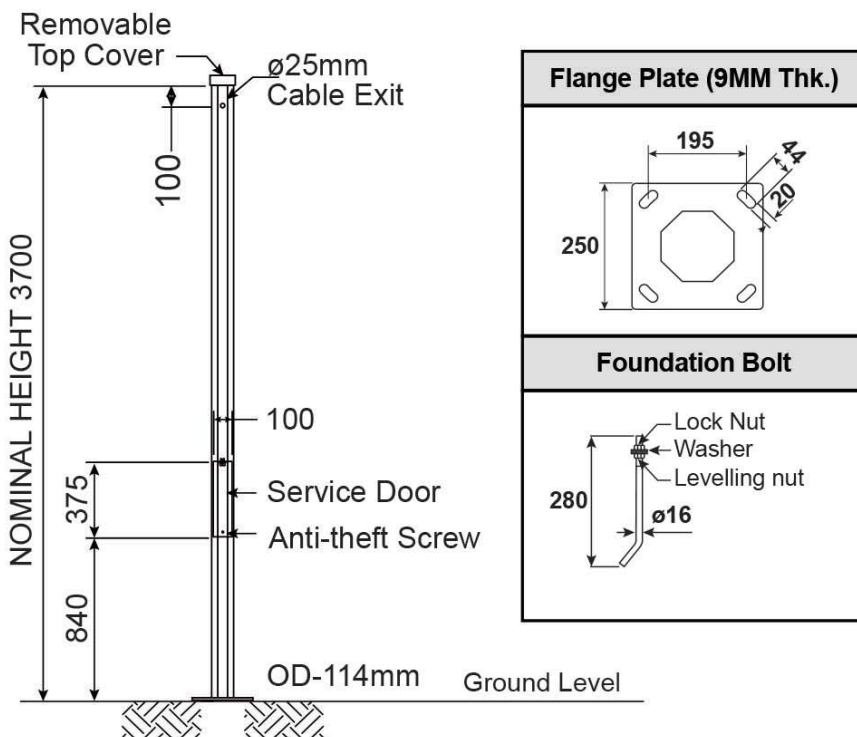


Flange Type

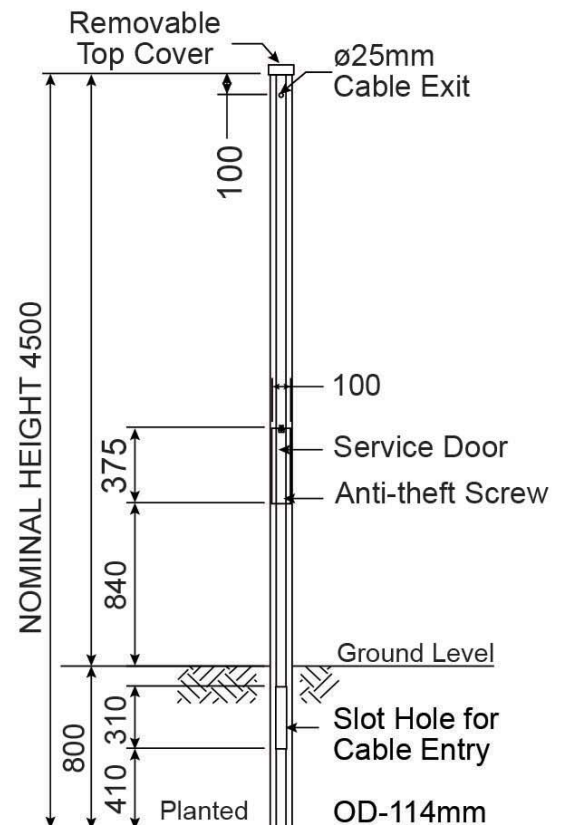


Planted Type

Octagonal Parallel



Flange Type



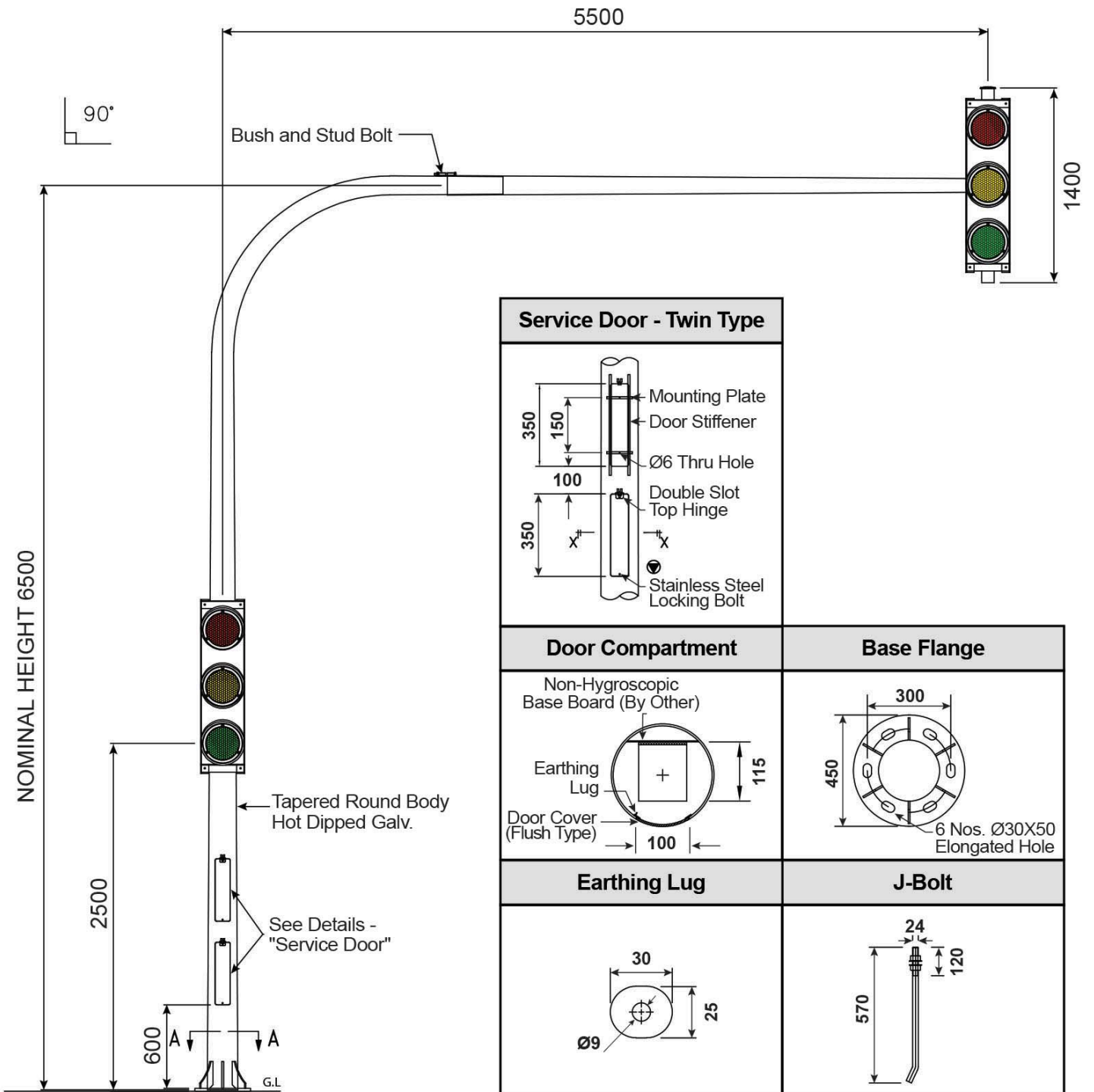
Planted Type

TRAFFIC LIGHT POLE

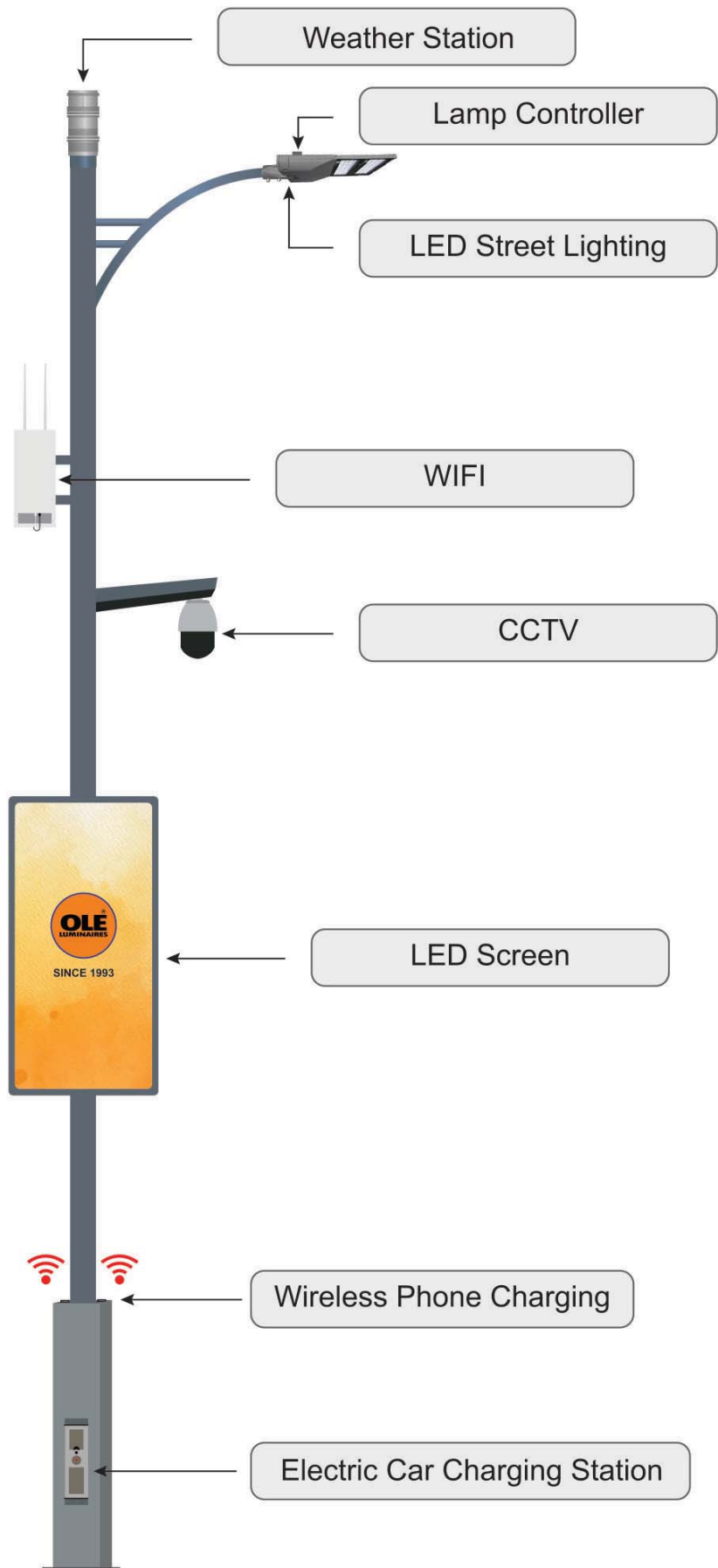
Overhead | Tubular

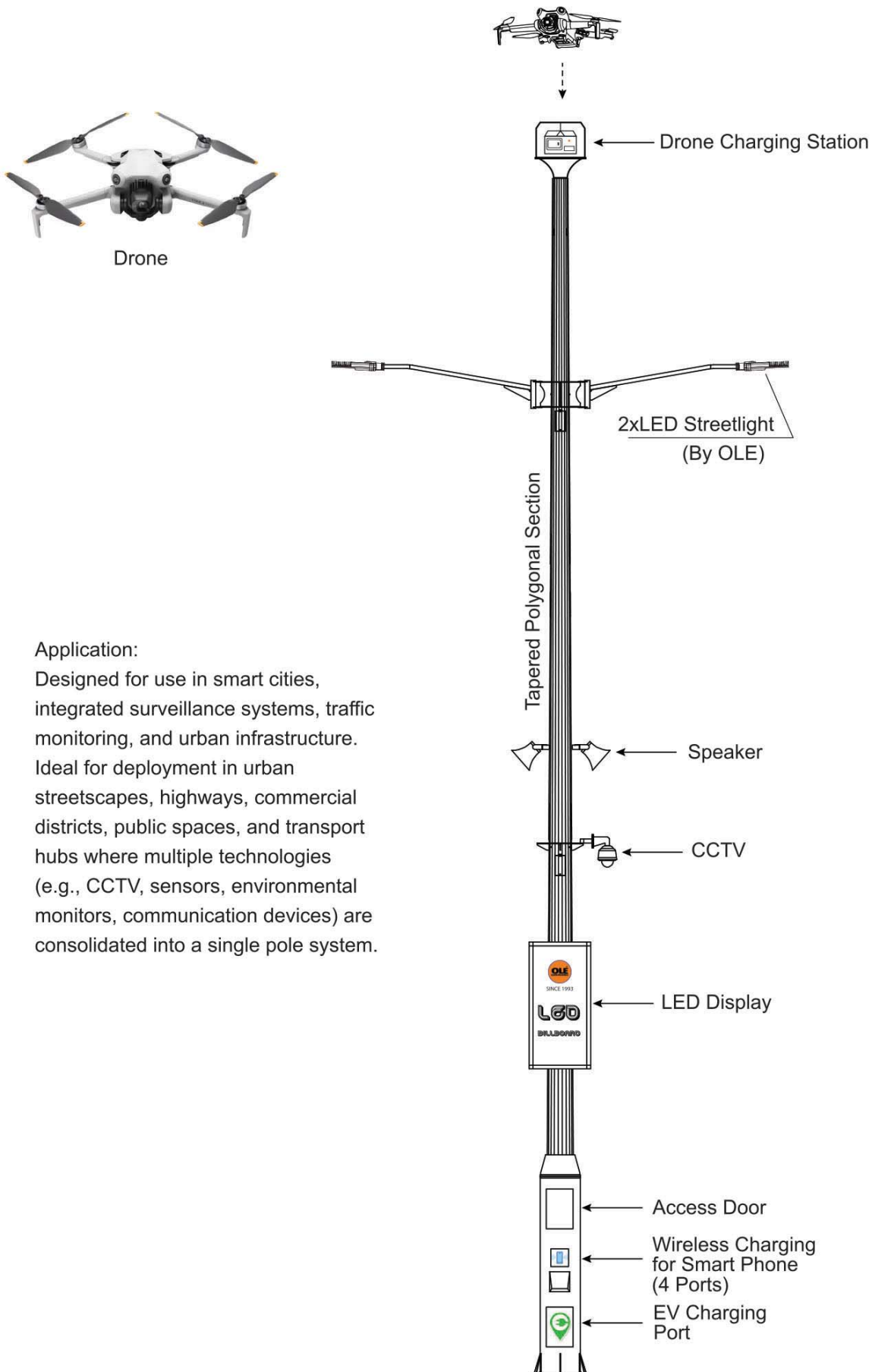
Designed to provide stable and reliable support for traffic signal systems in various road and intersection settings.

Available in multiple configurations, these poles can be customized to suit specific urban and highway traffic management requirements. They can also serve a dual purpose, integrating both traffic signals and street lighting on a single structure—maximizing functionality and minimizing street clutter.



Application:
Designed for use in smart cities, integrated surveillance systems, traffic monitoring, and urban infrastructure. Ideal for deployment in urban streetscapes, highways, commercial districts, public spaces, and transport hubs where multiple technologies (e.g., CCTV, sensors, environmental monitors, communication devices) are consolidated into a single pole system.





Application:
Designed for use in smart cities, integrated surveillance systems, traffic monitoring, and urban infrastructure. Ideal for deployment in urban streetscapes, highways, commercial districts, public spaces, and transport hubs where multiple technologies (e.g., CCTV, sensors, environmental monitors, communication devices) are consolidated into a single pole system.

Application:

Suitable for installation in high-visibility locations such as petrol stations, fast food outlets, commercial zones, residential areas, and other urban environments where aesthetics and functional integration are required.

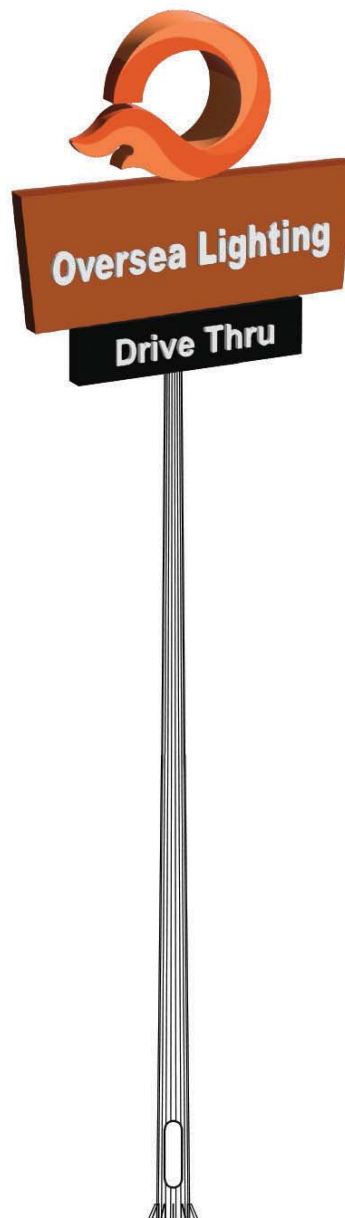
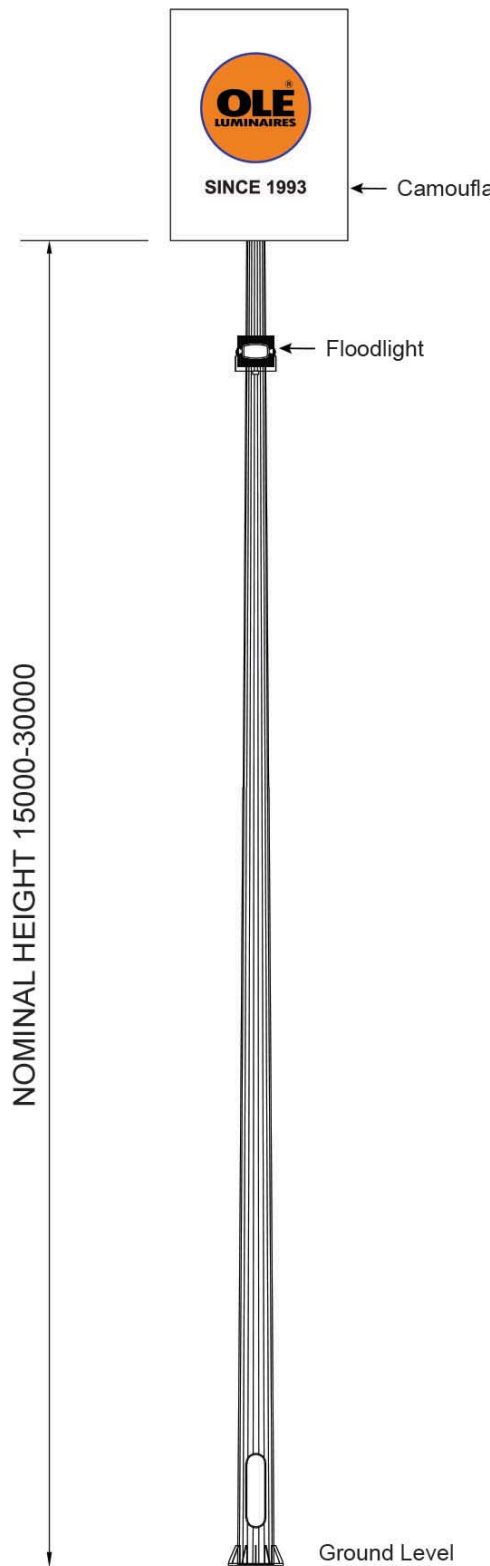
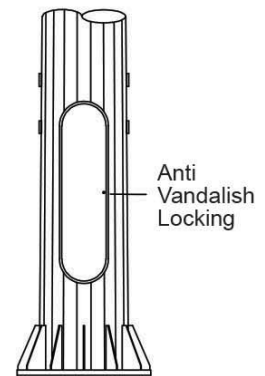


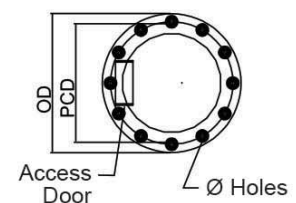
Image shown is for illustration purposes only



Detail -A
Access Door



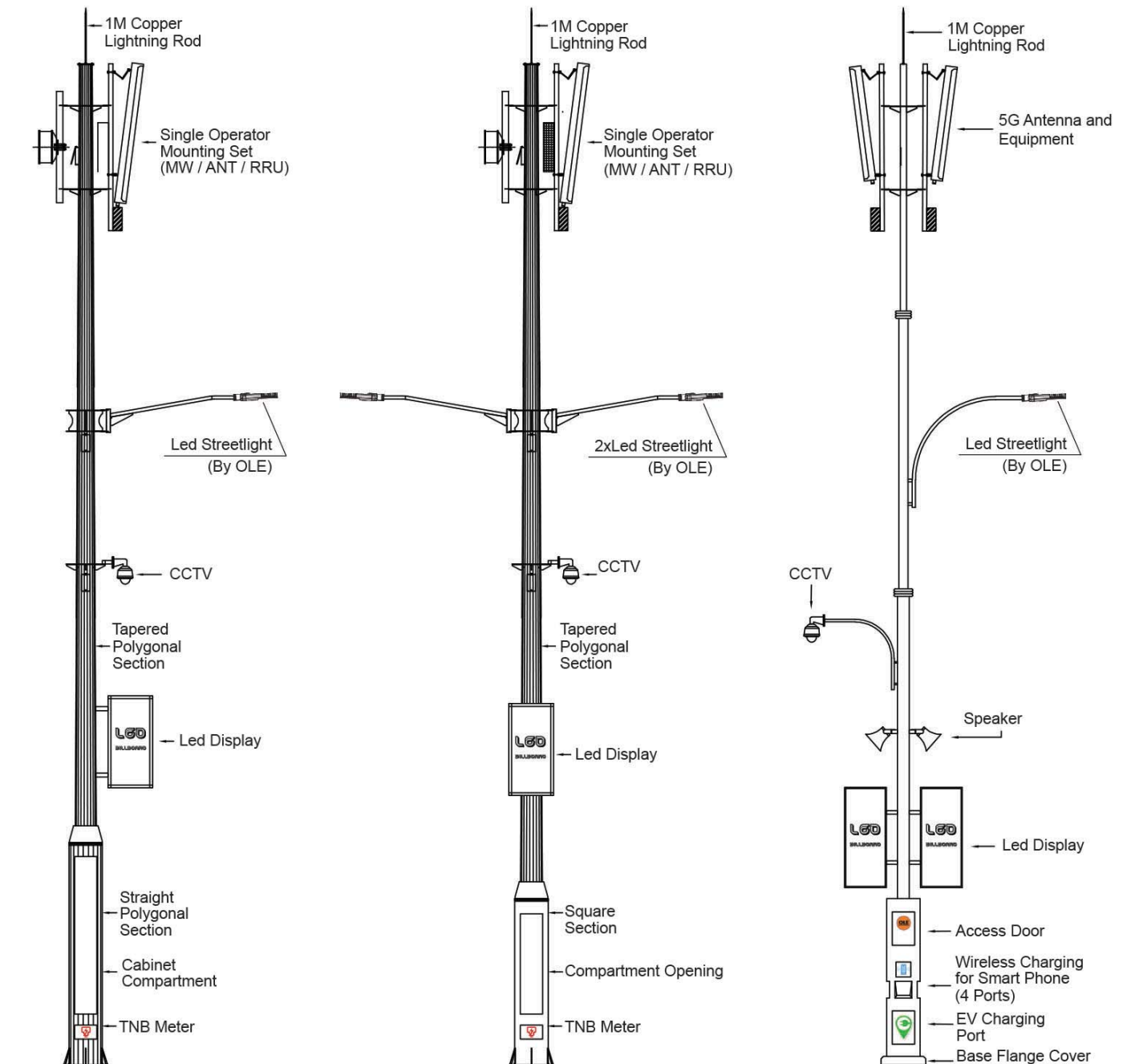
Anchor Bolt
Grade 6.6



Base Flange
With Stiffeners

An integrated solution for smart urban infrastructure, the Smart Pole is engineered to support a range of digital technologies within a single, sleek structure. It combines lighting, surveillance, connectivity, and environmental monitoring to enhance safety, efficiency, and sustainability in modern cities.

Ideal for deployment in smart cities, urban centers, commercial zones, highways, transit hubs, and public spaces requiring advanced monitoring and communication features.



Meranti Smart Monopole

Gaharu Smart Monopole

Cendana Smart Monopole



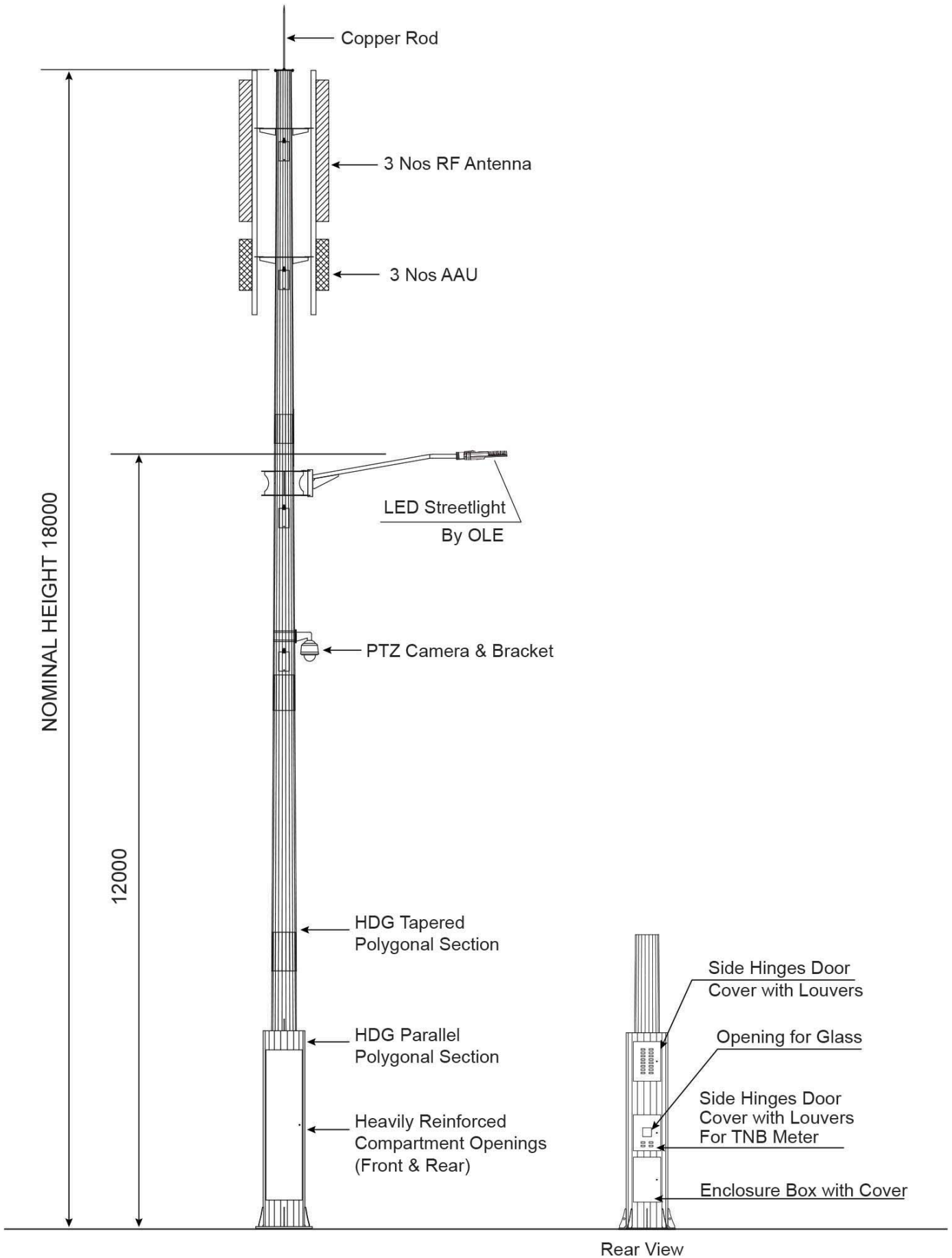
► Cyberjaya, Selangor

Application

A space-efficient vertical structure designed for mounting telecommunication equipment such as 4G/5G antennas, microwave dishes, and IoT devices. Ideal for deployment in urban areas, industrial zones, highways, and remote locations, offering high structural integrity with minimal land footprint.

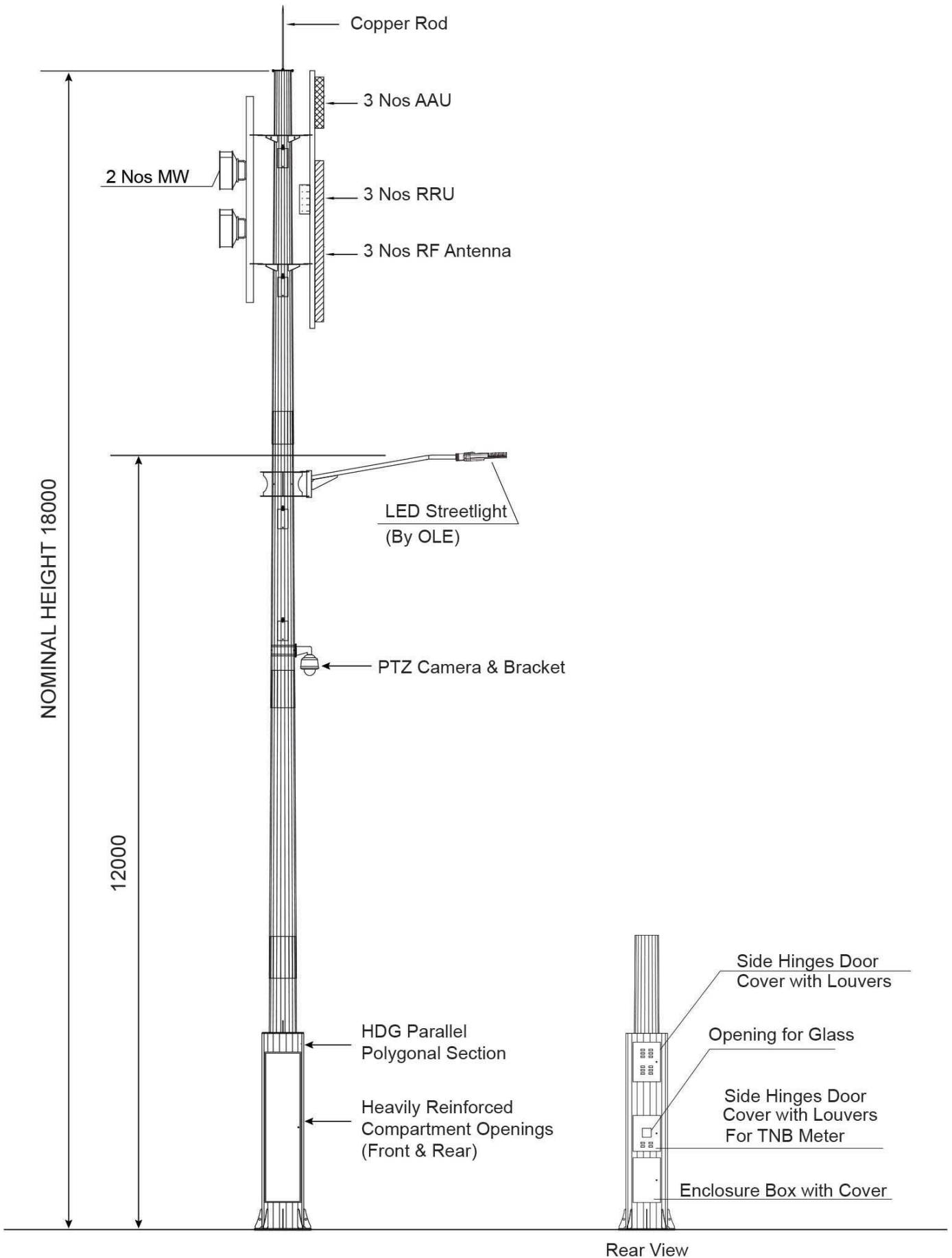
TELECOMMUNICATION POLE

Smart Pole | 4G & 5G Monopole



TELECOMMUNICATION POLE

Smart Pole | 4G & 5G Monopole





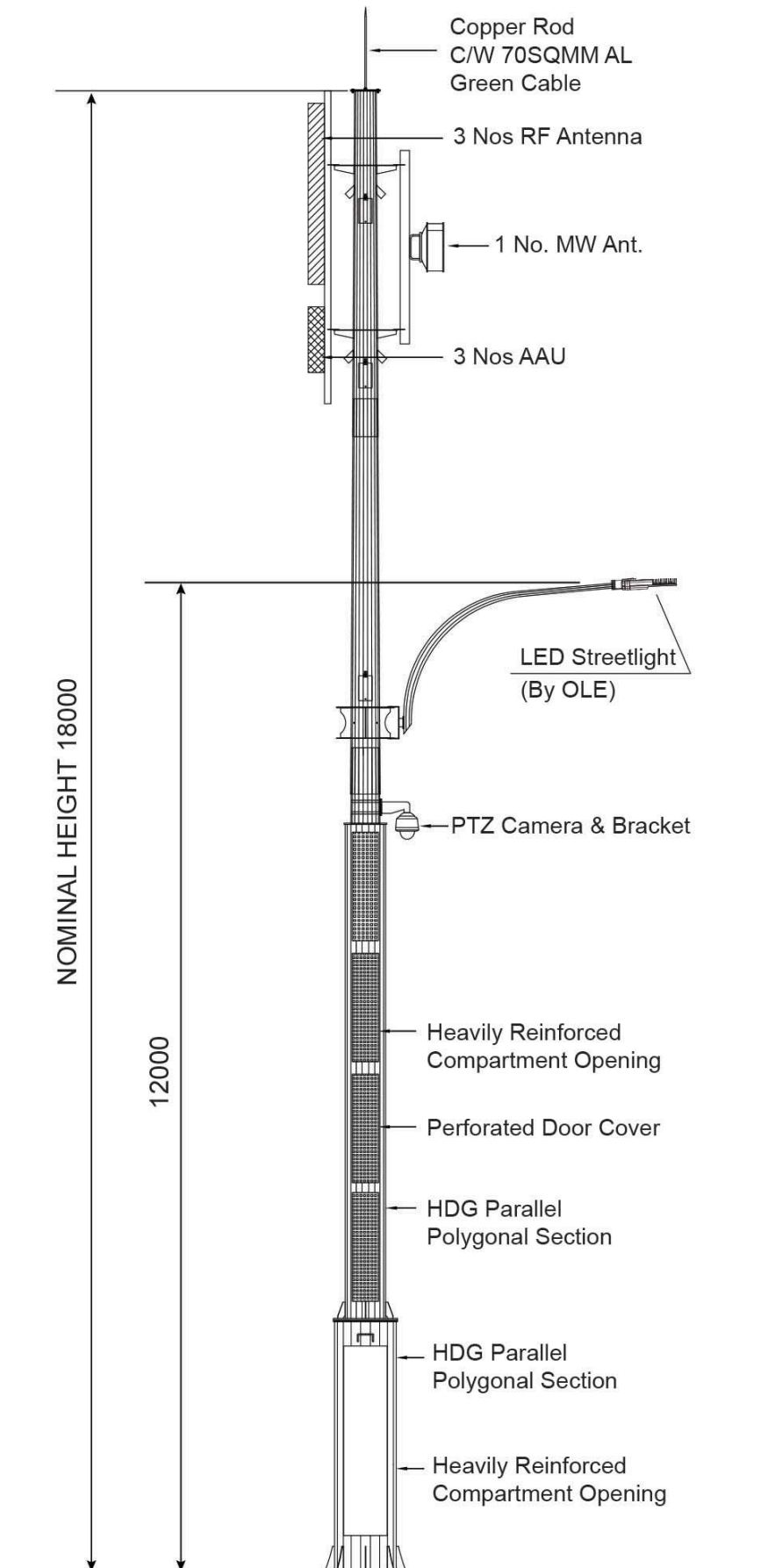
► Jalan Cassia Selatan, Pulau Pinang

Application

A space-efficient vertical structure designed for mounting telecommunication equipment such as 4G/5G antennas, microwave dishes, and IoT devices. Ideal for deployment in urban areas, industrial zones, highways, and remote locations, offering high structural integrity with minimal land footprint.

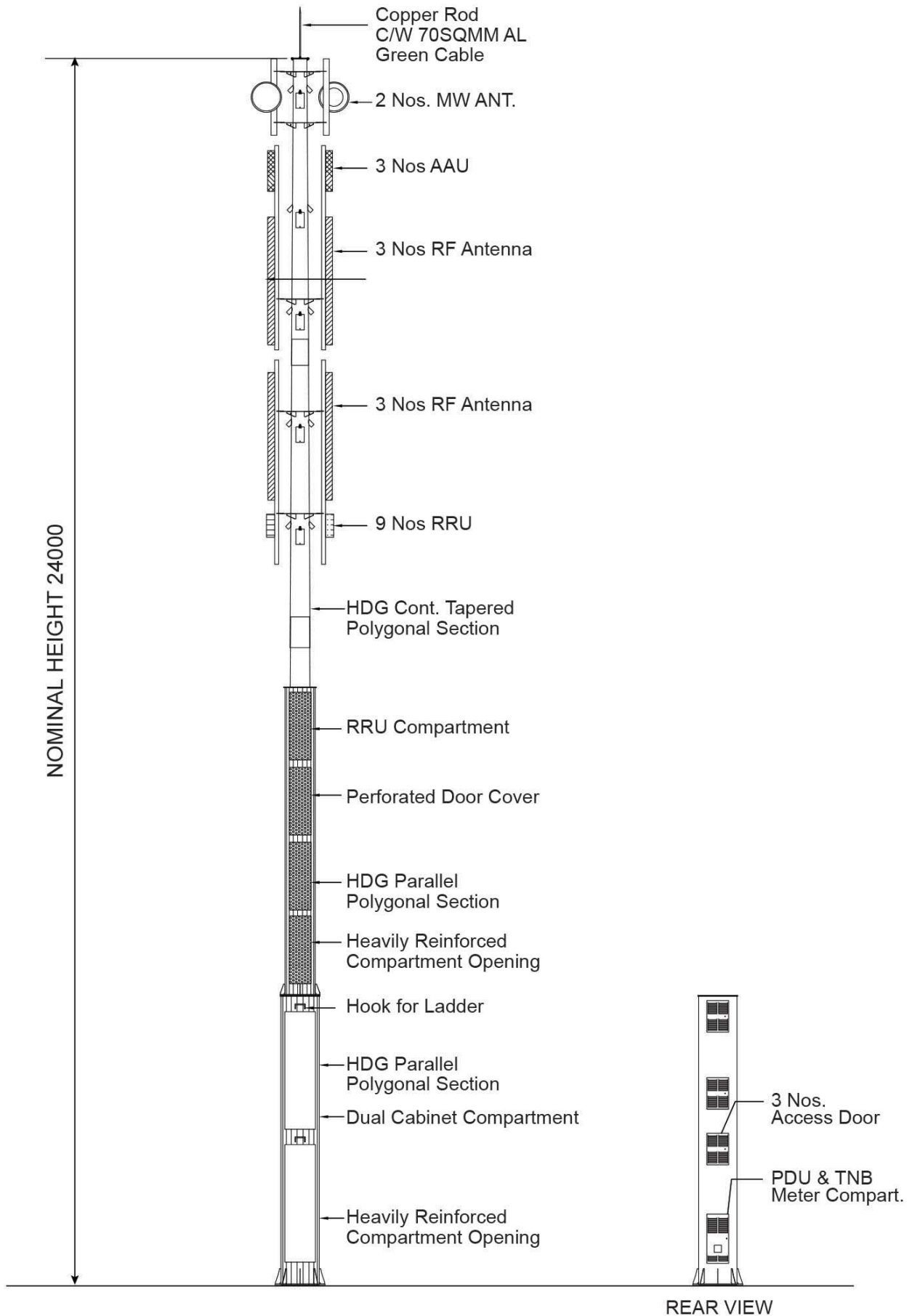
TELECOMMUNICATION POLE

Smart Pole | 4G & 5G Monopole



TELECOMMUNICATION POLE

Smart Pole | 4G & 5G Monopole



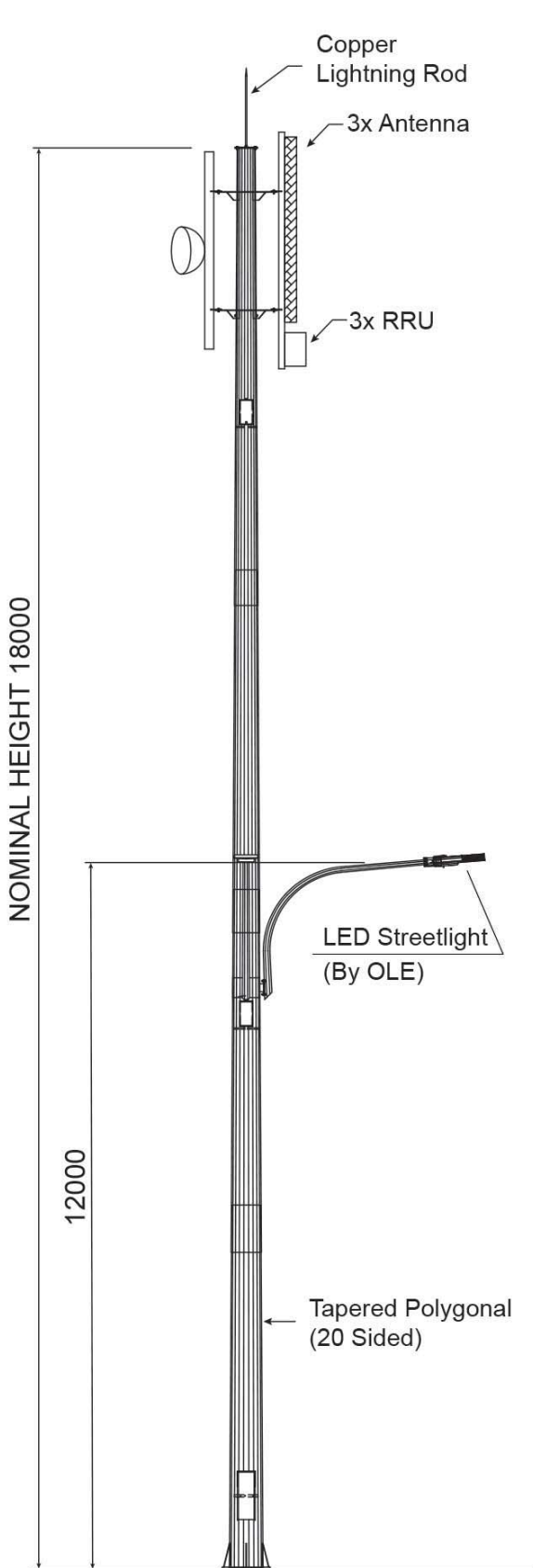


► Jalan Damai Budi, Kuala Lumpur

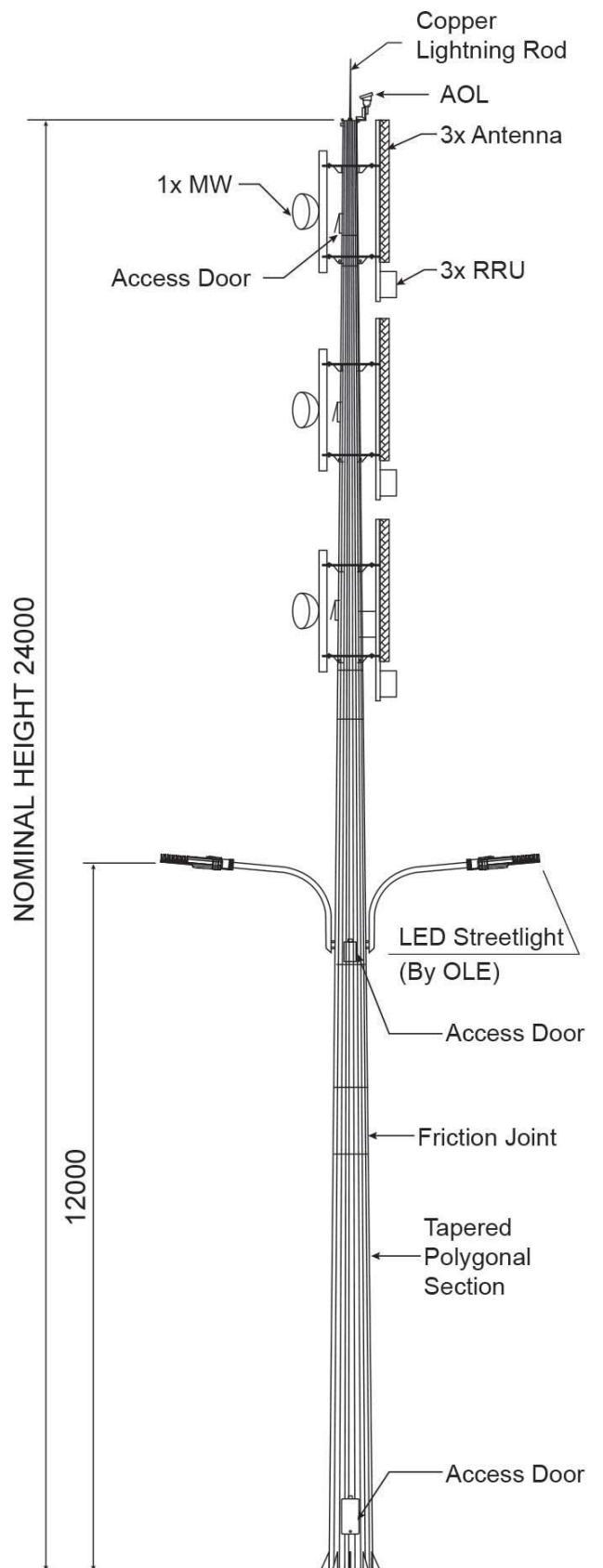
Application

A space-efficient vertical structure designed for mounting telecommunication equipment such as 4G/5G antennas, microwave dishes, and IoT devices.

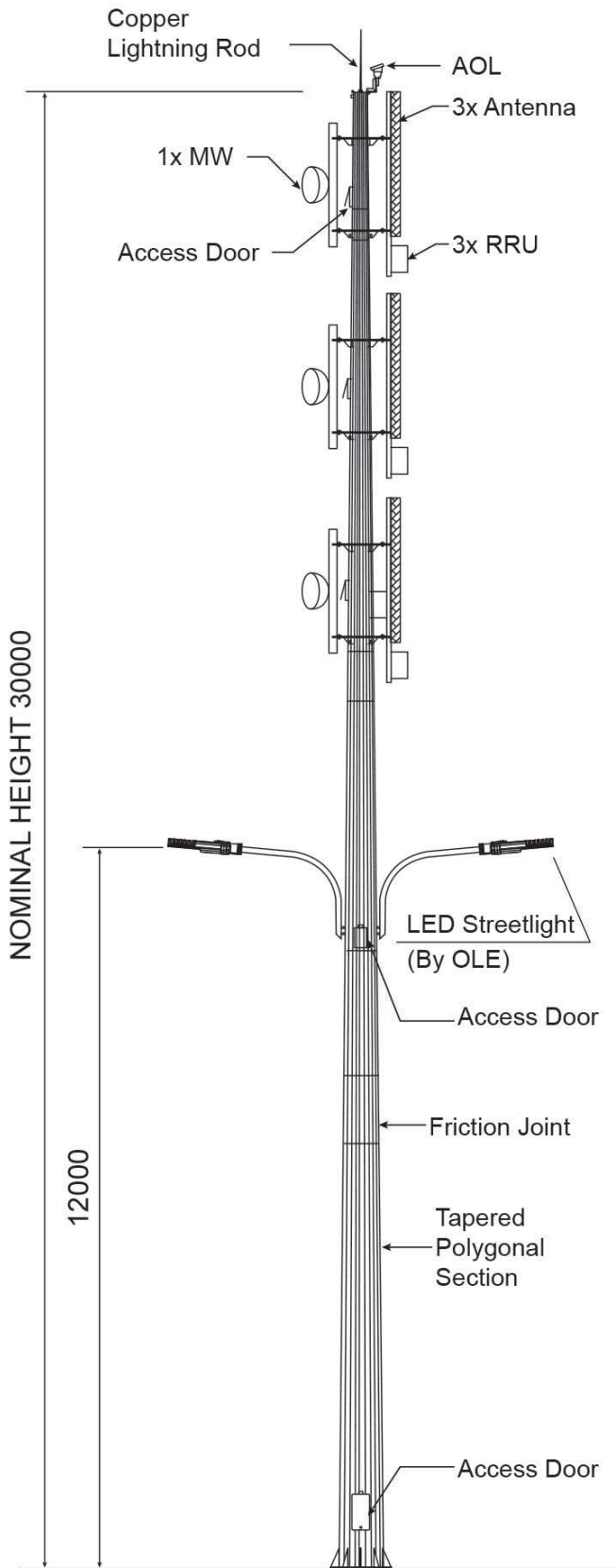
Ideal for deployment in urban areas, industrial zones, highways, and remote locations, offering high structural integrity with minimal land footprint.



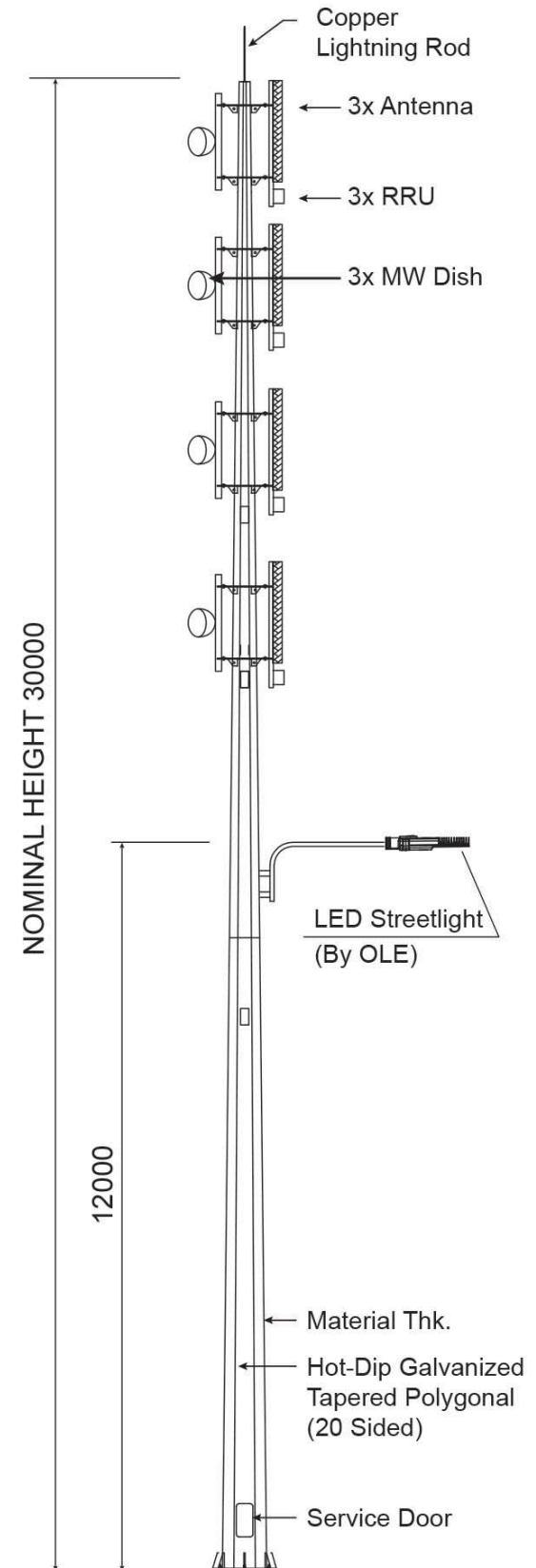
18M Monopole 1 Station



24M Monopole 3 Station



30M Monopole 3 Station



30M Monopole 4 Station



► Kepala Batas, Pulau Pinang, Malaysia

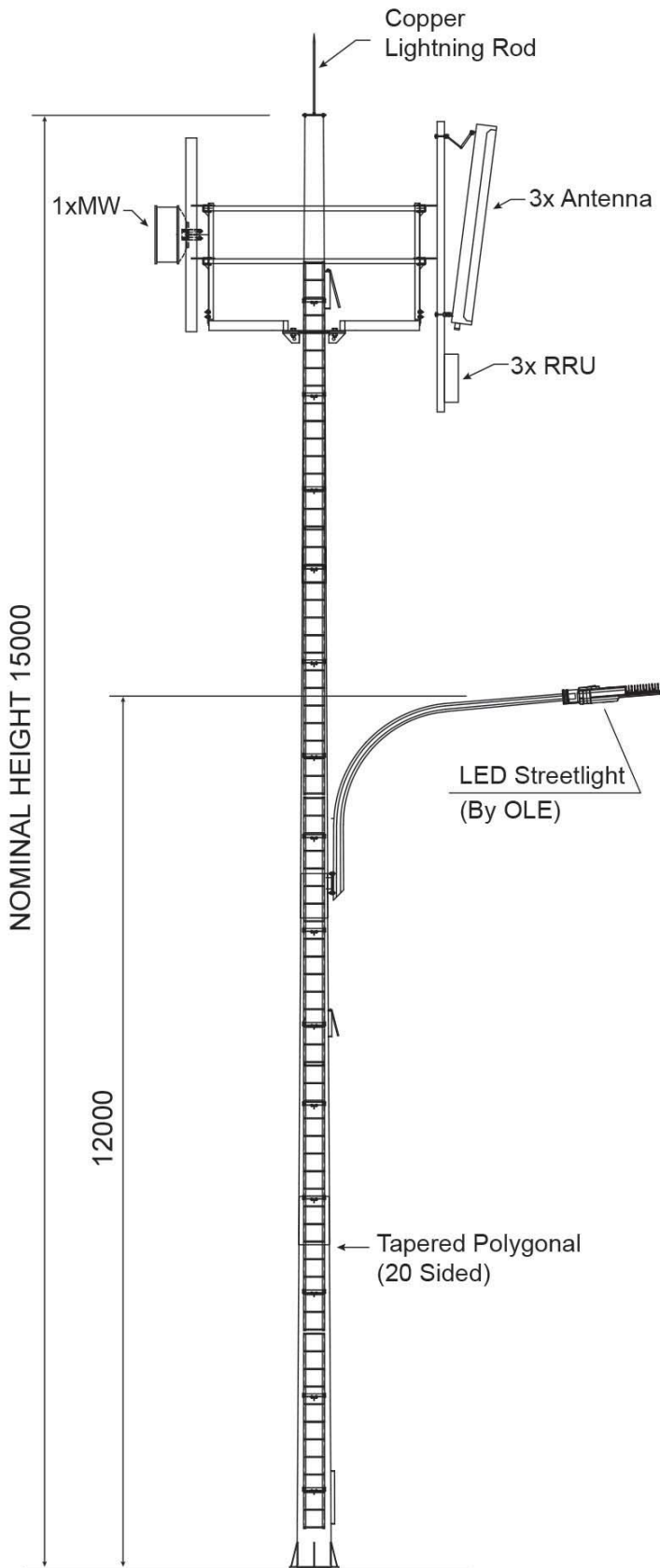
Application

A space-efficient vertical structure designed for mounting telecommunication equipment such as 4G/5G antennas, microwave dishes, and IoT devices.

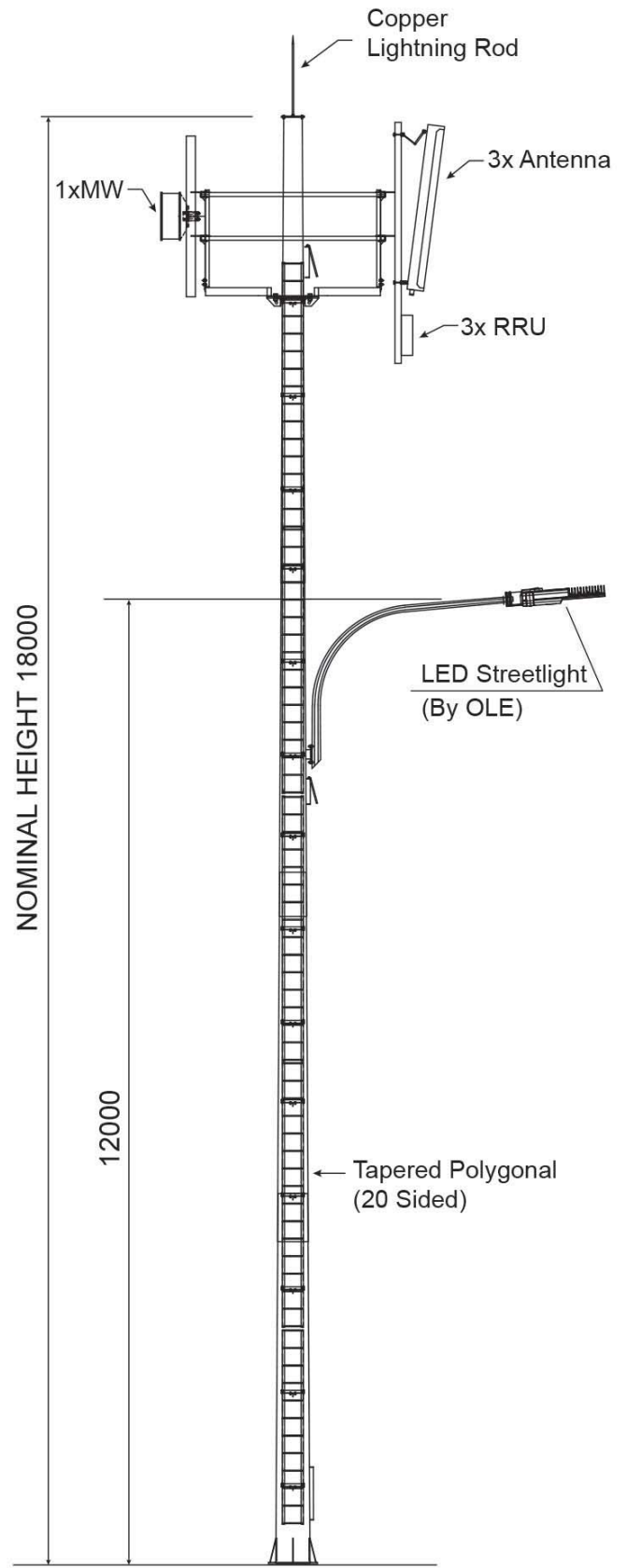
Ideal for deployment in urban areas, industrial zones, highways, and remote locations, offering high structural integrity with minimal land footprint.

TELECOMMUNICATION POLE

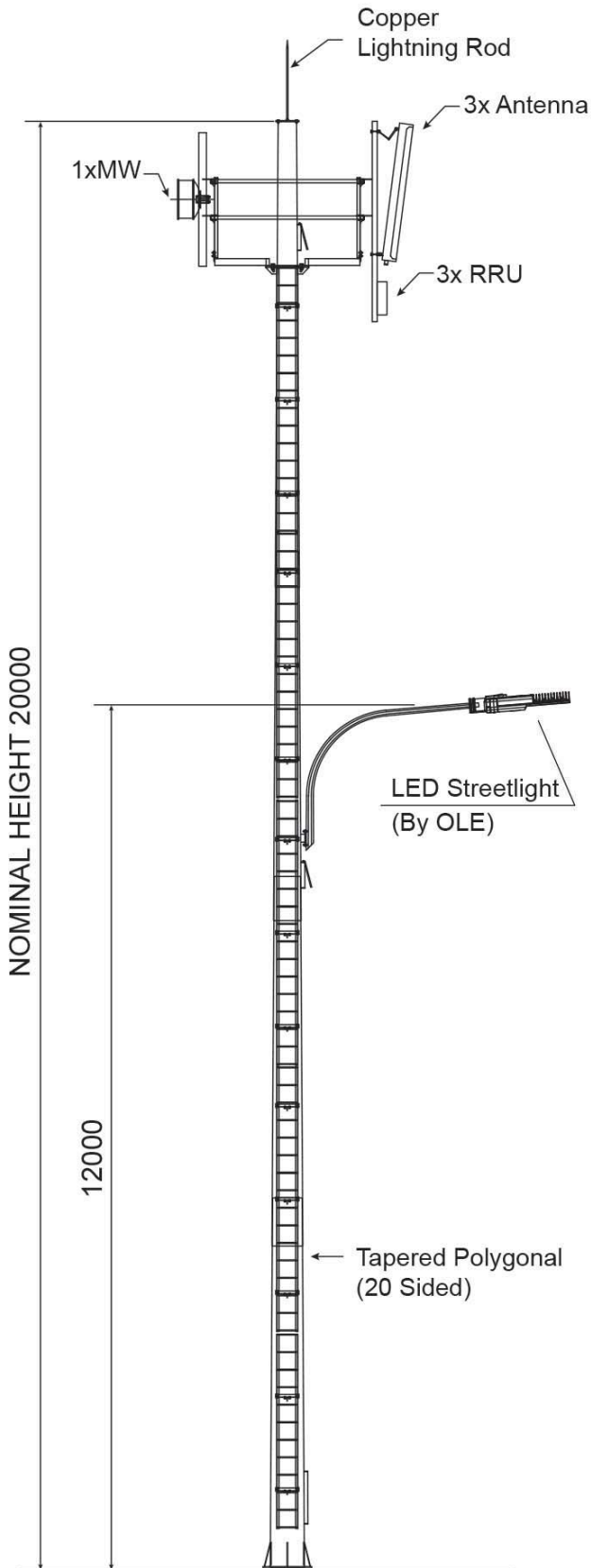
Monopole | Antenna Pole | Climbing-Rung



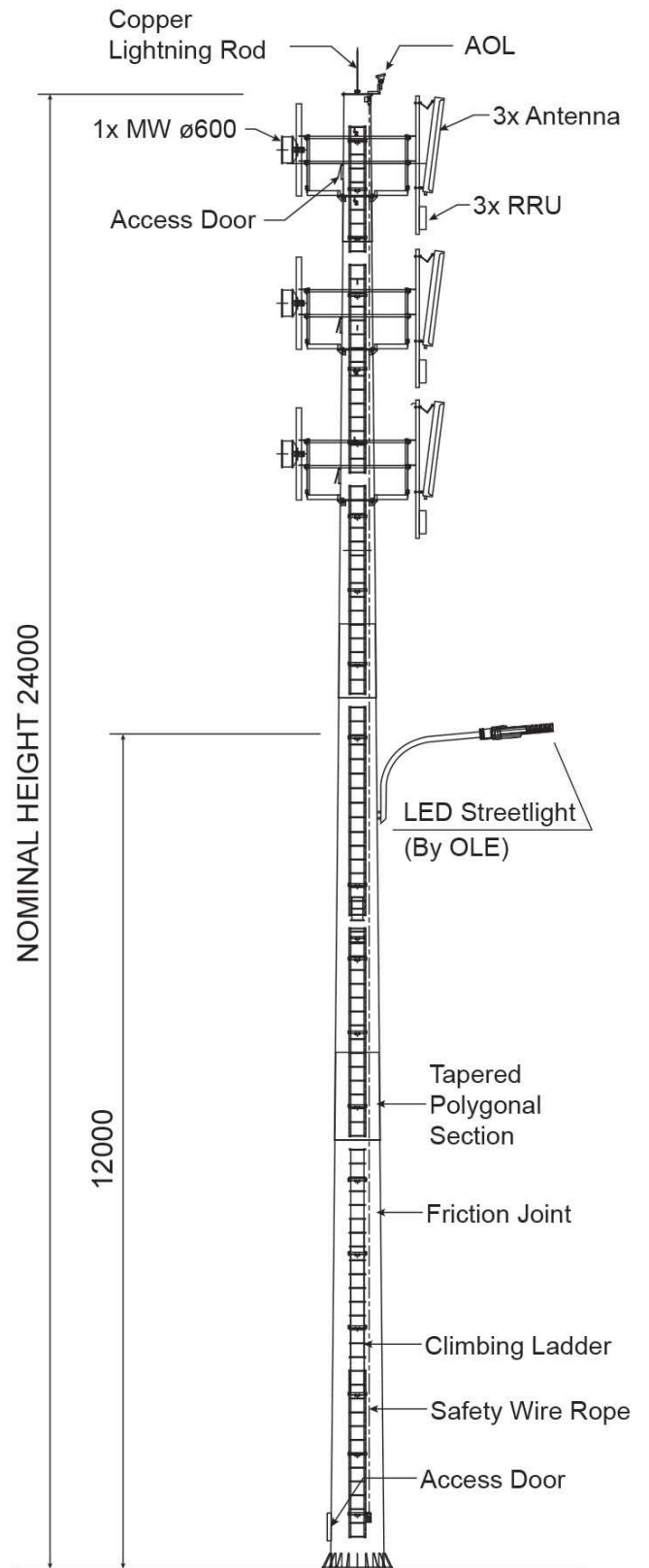
15M Monopole 1 Station



18M Monopole 1 Station



20M Monopole 1 Station



24M Monopole 3 Station



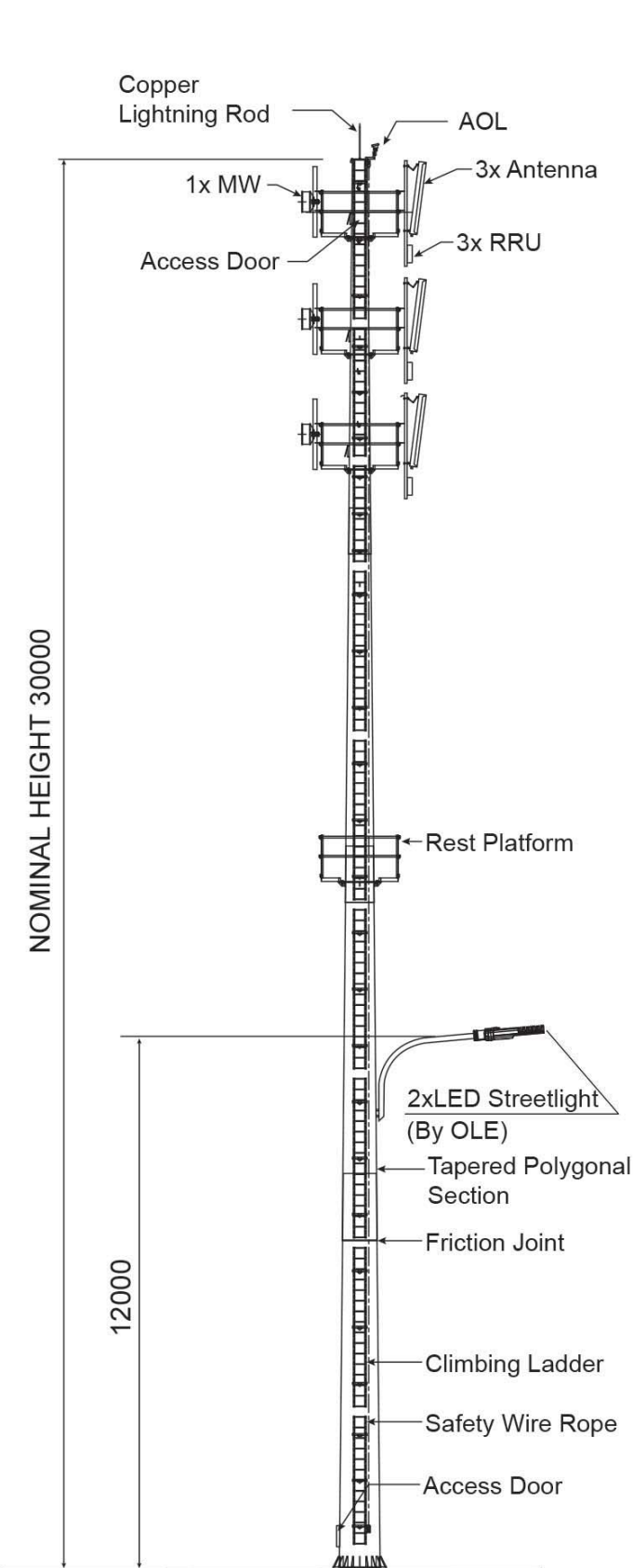
➤ Bukit Jana, Taiping, Perak

Application

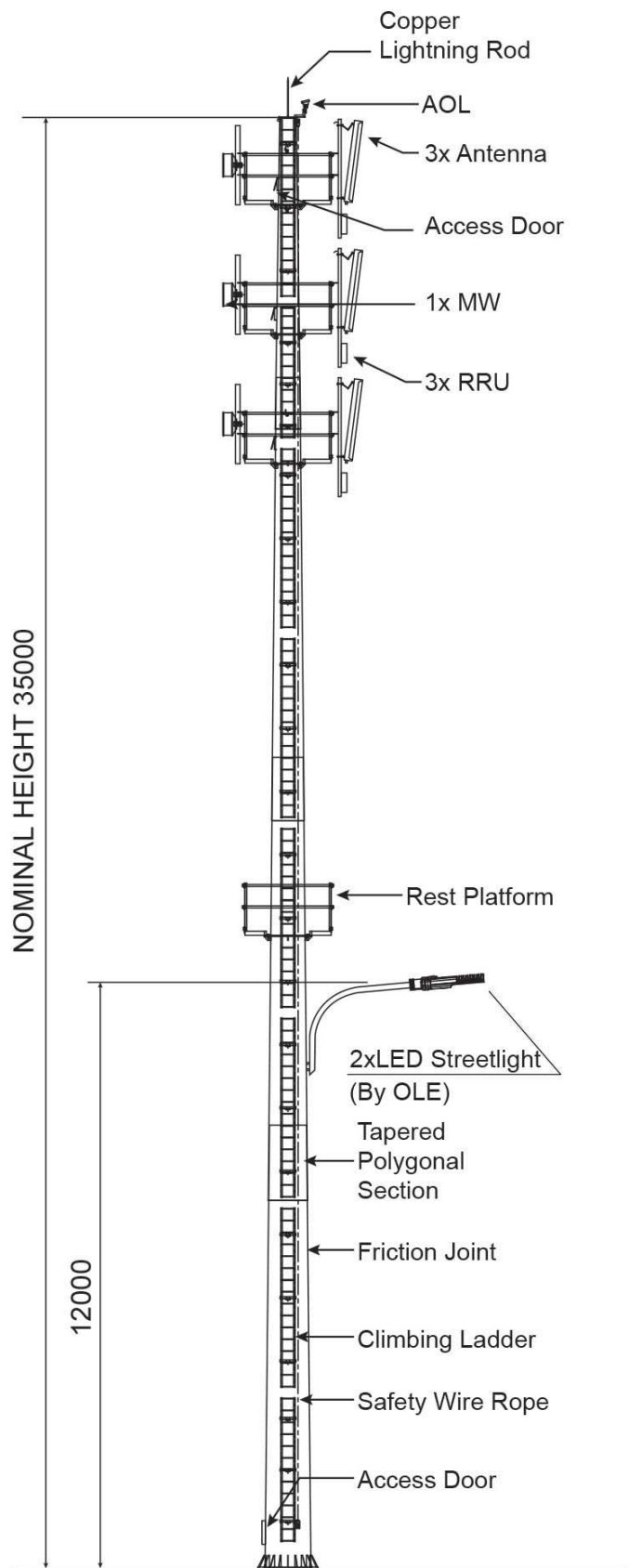
A high-strength monopole antenna pole designed for telecommunication and broadcasting applications, featuring climbing rungs with a rest platform to support safe and efficient maintenance access. Suitable for deployment in urban zones, rural areas, and remote sites, this structure is ideal for mounting 4G/5G antennas, microwave dishes, and other telecom equipment, where secure vertical access is essential.

TELECOMMUNICATION POLE

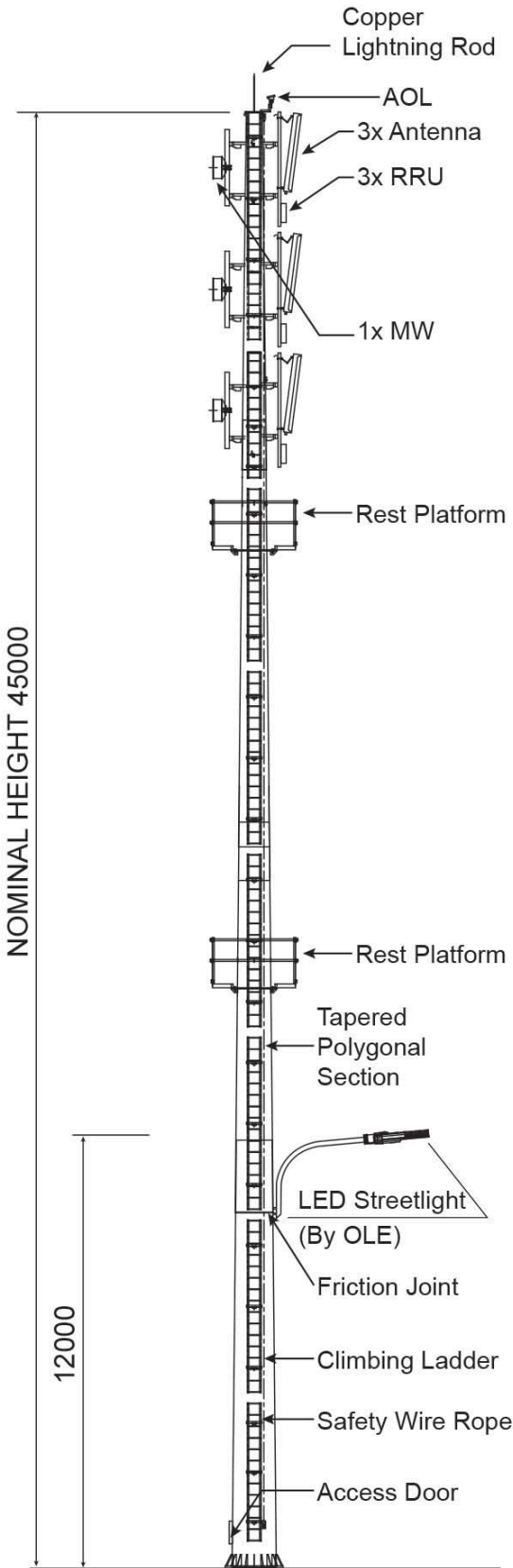
Monopole | Antenna Pole | Climbing Rung with Rest Platform



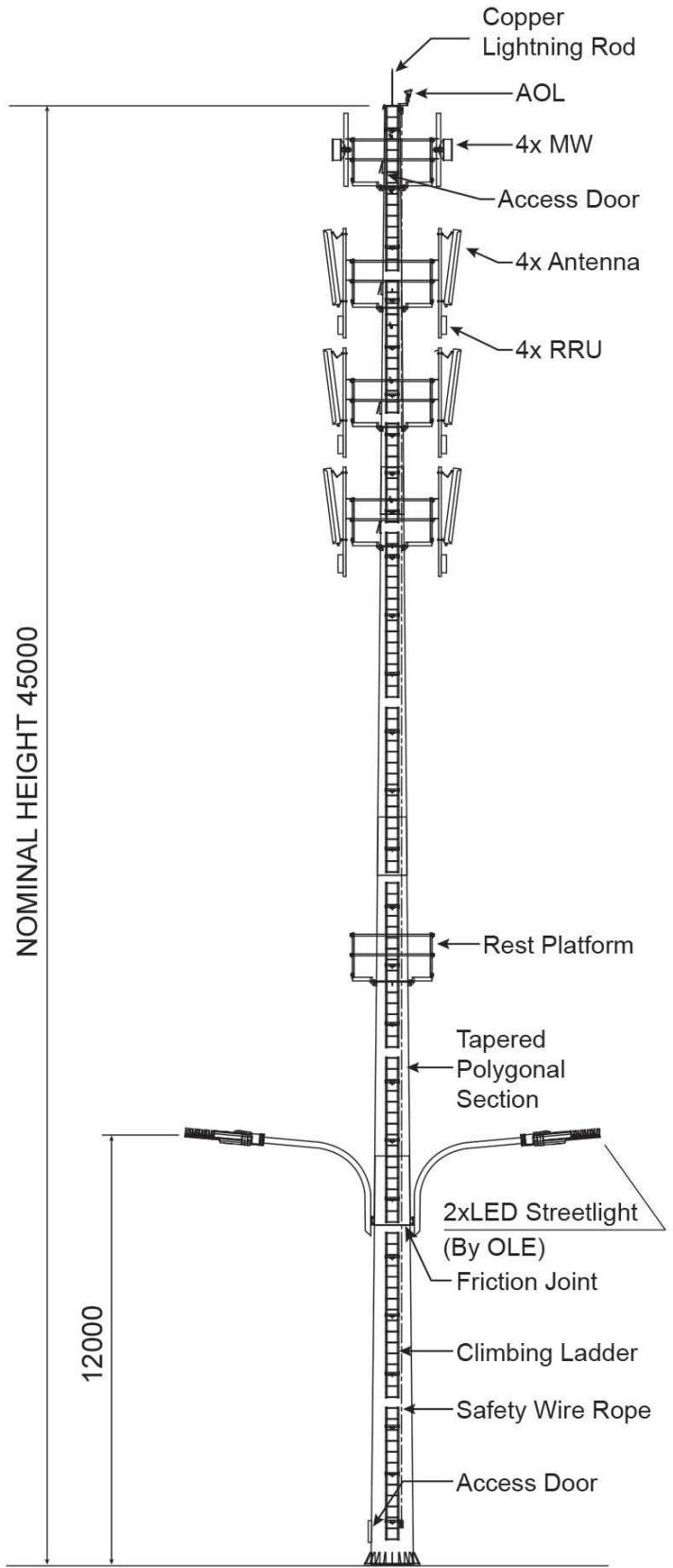
30M Monopole 3 Station



35M Monopole 3 Station



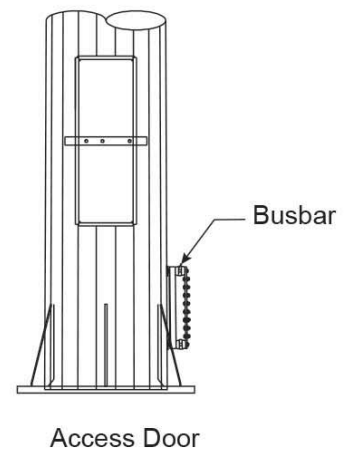
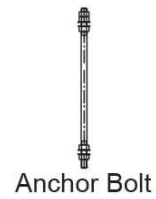
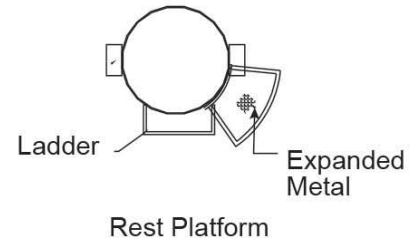
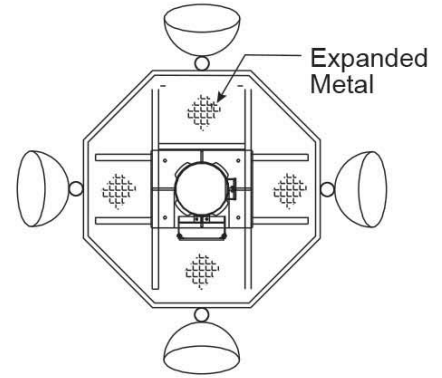
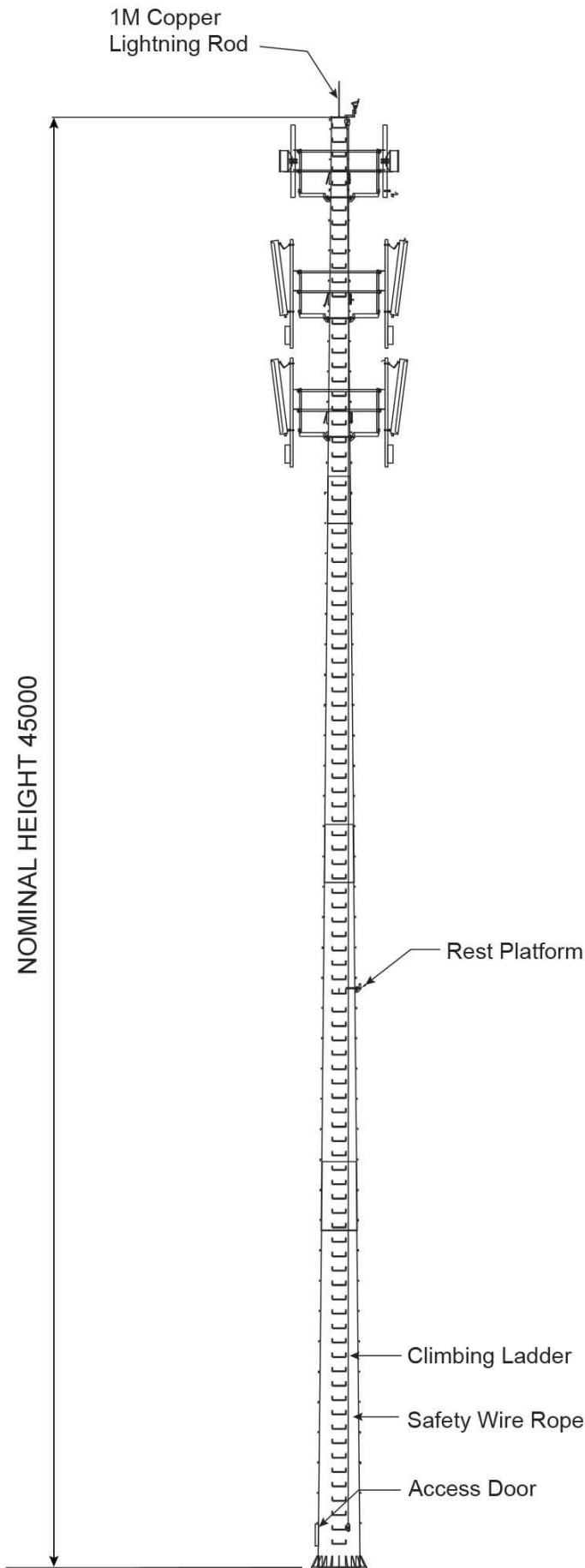
45M Monopole 3 Station



45M Monopole 4 Station

TELECOMMUNICATION POLE

Monopole | Antenna Pole | Climbing Rung with Rest Platform





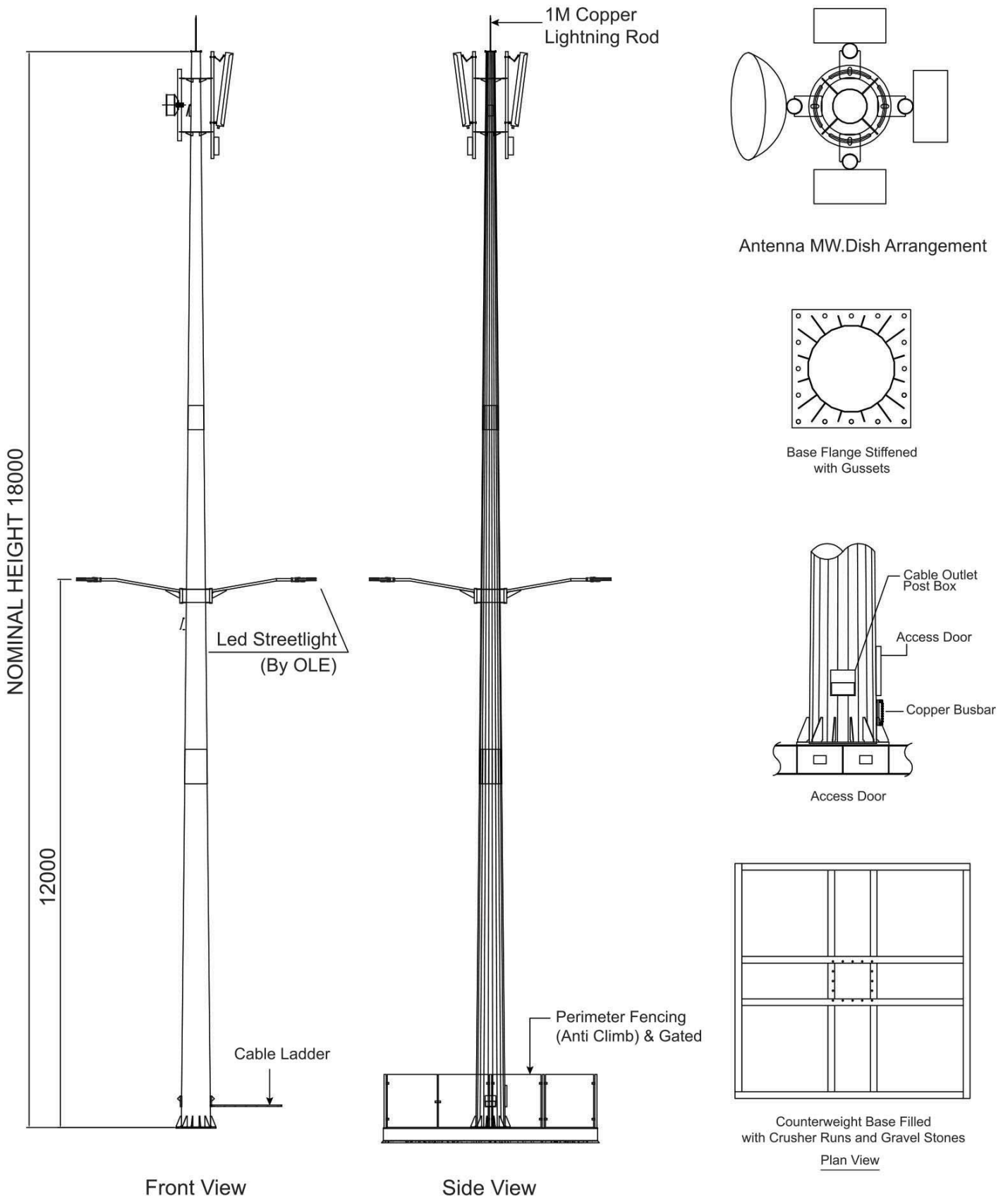
➤ Taman Desa, Kuala Lumpur

Application

Supports 4G/5G antennas, microwave equipment, Wi-Fi/IoT devices, and smart surveillance systems. Ideal for urban, rural, rooftop, highway, and temporary deployment sites.

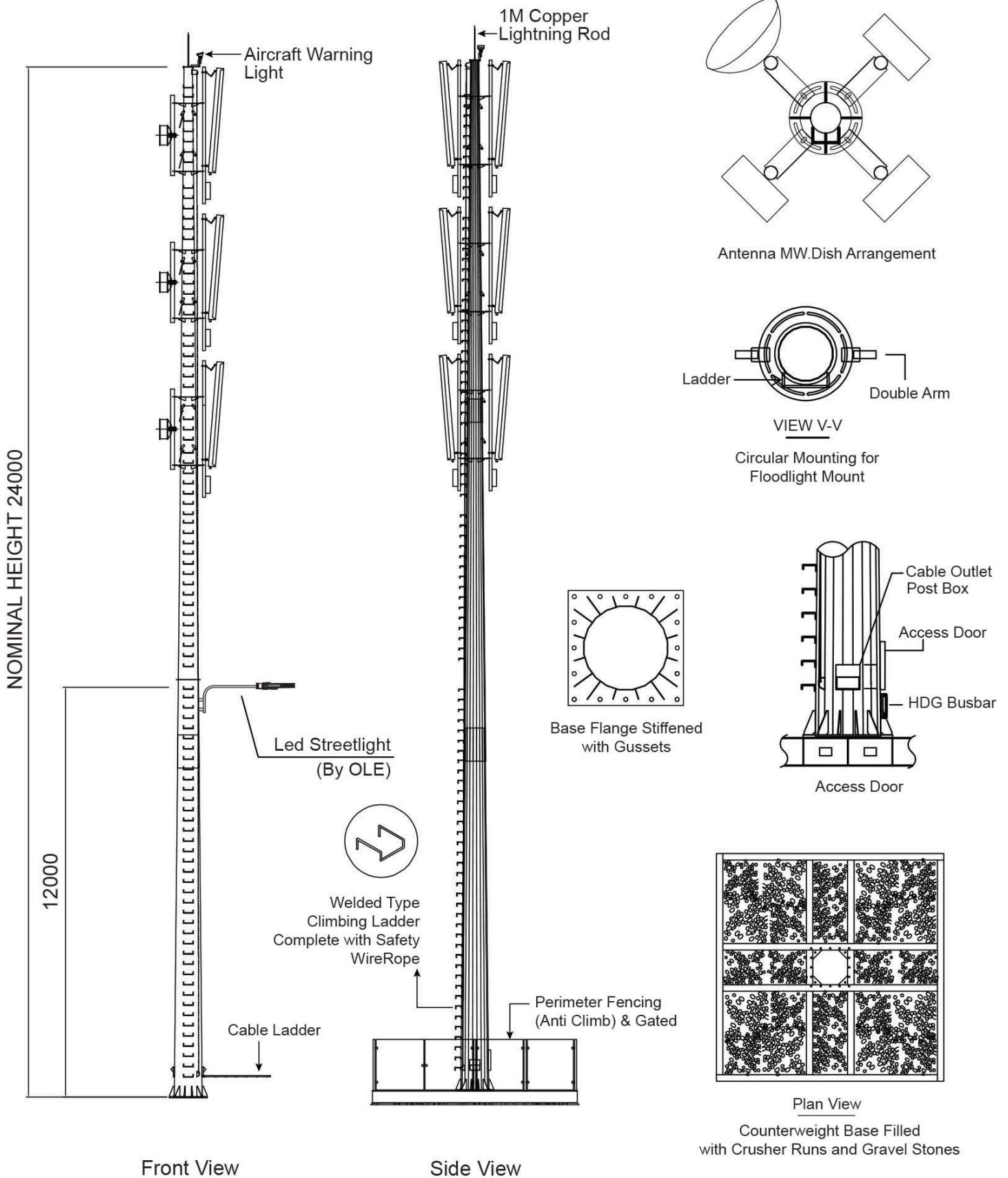
TELECOMMUNICATION POLE

Monopole | Rapid Deployment Structure (RDS)



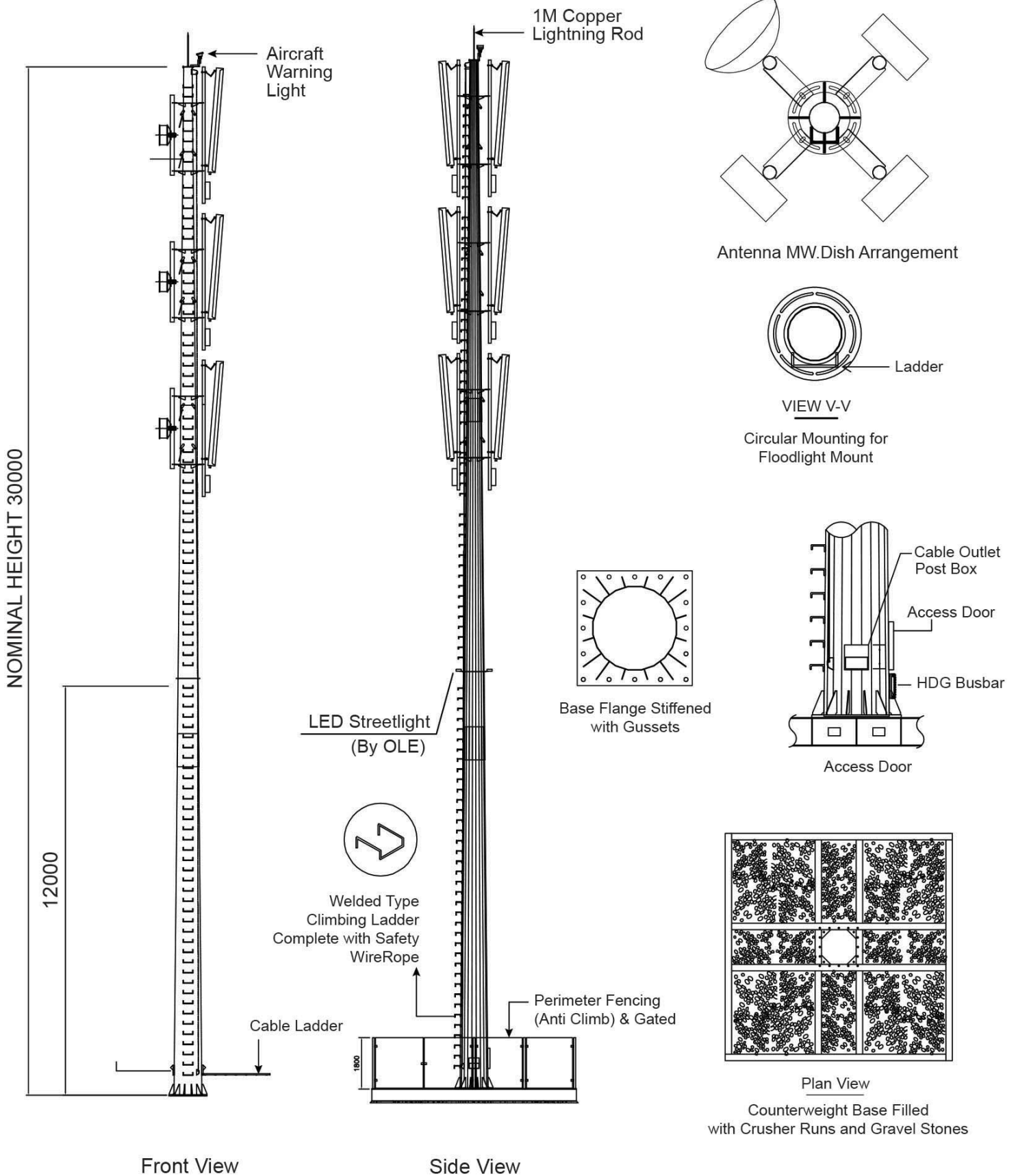
TELECOMMUNICATION POLE

Monopole | Rapid Deployment Structure (RDS)

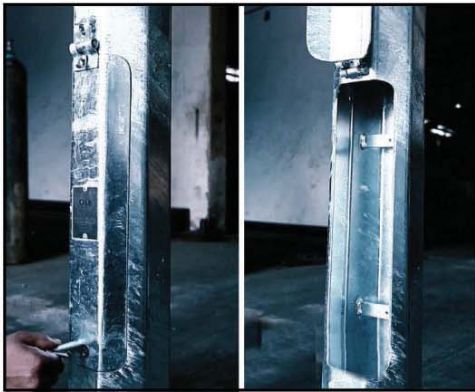


TELECOMMUNICATION POLE

Monopole | Rapid Deployment Structure (RDS)



Single Service Door



Top Pivot Hinge c/w
Single Locking System



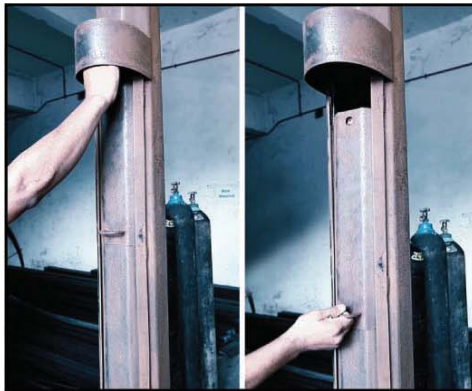
Mid Barrel Hinge c/w
Single Locking System



Mid Barrel Hinge c/w
Double Locking System



Mid Flush Hinge c/w
Double Locking System

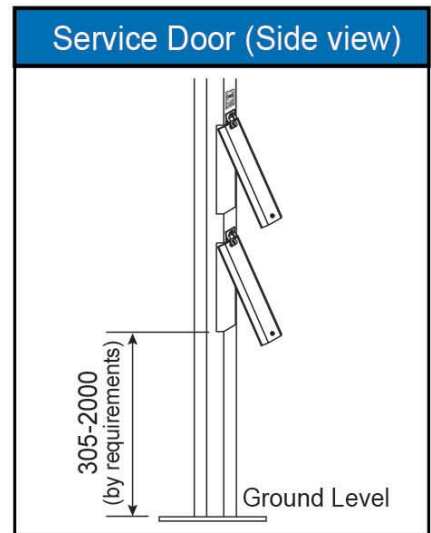
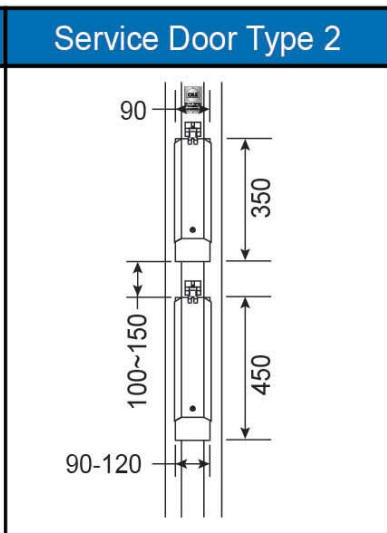
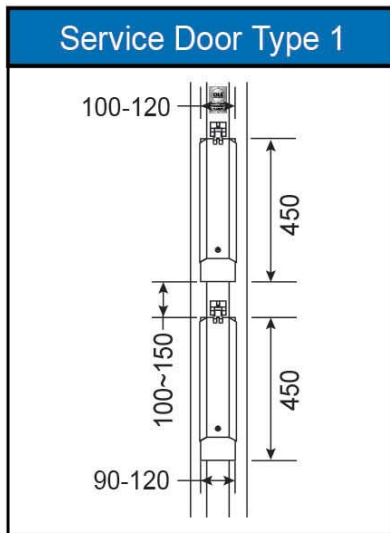


Sliding Service Door
c/w Locking Guard
& Handle



Sliding Service Door
c/w Special Locking
System

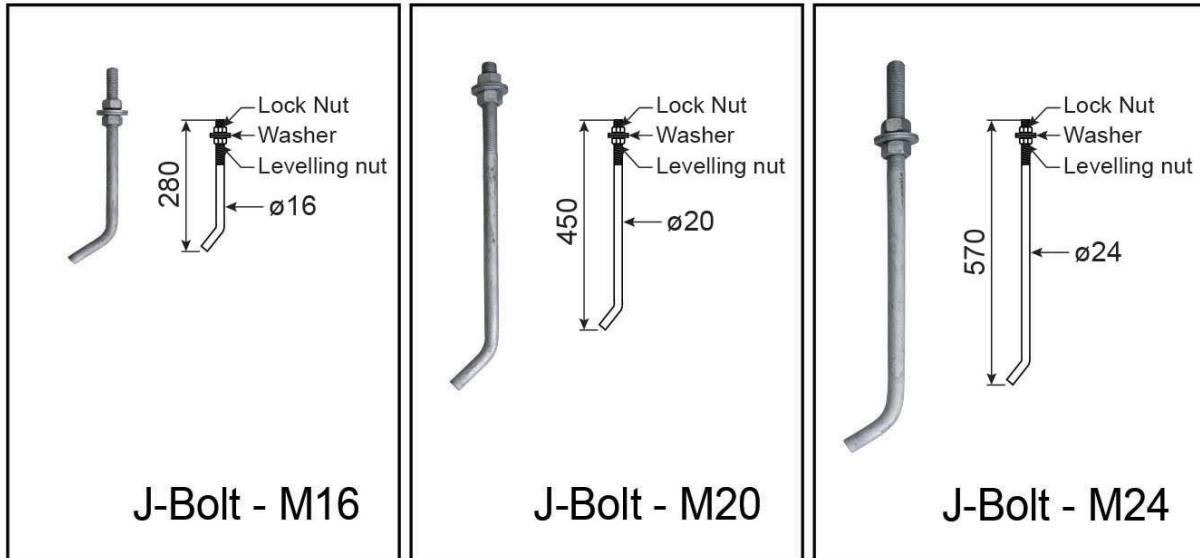
Twins Service Doors



The dimension and height of service doors vary based on the specific design and overall pole height requirements. Custom configurations can be provided upon request.

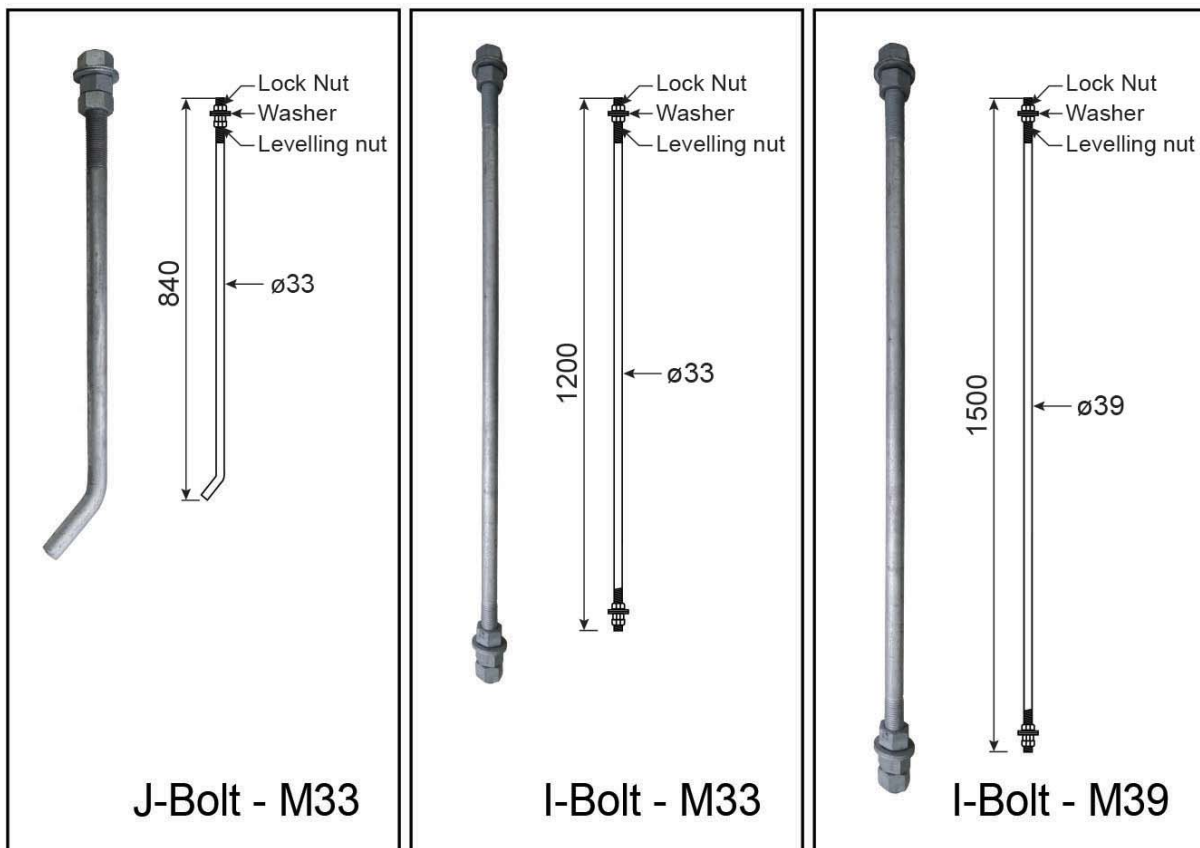
A foundation anchoring system suitable for amenity lighting poles, octagonal poles, decorative poles, and other flange-mounted structures.

Provides secure and stable installation to concrete foundations. Dimensions and specifications are determined based on the pole design and load requirements.



Applicable for heavy-duty poles such as highmast, monopoles/telecommunication poles, and other large flange-mounted structures.

Designed to provide secure anchoring to concrete foundations, with specifications tailored to pole design and load requirements.

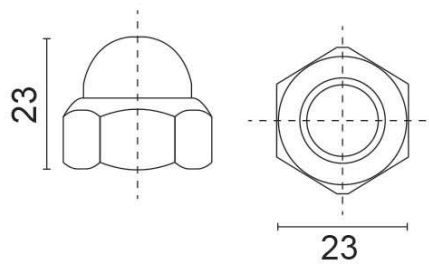


A protective fastener used to cover exposed bolt threads, enhancing safety, durability, and visual appearance in pole installations. The cap nut helps prevent thread damage, reduces the risk of injury, and offers a neat, finished look to exposed joints.

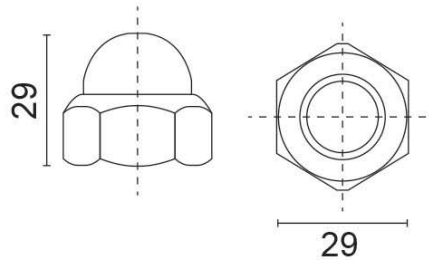
Application

Applicable for amenity lighting poles, octagonal poles, decorative poles, and other structures requiring secure and finished bolt connections.

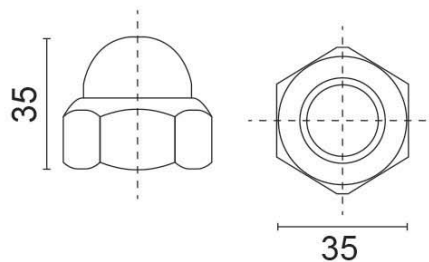
OLE Domed Cap Nuts - M16



OLE Domed Cap Nuts - M20



OLE Domed Cap Nuts - M24





Highmast Pole Stadium
Sultan Sulaiman, Klang, Selangor



Highmast Pole
Tanjung Sepat, Selangor



FlagPole
Klang, Selangor



Floodlight Octagonal Pole
Parking Padang Astaka, Selangor



Floodlight Octagonal Pole
Tennis Court, Kuala Lumpur



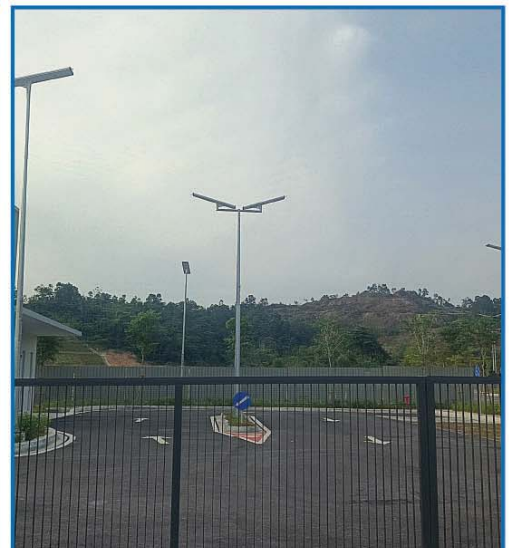
Floodlight Mid-Hinged Pole
Stadium MPKJ, Bandar Baru Bangi, Selangor



Street Lighting Mid-Hinged
Shah Alam, Selangor



Solar Street Lighting Mid-Hinged
Johor



Solar Street Lighting Mid-Hinged
Kota Emerald, Selangor



Solar Octagonal Pole
Banting, Selangor



Solar Octagonal Pole
Kota Emerald, Selangor



Solar Octagonal Pole
Masjid Tanah, Melaka



Solar Octagonal Pole
Jalan Parit Raja Darat, Johor



Solar Octagonal Pole
Sg. Karas, Labis, Johor



Solar Octagonal Pole
Cheras, Selangor



Octagonal Pole
WP27 - Pan Borneo Highway, Sabah



Octagonal Pole
The Henge, Kepong, Kuala Lumpur



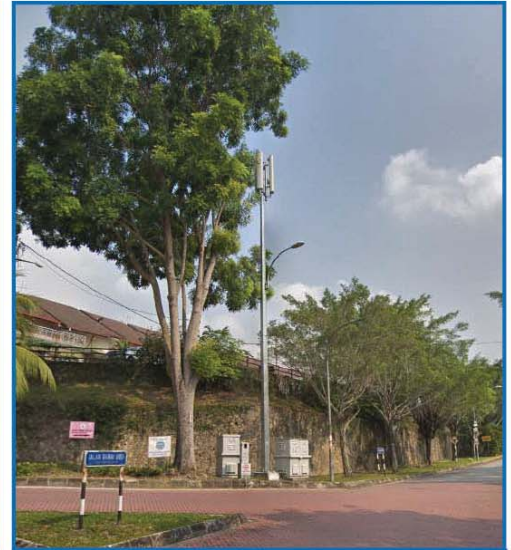
Octagonal Pole
Majestic Sanctuary, Rawang, Selangor



Monopole
Taman Melati, Taiping, Perak



Monopole
Pengkalan Hulu, Perak



Monopole
Jalan Damai Budi, Kuala Lumpur



Monopole
Seri Kembangan, Selangor



Smart Pole | Monopole
Taman Kepong, Kuala Lumpur



Smart Pole | Monopole
Kuchai Entrepreneurs Park, Kuala Lumpur



Smart Pole | Monopole
Persiaran Gurney, Pulau Pinang



Smart Pole | Monopole
Jalan Kelawai, George Town, Pulau Pinang



Smart Pole | Monopole
Cyberjaya, Selangor

2026 - 2027

INTELLIGENT POLE



SINCE 1993

OVERSEA LIGHTING & ELECTRIC (M) SDN. BHD. (272782-K)

LED Factory

Lot 6595, Jalan KPB 12B,
Kawasan Industri Kampung Baru Balakong,
43300 Seri Kembangan,
Selangor Darul Ehsan, Malaysia.

Tel: 603-8964 1878, 8964 1888, 8964 1899

Fax: 603-8964 1868

Email: info@oversealighting.com

Website: www.oversealighting.com

Pole Factory

PT3481 (Lot996), Jalan Sungai Lalang Batu 22 1/2,
43500 Semenyih, Selangor Darul Ehsan, Malaysia.

Oversea Lighting & Electric (M) Sdn Bhd reserves the right to make changes in specifications and/or to discontinue any product at any time without notice.

Edition 2026 (Vol. 2)