

OLE can provide 7-10 years warranty

OLE LED HYBRID



FEATURES

- Input voltage: 220V~240V / Universal input
- Lumen Maintenance: L90 @ 60,000 hours
- Working Temperature: -25°C ~ 50°C
- Storage Temperature: -25°C ~ 80°C
- Power Factor: >0.95 at Full Load

MATERIALS

- Casing material: Die-Cast Aluminum ADC12, Powder-Coated Finishing
- Cover: 5mm Tempered Glass
- Driver: Dimmable, Programmable & DALI Compatible 1~10V (Optional)
- NEMA Socket: Support NEMA, ZIGBEE, PLC, LORA Smart Lighting System (Optional)

IP
66

IK
09

CRI
>70-80

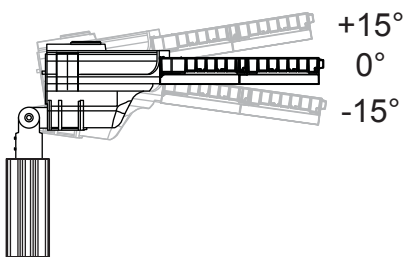
5
years warranty

Specification

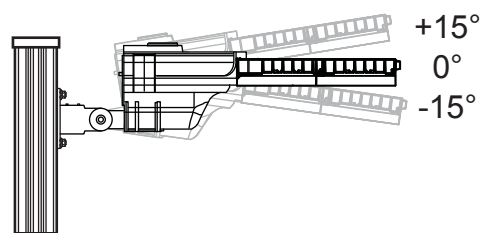
Model No.	Normal Mode		Emergency Mode				Weight	CCT	Efficacy	
	Power	Lumen	Power	Lumen	Battery					Dimming
					1 Day Autonomy	2 Days Autonomy				
LED Hybrid 120W/90W	120W	15360 lm	90W	11520 lm	12V 80AH	24V 80AH	6hrs 100% 2hrs 60% 4hrs 40%	13kg	<3500K	128 lm/w
		15840 lm		11880 lm					4000K	132 lm/w
		16320 lm		12240 lm					5000K	136 lm/w
		16800 lm		12600 lm					6000K	140 lm/w
LED Hybrid 180W/120W	180W	25020 lm	120W	16680 lm	12V 100AH	24V 100AH	6hrs 100% 2hrs 60% 4hrs 40%	16.8kg	<3500K	139 lm/w
		25560 lm		17040 lm					4000K	142 lm/w
		26280 lm		17520 lm					5000K	146 lm/w
		27180 lm		18120 lm					6000K	151 lm/w

Type of installation on pole mounting

Support adjustable spigot adaptor, optional for angle adjustment, applicable both Post-Top and Side-Entry mounting




Post-Top Position





Side-Entry Position

Construction of OLE LED Hybrid



- 
1

Normal LED Module powered by electricity
- 
2

BATTERY
Separated construction LED module is battery-powered, it uses as backup illumination when there is electricity disruption
- 
3

Smart control for dimming
NEMA socket : Support NEMA, ZIGBEE, LORA smart lighting system (optional)
- 4

Casing material pressure casted aluminum ADC12, powder-coated finishing
- 5

Adjustable spigot

Specification

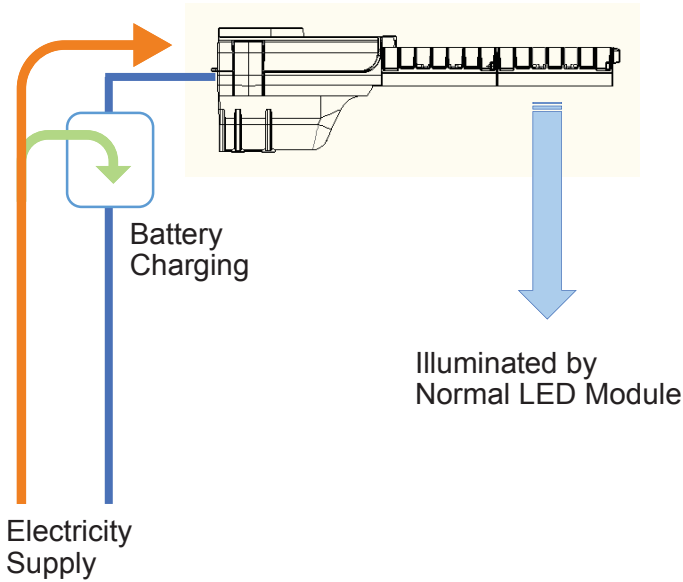
Model No.	Battery Capacity	Battery Size	Enclosure	Total Weight
LED Hybrid 120W/90W	12V 80AH, 2pcs	260L*168W*213H x 2pcs	400W x 450H x 230D mm	58kg
LED Hybrid 180W/120W	12V 100AH, 2pcs	329L*172W*214H x 2pcs	400W x 450H x 230D mm	70kg



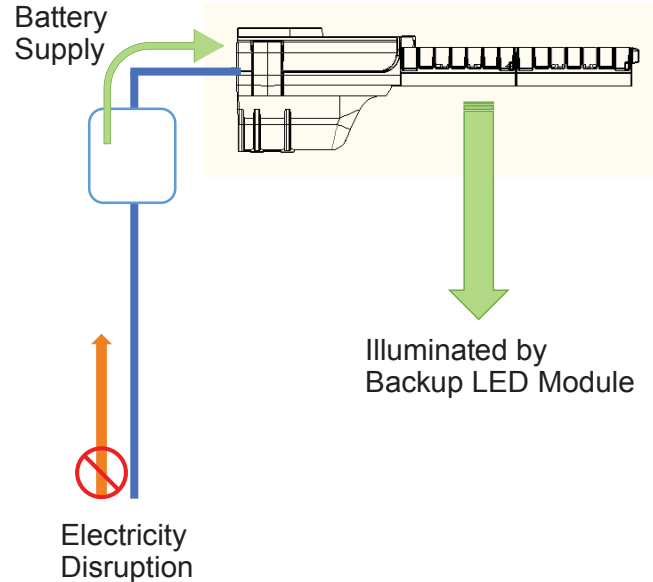
Mode of Operation



Normal Mode

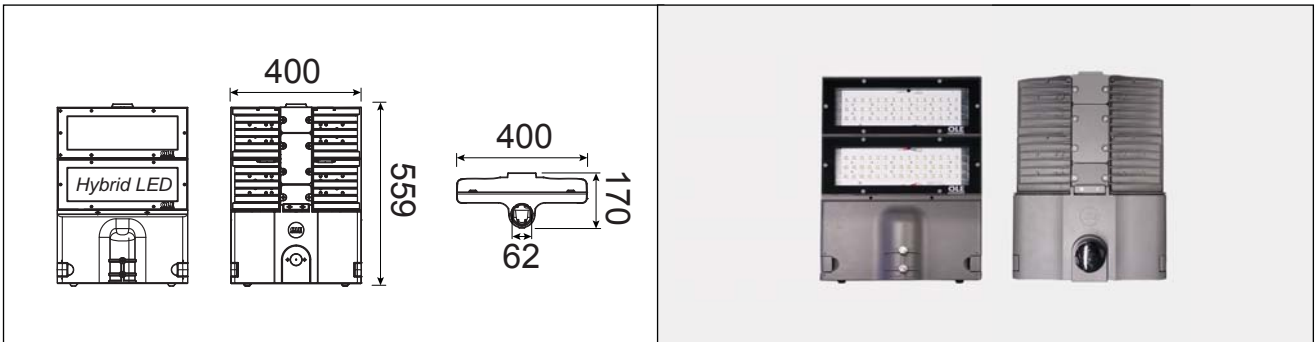


Emergency Mode
(Backup Module Illuminate, while electricity disruption occur)

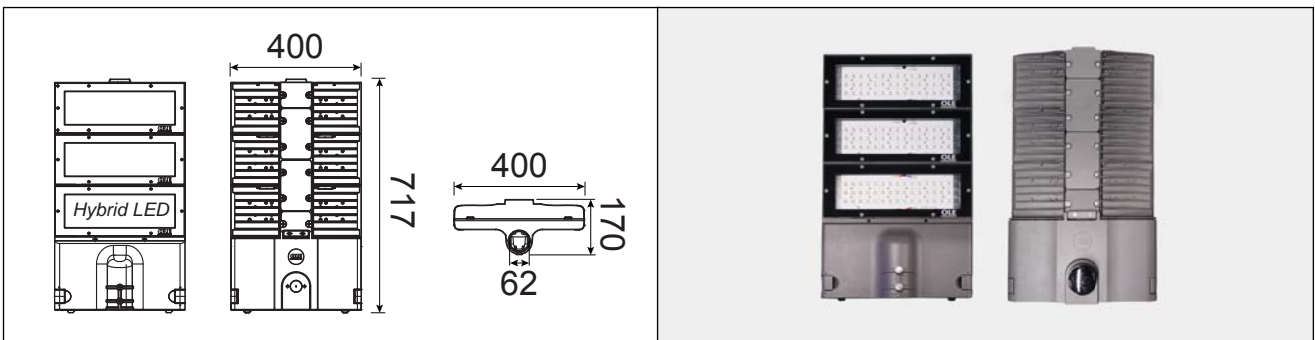


Dimension

OLE LED HYBRID 120W / 90W



OLE LED HYBRID 180W / 120W



**Suitable for both 48mm & 60mm spigot adaptor*