

JKC-R-40W Integrated Solar LED Floodlight/ Street Light

(2 days autonomy)



Casing Material

Aluminium Alloy

Dimming System

4H 100% + 2H 60% + 6H 40%

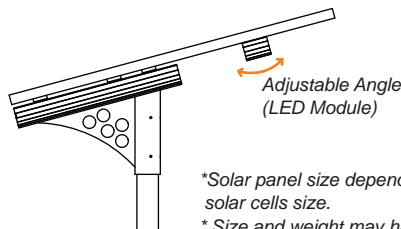
Wire Connector

IP68 Waterproof Connector

Packing & Weight

Product Size	: 975*670*125MM (Luminaire)
(Type A & Type B)	: 846*650*120.5MM (Bracket)
Packing Size	: 1055*750*225MM (Luminaire)
(Type A & Type B)	: 1900*770*170MM (Bracket)
Net Weight	
Luminaire	: 36.5KG (Type A) / 24.2KG (Type B)
Bracket	: 3.2KG (Type A & Type B)
Gross Weight	
Luminaire	: 39KG (Type A) / 26.7KG (Type B)
Bracket	: 3.9KG (Type A & Type B)

Mounting Bracket Type



Solar Panel

Type	: Imported High Efficiency Monocrystalline Silicon
Max Power	: 36V 70W (Type A & Type B)
Lifetime	: 25 Years

Battery

Type	: LiFePO4 Battery
Rating	: 25.6V 30AH
Lifetime	: 5 Years

LED Lamp

Max Power	: 40W
LED Chip	: Lumileds 5050
Chip Quantity	: 28 PCS
System Efficacy	: 130 - 190 lm/W
Total Lumen	: Typical 10,505 lm
Lifetime	: 100,000 Hours

Ingress Protection

IP66 Optical Compartment

Charge Time

By Sun : 4.5 Hours

Discharge Time

2 Cloud / Rainy Days / 24 hours

Working Temperature

Range : -25°C ~ +65°C

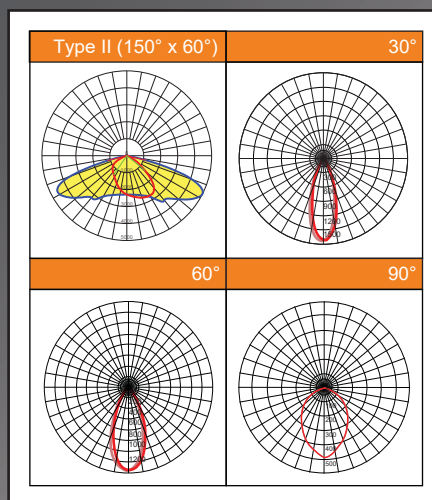
Colour Temperature

Range : 3000K - 6500K

Mounting Recommendation

Height	: 4 - 6M
Distance	: 16 - 25M

Light Distribution Curve



*Optional for GPRS/Zigbee/LoRaWAN Smart System

* Size and weight may have a tolerance of +-10%

JKC-R-60W Integrated Solar LED Floodlight/ Street Light

(Type A: 3 days autonomy / Type B: 2 days autonomy)



Casing Material

Aluminium Alloy

Dimming System

4H 100% + 2H 60% + 6H 40%

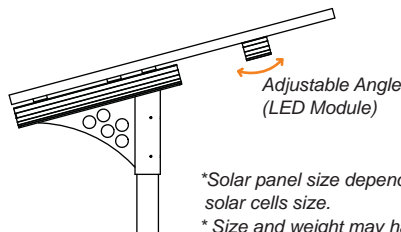
Wire Connector

IP68 Waterproof Connector

Packing & Weight

Product Size	: 1190*670*125MM (Luminaire)
(Type A & Type B)	: 846*650*120.5MM (Bracket)
Packing Size	: 1270*750*225MM (Luminaire)
(Type A & Type B)	: 1900*770*170MM (Bracket)
Net Weight	
Luminaire	: 40KG (Type A) / 36.5KG (Type B)
Bracket	: 3.2KG (Type A & Type B)
Gross Weight	
Luminaire	: 42.5KG (Type A) / 39KG (Type B)
Bracket	: 3.9KG (Type A & Type B)

Mounting Bracket Type



*Solar panel size depends on available solar cells size.

* Size and weight may have a tolerance of +-10%

Solar Panel

Type	: Imported High Efficiency Monocrystalline Silicon
Max Power	: 36V 135W (Type A & Type B)
Lifetime	: 25 Years

Battery

Type	: LiFePO4 Battery
Rating	: 25.6V 90AH (Type A) 25.6V 60AH (Type B)
Lifetime	: 5 Years

LED Lamp

Max Power	: 60W
LED Chip	: Lumileds 5050
Chip Quantity	: 48 PCS
System Efficacy	: 130 - 190 lm/W
Total Lumen	: Typical 10,505 lm
Lifetime	: 100,000 Hours

Ingress Protection

IP66 Optical Compartment

Charge Time

By Sun : 4.5 Hours

Discharge Time

3 Cloud / Rainy Days / 36 hours (Type A)
2 Cloud / Rainy Days / 24 hours (Type B)

Working Temperature

Range : -25°C ~ +65°C

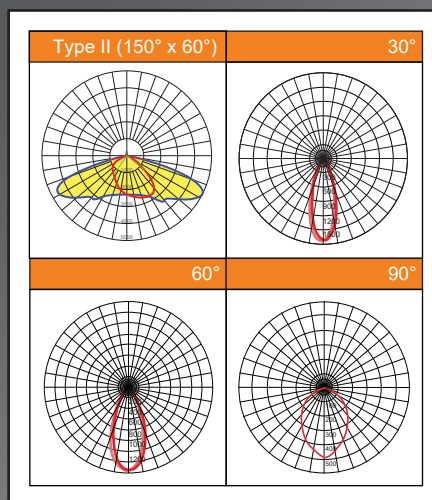
Colour Temperature

Range : 3000K - 6500K

Mounting Recommendation

Height : 6 - 8M
Distance : 23 - 30M

Light Distribution Curve



*Optional for GPRS/Zigbee/LoRaWAN Smart System

* Size and weight may have a tolerance of +-10%

JKC-R-80W Integrated Solar LED Floodlight/ Street Light

(Type A: 3 days autonomy / Type B: 2 days autonomy)



Casing Material

Aluminium Alloy

Dimming System

4H 100% + 2H 60% + 6H 40%

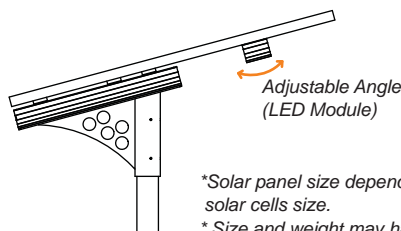
Wire Connector

IP68 Waterproof Connector

Packing & Weight

Product Size	: 1190*670*125MM (Luminaire)
(Type A & Type B)	: 846*650*120.5MM (Bracket)
Packing Size	: 1270*750*225MM (Luminaire)
(Type A & Type B)	: 1900*770*170MM (Bracket)
Net Weight	
Luminaire	: 60.5KG (Type A) / 37.7KG (Type B)
Bracket	: 4.2KG (Type A & Type B)
Gross Weight	
Luminaire	: 63KG (Type A) / 40.2KG (Type B)
Bracket	: 4.9KG (Type A & Type B)

Mounting Bracket Type



*Solar panel size depends on available solar cells size.

* Size and weight may have a tolerance of +-10%

Solar Panel

Type	: Imported High Efficiency Monocrystalline Silicon
Max Power	: 36V 135W (Type A & Type B)
Lifetime	: 25 Years

Battery

Type	: LiFePO4 Battery
Rating	: 25.6V 90AH (Type A) 25.6V 60AH (Type B)
Lifetime	: 5 Years

LED Lamp

Max Power	: 80W
LED Chip	: Lumileds 5050
Chip Quantity	: 48 PCS
System Efficacy	: 130 - 190 lm/W
Total Lumen	: Typical 14,850 lm
Lifetime	: 100,000 Hours

Ingress Protection

IP66 Optical Compartment

Charge Time

By Sun : 4.5 Hours

Discharge Time

3 Cloud / Rainy Days / 36 hours (Type A)
2 Cloud / Rainy Days / 24 hours (Type B)

Working Temperature

Range : -25°C ~ +65°C

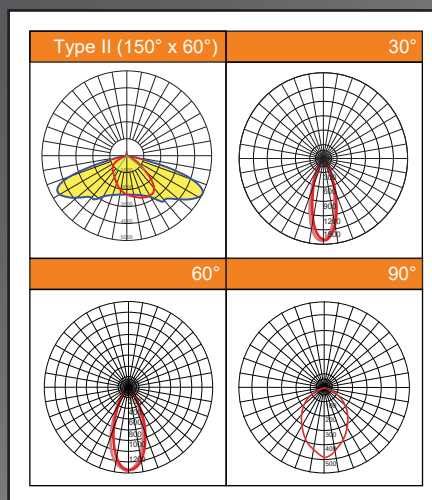
Colour Temperature

Range : 3000K - 6500K

Mounting Recommendation

Height : 8 - 10M
Distance : 23 - 30M

Light Distribution Curve



*Optional for GPRS/Zigbee/LoRaWAN Smart System

* Size and weight may have a tolerance of +-10%

JKC-R-100W Integrated Solar LED Floodlight/ Street Light

(Type A: 3 days autonomy / Type B: 2 days autonomy)



Casing Material

Aluminium Alloy

Dimming System

4H 100% + 2H 60% + 6H 40%

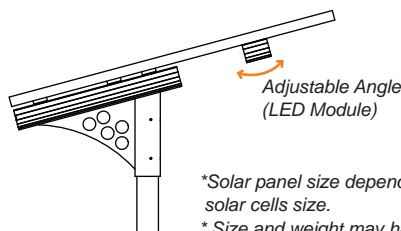
Wire Connector

IP68 Waterproof Connector

Packing & Weight

Product Size	: 1650*680*125MM (Luminaire)
(Type A & Type B)	: 846*650*120.5MM (Bracket)
Packing Size	: 1730*760*225MM (Luminaire)
(Type A & Type B)	: 1900*770*170MM (Bracket)
Net Weight	
Luminaire	: 68KG (Type A) / 40KG (Type B)
Bracket	: 4.2KG (Type A & Type B)
Gross Weight	
Luminaire	: 70.5KG (Type A) / 42.5KG (Type B)
Bracket	: 4.9KG (Type A & Type B)

Mounting Bracket Type



Solar Panel

Type	: Imported High Efficiency Monocrystalline Silicon
Max Power	: 36V 210W (Type A & Type B)
Lifetime	: 25 Years

Battery

Type	: LiFePO4 Battery
Rating	: 25.6V 120AH (Type A) 25.6V 90AH (Type B)
Lifetime	: 5 Years

LED Lamp

Max Power	: 100W
LED Chip	: Lumileds 5050
Chip Quantity	: 48 PCS
System Efficacy	: 130 - 190 lm/W
Total Lumen	: Typical 14,730 lm
Lifetime	: 100,000 Hours

Ingress Protection

IP66 Optical Compartment

Charge Time

By Sun : 4.5 Hours

Discharge Time

3 Cloud / Rainy Days / 36 hours (Type A)
2 Cloud / Rainy Days / 24 hours (Type B)

Working Temperature

Range : -25°C ~ +65°C

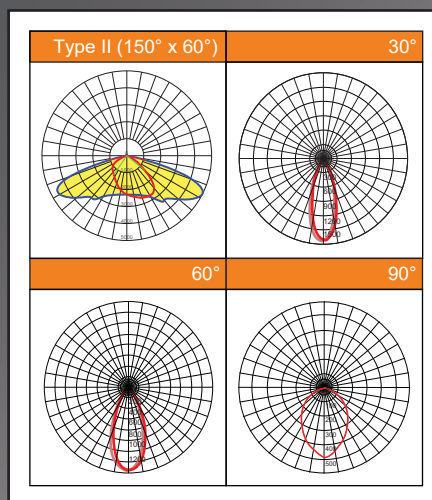
Colour Temperature

Range : 3000K - 6500K

Mounting Recommendation

Height : 9 - 12M
Distance : 23 - 34M

Light Distribution Curve



*Optional for GPRS/Zigbee/LoRaWAN Smart System

* Size and weight may have a tolerance of +-10%

JKC-R-120W Integrated Solar LED Floodlight/ Street Light

(Type A: 3 days autonomy / Type B: 2 days autonomy)



Casing Material

Aluminium Alloy

Dimming System

4H 100% + 2H 60% + 6H 40%

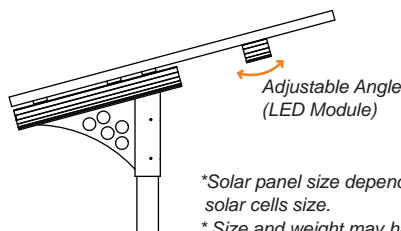
Wire Connector

IP68 Waterproof Connector

Packing & Weight

Product Size	: 1650*680*125MM (Luminaire)
(Type A & Type B)	: 846*650*120.5MM (Bracket)
Packing Size	: 1730*760*225MM (Luminaire)
(Type A & Type B)	: 1900*770*170MM (Bracket)
Net Weight	
Luminaire	: 72KG (Type A) / 63.5KG (Type B)
Bracket	: 6KG (Type A & Type B)
Gross Weight	
Luminaire	: 74.5KG (Type A) / 66KG (Type B)
Bracket	: 6.7KG (Type A & Type B)

Mounting Bracket Type



*Solar panel size depends on available solar cells size.
* Size and weight may have a tolerance of +-10%

Solar Panel

Type	: Imported High Efficiency Monocrystalline Silicon
Max Power	: 36V 210W (Type A & Type B)
Lifetime	: 25 Years

Battery

Type	: LiFePO4 Battery
Rating	: 25.6V 150AH (Type A) 25.6V 90AH (Type B)
Lifetime	: 5 Years

LED Lamp

Max Power	: 120W
LED Chip	: Lumileds 5050
Chip Quantity	: 48 PCS
System Efficacy	: 130 - 190 lm/W
Total Lumen	: Typical 16,968 lm
Lifetime	: 100,000 Hours

Ingress Protection

IP66 Optical Compartment

Charge Time

By Sun : 4.5 Hours

Discharge Time

3 Cloud / Rainy Days / 36 hours (Type A)
2 Cloud / Rainy Days / 24 hours (Type B)

Working Temperature

Range : -30°C ~ +70°C

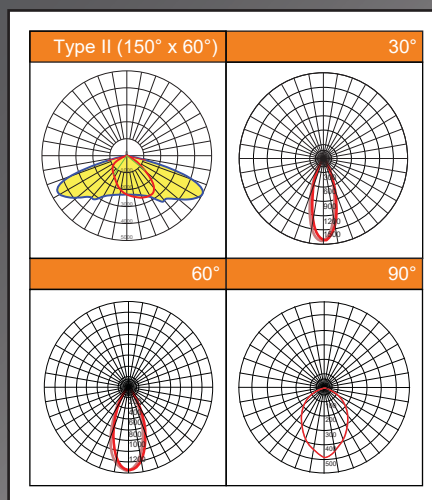
Colour Temperature

Range : 3000K - 6500K

Mounting Recommendation

Height : 9 - 12M
Distance : 30 - 38M

Light Distribution Curve



*Optional for GPRS/Zigbee/LoRaWAN Smart System

* Size and weight may have a tolerance of +-10%

JKC-R-150W Integrated Solar LED Floodlight/ Street Light

(Type A: 3 days autonomy / Type B: 2 days autonomy)



Solar Panel

Type : Imported High Efficiency Monocrystalline Silicon
 Max Power : 36V 310W (Type A & Type B)
 Lifetime : 25 Years

Battery

Type : LiFePO4 Battery
 Rating : 25.6V 150AH (Type A)
 : 25.6V 120AH (Type B)
 Lifetime : 5 Years

LED Lamp

Max Power : 150W
 LED Chip : Lumileds 5050
 Chip Quantity : 96 PCS
 System Efficacy : 130 - 190 lm/W
 Total Lumen : Typical 20,053 lm
 Lifetime : 100,000 Hours

Ingress Protection

IP66 Optical Compartment

Charge Time

By Sun : 4.5 Hours

Discharge Time

3 Cloud / Rainy Days / 36 hours (Type A)
 2 Cloud / Rainy Days / 24 hours (Type B)

Working Temperature

Range : -30°C ~ +70°C

Colour Temperature

Range : 3000K - 6500K

Mounting Recommendation

Height : 9 - 12M
 Distance : 35 - 40M

Casing Material

Aluminium Alloy

Dimming System

4H 100% + 2H 60% + 6H 40%

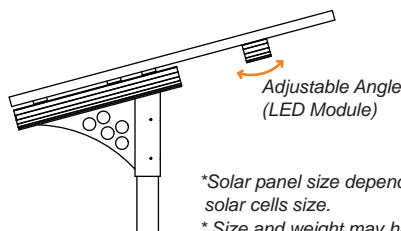
Wire Connector

IP68 Waterproof Connector

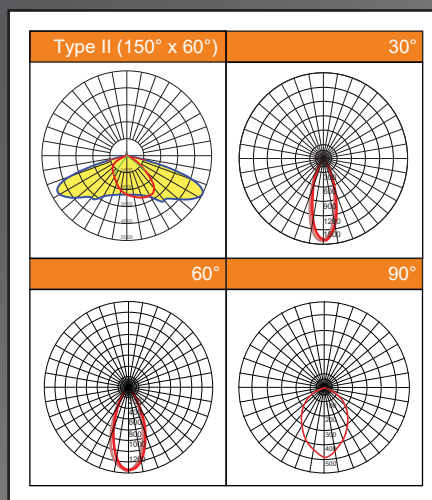
Packing & Weight

Product Size : 1650*990*125MM (Luminaire)
 (Type A & Type B) : 846*650*120.5MM (Bracket)
 Packing Size : 1730*1070*225MM (Luminaire)
 (Type A & Type B) : 1900*770*170MM (Bracket)
 Net Weight :
 Luminaire : 81.5KG (Type A) / 68KG (Type B)
 Bracket : 6KG (Type A & Type B)
 Gross Weight :
 Luminaire : 84KG (Type A) / 70.5KG (Type B)
 Bracket : 6.7KG (Type A & Type B)

Mounting Bracket Type



Light Distribution Curve



*Optional for GPRS/Zigbee/LoRaWAN Smart System

* Size and weight may have a tolerance of +-10%